

**Arlington Industries, Inc.**

1 Stauffer Ind. Park - Scranton, Pa. 18517

800-233-4717 Fax : 570-562-0646

www.aifittings.com - E-MAIL : sales @ aifittings.com

Manufacturers of Quality Electrical Products

**WARNING: TURN OFF POWER AT  
MAIN PANEL BOX**



w/ Grounding  
Lug

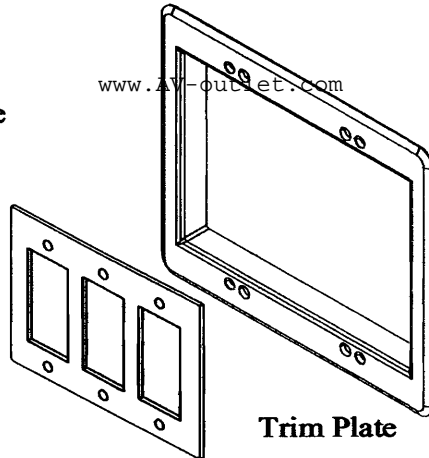
## Installation Instructions For: TVBU507

Listed for Use for Power and Low-Voltage Applications for New or Existing Construction  
(Such as Antenna, Phone and Cable TV)

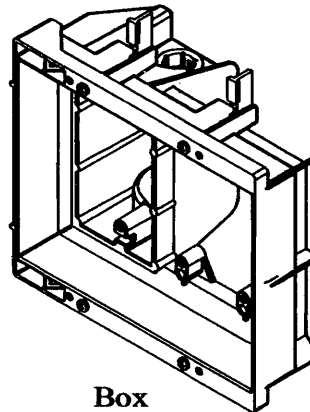
### Contents:

- (1) Box
- (1) Trim Plate
- (1) Rectangular Cover Plate
- (4) #6 x 1/2" Long Screws
- (2) #8 x 3" Long Screws
- (1) NM Cable Connector

Rectangular  
Cover Plate  
(Included)



Trim Plate



Box



(2) #8 X 3" Long Screw  
Box Holding Fastener

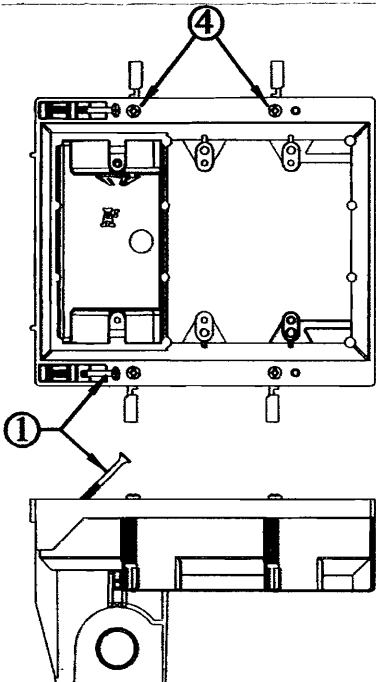


(4) #6-32 X 1/2" Long Screw  
Trim Plate Fastener



NM Cable Connector

If you have any questions or if parts are missing from your TVBU507, Please call our Customer Service Department at 1-800-233-4717. Do not call or return this product to your local store or distributor.



### For NEW Construction:

1. Insert (2) #8 x 3" Long Screws Through Angled Holes Located In Outer Section of Box (See Sketch).
2. Mount Box Section to Stud with Box Position Allowing For Wall Finish Thickness.
  - Install NM Cable Connector.
  - Pull Wires.
3. After Wall Surface is Complete, Wire Receptacle, Low-Voltage Devices and Attach Trim Plate and Cover Plate.
4. Tighten (4) 'Flag' Screws.

### For EXISTING Construction:

1. Attach Trim Plate to Box, using (4) #6 x 1/2" long Screws.
2. Cut 7" Wide x 6" High Hole In Finished Wall Surface.
3. Pull Wire and Install Wires into Box.
4. Install TVBU507 in Opening by Tightening the 'Flag' Screws through the Trim Plate.
5. Wire Receptacle, Low-Voltage Devices and Attach Cover Plate

**WARNING: Make sure power is OFF at main panel box before installing.**

**NOTE: All Wiring Must be According to NEC, State and Local Codes.**