



## 19.5" Low-Profile Support Just for Outdoor Light Fixtures

For use with light fixtures exclusively. Accommodates most fixture styles. UV rated plastic for long outdoor life. Four non-chipping colors.



CATALOG NUMBER	UPC/DCI/NAED MFG #01 8997	DESCRIPTION	UNIT PKG	STD PKG	DIM A	DIM B	DIM C
GPL19B	77000	Black	1	6	7.125	2.250	19.500
GPL19BR	77001	Bronze	1	6	7.125	2.250	19.500
GPL19G	77002	Green	1	6	7.125	2.250	19.500
GPL19W	77003	White	1	6	7.125	2.250	19.500

PATENTED. ADDITIONAL PATENTS PENDING.



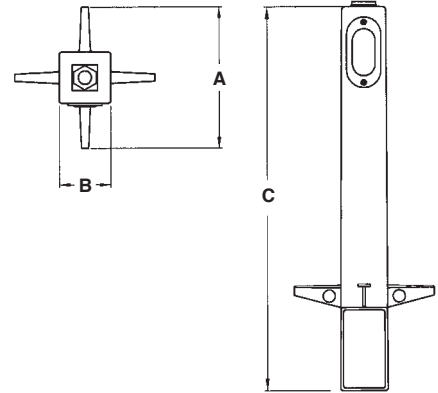
CSA listed with grounding lug.

E170558 LR49636

### Features and Benefits

- Molded-in color is permanent – unlike painted posts where lawn equipment chips the color off
- Streamline design...one of our most competitively priced 19.5" GARD-N-POSTs
- Removable 1/2" KO in cover for photocell installation
- Metal bushing with ground wire for 2- or 3-wire fixtures
- Resists damage from lawn equipment

See page J-10 for our Outdoor Light Fixtures designed for the GARD-N-POST line!



### Comes complete with...

Access panel cover, gasket, installed 3/4" x 1/2" NPT metal grounding bushing and locknut with copper ground wire for fixture installation.