



**HOLE SAW BOX™**  
**for Device**  
**Retrofit Construction**  
**17.6 Cu. In. Volume**

Non-metallic, 3-1/4" diameter scone/device box for existing construction. Fits duplex receptacles and most GFCIs.

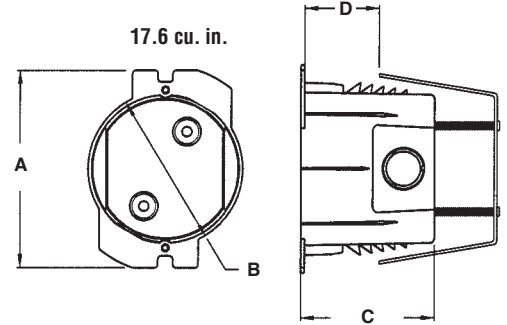


CATALOG NUMBER	UPC/DCI/NAED MFG #01 8997	DESCRIPTION/ ATTACHMENT	UNIT PKG	STD PKG	DIM A	DIM B	DIM C	DIM D
FSC3227R	12525	Retrofit / Screws, Bracket	25	25	4.100	3.220	2.780	1.540

PATENT PENDING.



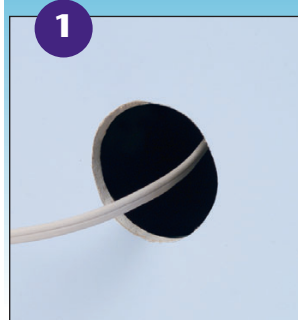
**SAVES TIME!**  
*Quick, super-easy installation with a hole saw.*



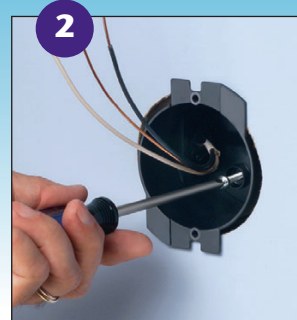
**Features and Benefits**

- Ready to use, easy to install
- 17.6 cu. inch *SUPER-SIZE* capacity
- No loose parts – self-contained
- Ships with installed NM cable connector and captive fixture bracket installation screws
- Saves time – installs with a 3-1/4" standard hole saw
- Saw teeth cut a path through the drywall for the device screws and hold the device firmly in place
- Rated for light duty 3 lb. fixtures
- Two hour fire rating

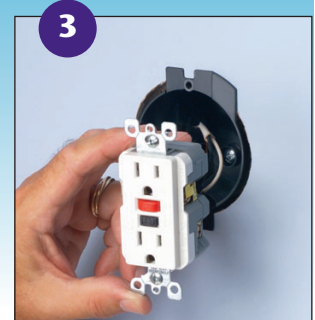
**Installation Instructions**



1 Cut hole with a 3-1/4" standard hole saw and pull wire. Push box through drywall. Built-in "teeth" create a path for device screws.



2 Pull NM cable through installed connector. Tighten bracket screws inside box to seat bracket securely against drywall.



3 Install device (GFI shown) and provided maxi-size cover plate.