

Low Profile IN BOX™ for New Vinyl Siding Construction

One-piece, recessed electrical box with weatherproof-in-use cover for new siding applications. Non-metallic cover and base. Accepts most single gang wiring devices and uses standard indoor wall plates or a GFCI cover plate. Box and white cover are textured/paintable. UV rated plastic for long outdoor life.



See page K-8 for our NEW 2-Gang style!

DBVS1C



DBHS1W

Features and Benefits

- IN BOX's one-piece assembly replaces the installation of an electrical box, siding block, and bubble cover assembly
- Installs in the wall, so less of it shows outside
- Outer flange covers cut ends of siding
- Install option: Cover is removable for easier device installation
- No gaskets required



Bug Plugs ship installed in all IN BOX styles to seal unused cord hole openings.

CATALOG NUMBER	UPC/DCI/NAED MFG #018997	ORIENTATION/COVER COLOR	SIDING TYPE	UNIT PKG	STD PKG	DIM A	DIM B	DIM C	DIM D	DIM E
DBVS1C	14317	Vertical/Clear	All Types	1	4	9.058	7.012	5.160	1.313	2.879
DBVS1W	14318	Vertical/White	All Types	1	4	9.058	7.012	5.160	1.313	2.879
DBHS1C	77600	Horizontal/Clear	All Types	1	4	7.012	9.058	5.160	1.313	2.879
DBHS1W	77602	Horizontal/White	All Types	1	4	7.012	9.058	5.160	1.313	2.879

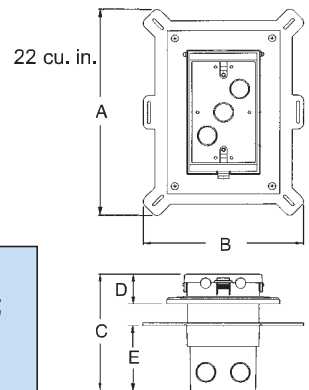
Add suffix "GC" to Catalog # when ordering in Canada, for example DBVS1CGC.

Replacement covers available on page K-17.
2-Gang style available on page K-8.



E170558 LR49636

WEATHERPROOF-IN-USE



IN BOX for new siding includes...

Box with weatherproof-in-use cover; installed bug plugs; (1) standard duplex and (1) standard GFCI face plate; installation screws; and (1) NM cable connector.

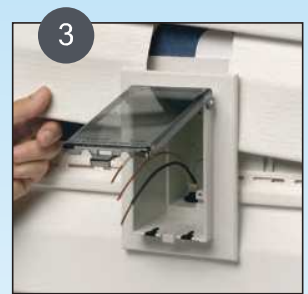
Installation Instructions



1 Cut a 3-1/4" x 5-1/2" hole in substrate. Pull wiring.



2 Install NM cable connector and wire, attach IN BOX to substrate.



3 Install siding, inserting the cut ends of the siding under the outer flange of the IN BOX.



4 Install wiring device per manufacturer's instructions, Local and National Electrical Codes.



Accepts most single gang wiring devices and uses a standard indoor wall plate.



Completed installation with weatherproof-in-use cover. DBVS1C shown.

Note: Meets 2011 NEC Section 406-9; for the protection of exterior outlets which require the use of a weatherproof while-in-use cover for all outdoor 15 or 20 AMP receptacles.

Scan For Video

