



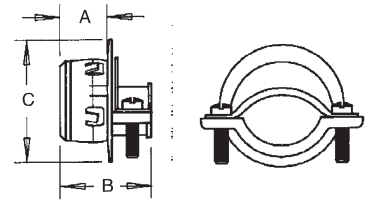
SNAP-TITE® Connector

With spring steel clip.
For NM • SE cable.
Zinc die-cast.



CATALOG NUMBER	UPC/DCI/NAED MFG #018997	TRADE SIZE	KO SIZE	UNIT PKG	STD PKG	DIM A	DIM B	DIM C	CABLE RANGE
842ST	80084	3/4	3/4	50	500	.510	1.070	1.200	.300 - .780

SNAP-TITE® products have been tested and listed by UL in accordance with UL's ground fault requirements. For additional information see page 6.



Cable Connectors

For NM • SE • MCI • MCIA • AC cable. For steel and aluminum jacketed cables. Zinc die-cast.



840



8400



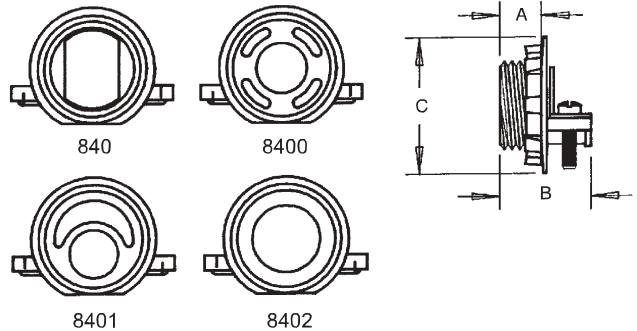
8401

CATALOG NUMBER	UPC/DCI/NAED MFG #018997	TRADE SIZE	KO SIZE	UNIT PKG	STD PKG	DIM A	DIM B	DIM C	CABLE RANGE
840*	00840	3/8	1/2	100	1000	.422	.825	1.105	.225 - .612
8400*	08400	3/8	1/2	100	1000	.422	.825	1.105	.225 - .612
8401*	08401	3/8	1/2	100	1000	.422	.825	1.105	.225 - .612
8402	08402	3/4	3/4	50	500	.533	1.093	1.395	.375 - .780

Refer to pages C-13 and C-14 for complete cable ranges.

*Listed for MCI only. UL# E123751.

†For connectors that cost less and install faster see page C-8.



Combination Coupling

EMT to NM. Zinc die-cast.



CATALOG NUMBER	UPC/DCI/NAED MFG #018997	TRADE SIZE	UNIT PKG	STD PKG	DIM A	DIM B	CABLE RANGE
8600	08600	1/2	50	500	1.162	1.090	.250 - .612

