

Siding Mounting Kits with Built-in Box

For smooth vertical mounting of light fixtures on all siding types. Kit includes mounting block with built-in electrical box, NM cable connector, and 4 screws. Paintable, UV rated plastic for long outdoor life.

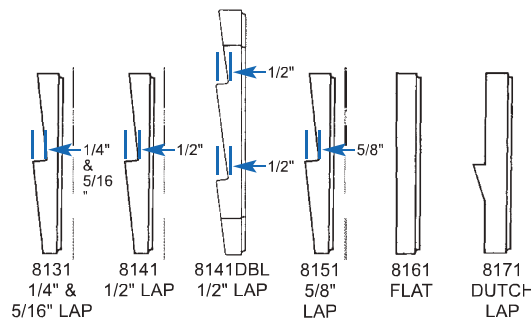
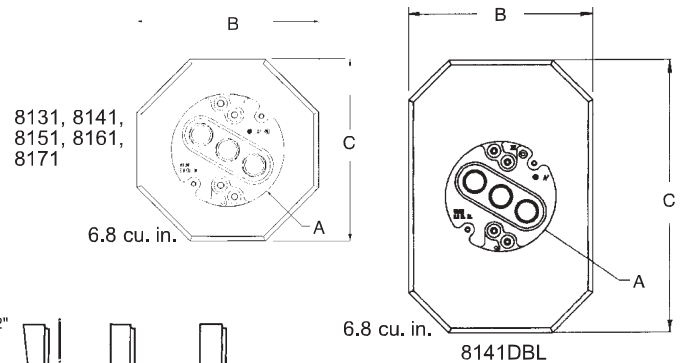


| CATALOG NUMBER | UPC/DCI/NAED MFG #018997 | SIDING TYPE | UNIT | STD PKG | DIM A | DIM B | DIM C |
|----------------|--------------------------|--------------------------------|------|---------|-------------------------|-------|--------|
| 8131 | 08131 | 1/4" & 5/16" Siding & Shingles | 1 | 10 | 4" DIAMETER X 1/2" DEEP | 6.625 | 6.625 |
| 8141 | 10751 | 1/2" Lap | 1 | 10 | 4" DIAMETER X 1/2" DEEP | 6.625 | 6.625 |
| 8141DBL | 54524 | 1/2" Lap Double | 1 | 10 | 4" DIAMETER X 1/2" DEEP | 6.900 | 10.200 |
| 8151 | 10753 | 5/8" Lap | 1 | 10 | 4" DIAMETER X 1/2" DEEP | 6.625 | 6.625 |
| 8161 | 08161 | Flat Surfaces | 1 | 10 | 4" DIAMETER X 1/2" DEEP | 6.625 | 6.625 |
| 8171 | 10757 | Dutch Lap | 1 | 10 | 4" DIAMETER X 1/2" DEEP | 6.625 | 6.625 |

Add suffix "GC" to Catalog # when ordering in Canada, for example 8141GC.



E170558 LR49636



Features and Benefits

- Mounts light fixtures on all siding types, including T-111, HardiePlank® Lap Siding, and flat surfaces
- Fast and easy to install...after siding is up
- Textured, paintable surface
- NM cable connector included
- Built-in electrical box design ensures UL listed installation

Installation Instructions

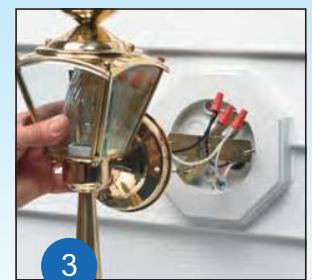
on Siding



1 Select location for light fixture and caulk opening around cable.



2 Remove knockout from electrical box and insert cable connector. Push cable through connector and position mounting block onto siding.



3 Secure mounting block with provided screws. Install fixture per manufacturer's instructions.