

Twin Screw All-Purpose Connector

For Flex • AC • MCI • NM
cable. Zinc die-cast.

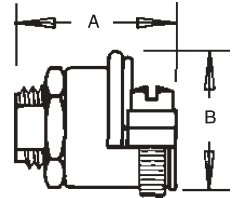


CATALOG NUMBER	UPC/DCI/NAED MFG #018997	TRADE SIZE	KO SIZE	UNIT PKG	STD PKG	DIM A	DIM B	DIM C	CABLE RANGE	END STOP DIAMETER
4200	04200	3/8	1/4	25	25	1.040	.920	.225 - .612	.380	

Refer to chart on page E-23 for a list of cable types.
Concrete tight when taped.

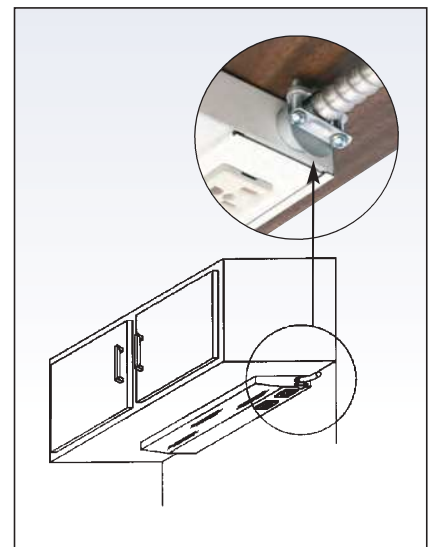


LR49636 E135384



The 4200...

- Allows you to securely hold cables in low profile height fixtures with 1/4" knockouts.
- Fits both standard round 1/4" KO (17/32" diameter) and 5/8" diameter KO with flats.
- Is furnished with 1/4-18 n.p.s. fixture nut for easy tightening.
- Is recommended for use with non-metallic sheathed cable, AC, flexible metal conduit, MC cable both steel and aluminum jacketed.
- Is primarily for use with low silhouette under-cabinet fluorescent fixtures.
- Normally only one fitting is supplied with lighting fixtures. Additional connectors are needed when multiple fixtures are wired in-line.



Flex • AC • MC

Twin Screw All-Purpose Connectors

For Flex • AC • MCI • NM
cable. Zinc die-cast.



CATALOG NUMBER	UPC/DCI/NAED MFG #018997	TRADE SIZE	KO SIZE	UNIT PKG	STD PKG	DIM A	DIM B	DIM C	CABLE RANGE	END STOP DIAMETER
4201	04201	1/2	1/2	25	250	1.437	1.100	.609	.630-.810	.615
4202	04202	3/4	3/4	20	200	1.500	1.275	.815	.830-1.090	.820
4203	04203	1	1	10	50	1.740	1.619	.985	1.00-1.365	.985
4204	04204	1-1/4	1-1/4	5	25	1.625	1.875	.375	1.385-1.640	1.365

Refer to chart on page E-23 for a list of cable types.
Concrete tight when taped.

Add suffix "A" to catalog number for insulated throat.



E60812 LR49636

