

## PIPE & CONDUIT CLAMPS

*Power-Strut pipe, conduit and O.D. tubing clamps are formed in punch press dies in a wide selection of sizes to meet every requirement.*

### MATERIAL:

Power-Strut pipe, conduit and O.D. tubing clamps are made on punch press dies from hot rolled, pickled and oiled steel which conforms to the ASTM A-1008, A-1011 SS, A-575 and A-576 standards. Select sizes of O.D. tubing clamps are available in stainless steel or aluminum.

### STANDARD FINISH:

All steel clamps are electro-galvanized. Select sizes of O.D. tubing clamps are available in copper plated finish. PVC coatings are available upon special request.

### ORDERING INFORMATION:

When ordering, add the length or size and finish to the part number. See pages 8-9 for finish abbreviations and an example.

### RECOMMENDED BOLT TORQUE:

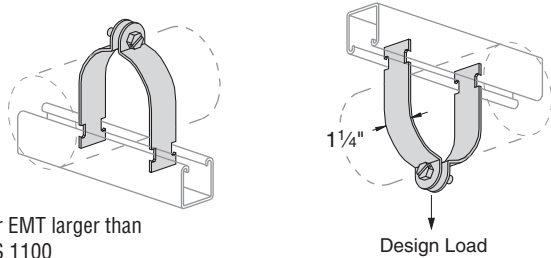
Bolt Size	1/4"-20	5/16"-18	3/8"-16	1/2"-13	5/8"-11	3/4"-10
Rec. Torque Ft/Lbs	6	11	19	50	100	125
Max. Torque Ft/Lbs	7	15	25	70	125	135

# PIPE & CONDUIT CLAMPS

Finish: Electro-galvanized Order By: No., and Finish



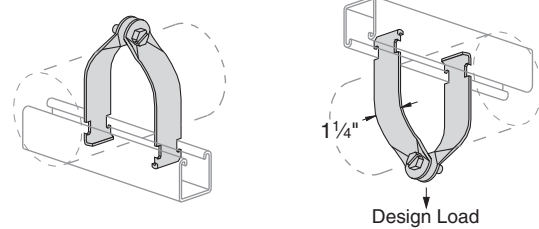
## PS 1000 – EMT Conduit Clamp



Note: For EMT larger than 2" use PS 1100

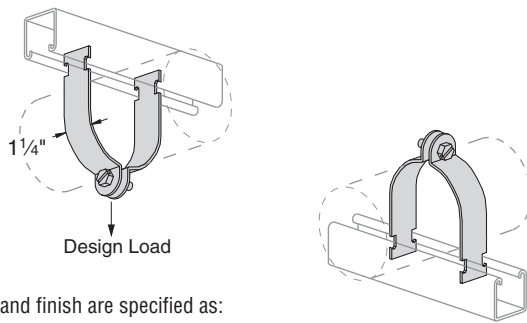
EMT Size	Stock Thickness	Hanging Load Rating/lbs.	Wt./100 pcs
1/2"	.060	400	11
3/4"			12
1"	.075	600	15
1 1/4"			18
1 1/2"	.105	800	29
2"			33

## PS 1300 – Universal Clamp for EMT, IMC & GRC



Nominal Size	Fits O.D.	Stock Thickness	Hanging Load Rating/lbs.	Wt./100 pcs
1/2"	0.706-0.840	.060	250	10
3/4"	0.922-1.050	.060	400	11
1"	1.163-1.315			12
1 1/4"	1.510-1.660	.075	400	18
1 1/2"	1.740-1.900	.075	500	20
2"	2.197-2.375			22

## PS 1100, PS 1116, PS 1117 – Standard Pipe Clamp (GRC, IMC and SCH 40/SCH 80 steel pipe)

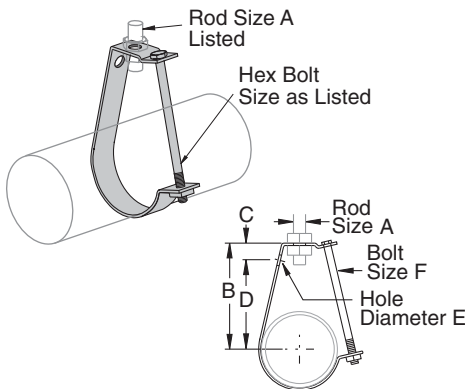


Material and finish are specified as:

- 1100 AL Alum. clamp, EG fasteners
- 1100 HG Clamp, Stainless Steel fasteners
- 1116 Alum. clamp and fasteners
- 1117 Alum. clamp, Stainless Steel fasteners
- 1100SS Stainless Steel clamp and fasteners

Pipe Size	Stock Thickness	Hanging Load Rating/lbs.	Wt./100 pcs
3/8"	.060	400	10
1/2"			11
3/4"	.075	600	15
1"			17
1 1/4"			19
1 1/2"	.105	800	29
2"			34
2 1/2"			40
3"			47
3 1/2"	.125	1,000	62
4"			67
5"			80
6"			102
8"			130
10"	.135	1,000	143
12"			174

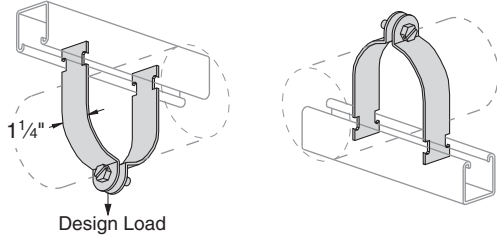
## PS 67 – "J" Pipe or Conduit Hanger



**Notes:**  
 Plastic Coated hanger is available ("N" Suffix).  
 Please contact factory for additional information.  
 Maximum operating temperature is 300°F  
 Minimum safety factor of five (5) on ultimate load.

Conduit Size	A Rod Size	B	C	D	E	F	Load Rating/lbs.	Wt./100 pcs
1/2"	3/8	2 5/8	1	2	1 3/32	1/4 x 2 1/4	400	20
3/4"		2 7/8		2 1/4				21
1"		3		2 3/8		1/4 x 2 1/2		24
1 1/4"		3 1/4		2 1/2		1/4 x 2 3/4		27
1 1/2"	1/2	3 1/2	1 1/8	2 5/8	9/16	1/4 x 3	800	29
2"		3 3/4		2 5/8		1/4 x 3 1/2		33
2 1/2"		4 3/8		3 5/8		3/8 x 4 1/2		71
3"		4 7/8		4		3/8 x 5		78
3 1/2"	5/8	5 1/8	1 1/8	4 1/4	5/16	3/8 x 6	1,200	85
4"		6 1/8		5 1/8		3/8 x 7 1/2		178
5"		6 3/4		5 3/4		3/8 x 8 1/2		199
6"		7 3/4		1 1/4		6 1/2		3/8 x 10
8"	7 7/8	9 1/4	1 1/4	8			449	

## PS 1200 – O.D. Tubing Clamp



Please contact factory for sizes & finishes not shown.

**Note:** Additional Available Finishes  
 SS - Stainless Steel  
 CC - Copper Coated

O.D. Size	Stock Thickness	Hanging Load Rating/lbs.	Wt./100 pcs
1/4"	.060	400	8
3/8"			8
1/2"			9
5/8"			10
3/4"			11
7/8"			12
1"	.075	600	14
1 1/8"			15
1 1/4"			16
1 3/8"			17
1 1/2"			18
1 5/8"			19
1 3/4"	.105	800	29
1 7/8"			28
2"			31
2 1/8"			32
2 1/4"			33
2 3/8"			34
2 1/2"			35
2 5/8"			37
2 3/4"			38
2 7/8"			40
3"	41		

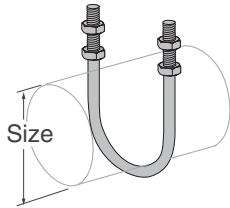
O.D. Size	Stock Thickness	Hanging Load Rating/lbs.	Wt./100 pcs
3 1/8"	.105	800	43
3 1/4"			45
3 3/8"			46
3 1/2"			47
3 5/8"			56
3 3/4"			58
3 7/8"	.125	1,000	60
4"			62
4 1/8"			62
4 1/4"			64
4 3/8"			66
4 1/2"			67
4 5/8"			70
4 3/4"			72
4 7/8"			73
5"			74
5 1/8"	76		
5 1/4"	77		
5 3/8"	78		
5 1/2"	79		
5 5/8"	.135	1,000	88
5 3/4"			90
5 7/8"			92

O.D. Size	Stock Thickness	Hanging Load Rating/lbs.	Wt./100 pcs
6"	.135	1,000	94
6 1/8"			96
6 1/4"			98
6 3/8"			99
6 1/2"			100
6 5/8"			102
6 3/4"			104
6 7/8"			106
7"			108
7 1/8"			110
7 1/4"			112
7 3/8"			114
7 1/2"			116
7 5/8"			117
7 3/4"			119
7 7/8"			121
8"	123		
8 1/8"	125		
8 1/4"	126		
8 3/8"	128		
8 1/2"	129		
8 5/8"	130		



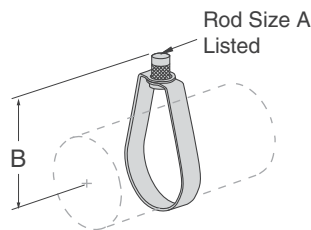
Pipe & Conduit Clamps

## PS 137 – Long Tangent “U” Bolt



Size	Wt./100 pcs
1/2"	21
3/4"	28
1"	29
1 1/4"	31
1 1/2"	33
2"	36
2 1/2"	78
3"	88
3 1/2"	94
4"	102

## PS 69 – E-Z Grip Hanger



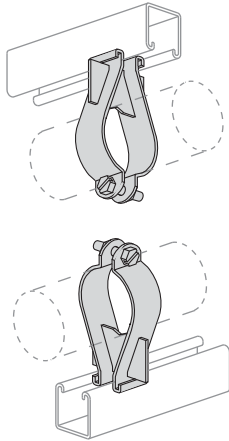
Size	A Rod Size	B	Load Rating Lbs/650	Wt./100 pcs
1/2"	3/8"	2 1/4"	300	9
3/4"		2 5/16"		9
1"		2 7/16"		10
1 1/4"		2 5/8"		10
1 1/2"		2 3/4"		10
2"		3 1/4"		11
2 1/2"	4"	4 3/8"	525	25
3"				27
4"	1/2"	4 1/16"	600	48
5"		5 5/16"		1000
6"		6 7/16"	100	
7"		8"	100	

# PIPE & CONDUIT CLAMPS

Finish: Electro-galvanized Order By: No., and Finish

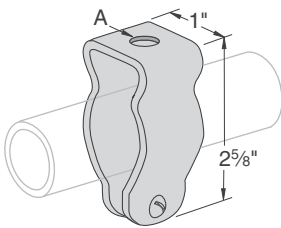


## PS 3138 – Parallel Run Pipe Clamp



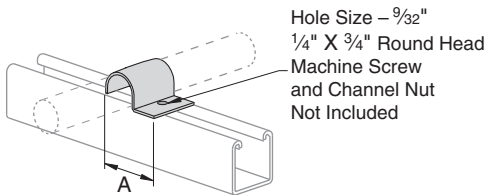
Pipe Size	Load Rating/lbs.	Wt./100 pcs
3/8"	300	27
1/2"		29
3/4"		30
1"	400	31
1 1/4"		38
1 1/2"	500	40
2"		47
2 1/2"		66
3"		78
3 1/2"		87
4"	90	

## PS 270 – Conduit Clamp



Size	A Diameter	Wt./100 pcs
3/8"	1/4"	6
1/2"		6
3/4"		8
1"		9
1 1/4"		11
1 1/2"		19
2"		27

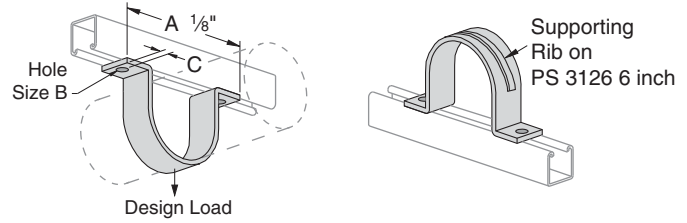
## PS 1450 – One-Hole Clamp for O.D. Tubing



Hole Size – 9/32"  
1/4" X 3/4" Round Head  
Machine Screw and Channel Nut  
Not Included

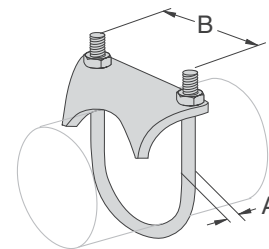
O.D. Size	A	Thickness Gages	Wt./100 pcs
1/4"	1 3/16"	16	4
3/8"	1 5/16"		5
1/2"	1 7/16"		6
5/8"	1 5/8"	14	8
3/4"	1 3/4"		9
7/8"	1 7/8"		10
1"	2"		11

## PS 3126 – One-Piece Pipe Strap



Pipe Size	A	B	C	Design Load/lbs.	Wt./100 pcs
1/2"	2 7/8"	9/32"	7/16"	500	23
3/4"	3 1/8"				26
1"	3 3/8"				31
1 1/4"	3 3/4"				35
1 1/2"	3 7/8"				39
2"	5 3/4"	7/16"	1 1/16"	1,000	94
2 1/2"	6 1/4"				114
3"	6 7/8"				133
3 1/2"	7 3/8"				152
4"	7 7/8"				176
5"	9"				198
6"	10"	225			

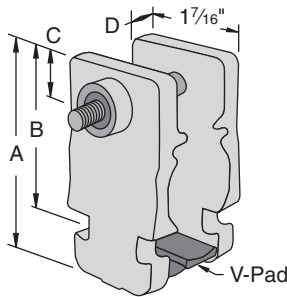
## PS 51 – Right Angle Pipe or Conduit Clamp



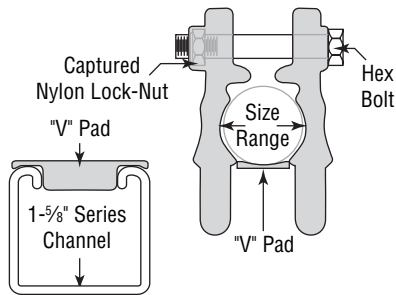
Material: Malleable Iron

Size	A Diameter	B	Wt./100 pcs
3/8"	5/16"	1 5/16"	25
1/2"		1 3/16"	41
3/4"		1 7/16"	42
1"		1 11/16"	47
1 1/4"		2"	54
1 1/2"	3/8"	2 5/16"	57
2"		2 3/16"	85
2 1/2"		3 3/8"	106
3"		4 1/8"	110
3 1/2"		4 5/8"	128
4"		5 1/8"	140

## PS TP-025 thru PS TP-100 – Cush-A-Grip®



Part No.	Nominal Pipe Size	Dimensions (In.)				Hex Head Cap Screw & Lock Nut	Wt/100 pcs Lbs
		"A"	"B"	"C"	"D"		
PS TP-025	1/4	1 <sup>5</sup> / <sub>16</sub>	1 <sup>3</sup> / <sub>8</sub>	3/8	3/16	1/4-20 x 1 1/2"	4
PS TP-625	3/8	2 <sup>3</sup> / <sub>8</sub>	1 <sup>5</sup> / <sub>8</sub>	7/16	1/4	1/4-20 x 2"	6
PS TP-875	1/2	2 <sup>9</sup> / <sub>16</sub>	1 <sup>13</sup> / <sub>16</sub>		5/16		8
PS TP-100	3/4	2 <sup>11</sup> / <sub>16</sub>	1 <sup>5</sup> / <sub>8</sub>		5/16		8



**Includes:** Cushion, V-pad, and Hardware.  
**Materials:** Cushion: Thermoplastic elastomer.  
**Hardware:** Stainless Steel with Captured Nylon Locknut  
**Temperature Rating:** -40°F to +275°F

### Tube Sizes

Part No.	O.D. Tube Sizes			Diameters	PullOut Load/Lbs	Slip Load/Lbs
PS TP-025	1/4	3/8	1/2	0.25 - 0.54	500	40
PS TP-625	5/8	3/4	7/8	0.62 - 0.87		
PS TP-875	7/8	1	1 1/8	0.87 - 1.12		
PS TP-100	1	1 1/8	1 1/4	1.00 - 1.31		

### Pipe Sizes

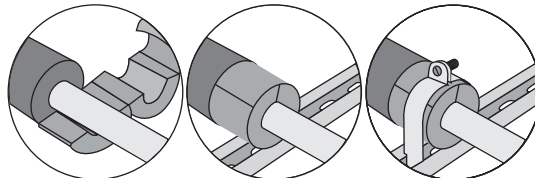
Part No.	Nominal Pipe Sizes		Diameters	PullOut Load/Lbs	Slip Load/Lbs
PS TP-025	1/4		0.25 - 0.54	500	40
PS TP-625	3/8	1/2	0.62 - 0.87		
PS TP-875	3/4		0.87 - 1.12		
PS TP-100	3/4	1	1.00 - 1.31		



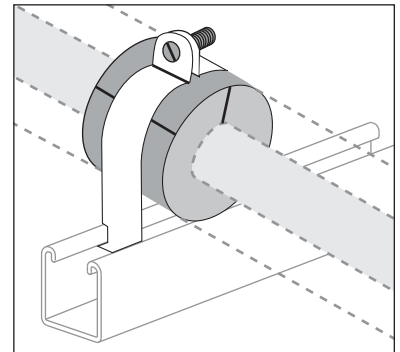
## PS CT-3/8 thru PS CT1-4-1/8 – Cush-A-Therm™

The only airtight, crush-resistant insulation clamp on the market.

- Maintains thermal barrier protection
- Prevents condensation
- Properly supports pipe and tube
- Absorbs vibration



1. Insulation slides over pipes
2. Pipe hanger inserts are put in place and glued to insulation.
3. Joints are wrapped and sealed with ProTape.



### Nominal 3/4" Wall

Part No.	Hole Size	Copper Nom. I.D.	O.D.	IPS	O.D.	Length
PS CT-3/8	3/8 ID	1/4	3/8	-	1.81	2.17
PS CT-1/2	1/2 ID	3/8	1/2	1/4	1.89	
PS CT-5/8	5/8 ID	1/2	5/8	3/8	2.05	
PS CT-3/4	3/4 ID	5/8	3/4	-	2.22	
PS CT-7/8	7/8 ID	3/4	7/8	1/2	2.44	
PS CT-1-1/8	1 1/8 ID	1	1 1/8	3/4	2.76	2.56
PS CT-1-3/8	1 3/8 ID	1 1/4	1 3/8	1	3.19	
PS CT-1-5/8	1 5/8 ID	1 1/2	1 5/8	1 1/4	3.35	
PS CT-2-1/8	2 1/8 ID	2	2 1/8	-	3.86	2.96
PS CT-2-1/2	2 1/2 ID	2 1/4	2 3/8	2	4.29	
PS CT-2-5/8	2 5/8 ID	2 1/2	2 5/8	-	4.87	
PS CT-3-1/8	3 1/8 ID	3	3 1/8	-	5.00	3.35
PS CT-3-5/8	3 5/8 ID	3 1/2	3 5/8	-	5.94	3.94
PS CT-4-1/8	4 1/8 ID	4	4 1/8	3 1/2	6.14	

### Nominal 1" Wall

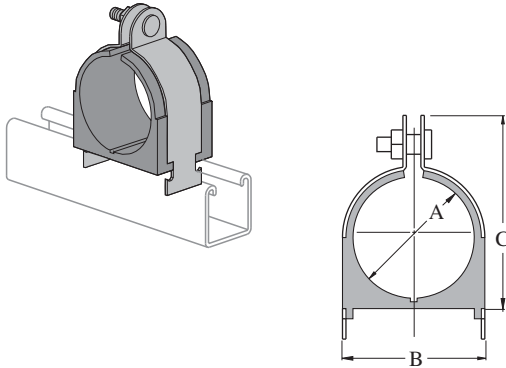
Part No.	Hole Size	Copper Nom. I.D.	O.D.	IPS	O.D.	Length
PS CT1-5/8	5/8 ID	1/2	5/8	3/8	2.54	2.17
PS CT1-3/4	3/4 ID	5/8	3/4	-	2.82	
PS CT1-7/8	7/8 ID	3/4	7/8	1/2	2.82	
PS CT1-1-1/8	1 1/8 ID	1	1 1/8	3/4	3.06	2.56
PS CT1-1-3/8	1 3/8 ID	1 1/4	1 3/8	1	3.33	
PS CT1-1-5/8	1 5/8 ID	1 1/2	1 5/8	1 1/4	3.65	
PS CT1-2-1/8	2 1/8 ID	2	2 1/8	-	4.16	2.96
PS CT1-2-3/8	2 3/8 ID	2 1/4	2 3/8	2	3.92	
PS CT1-2-5/8	2 5/8 ID	2 1/2	2 5/8	-	4.87	2.96
PS CT1-3-1/8	3 1/8 ID	3	3 1/8	-	5.14	3.35
PS CT1-3-5/8	3 5/8 ID	3 1/2	3 5/8	-	6.48	3.94
PS CT1-4-1/8	4 1/8 ID	4	4 1/8	3 1/2	6.48	

# PIPE & CONDUIT CLAMPS

Finish: Electro-galvanized Order By: No., and Finish



## PS 004T – PS 106N – Cush-a-Clamp® Assembly Pipe & Tube Series



**Clamp:** Electro-galvanized or stainless steel

**Cushion:** Thermoplastic elastomer resistant to the effects of most oils, chemicals and industrial cleaning compounds in temperatures from -50°F to 275°F.  
UV Resistant

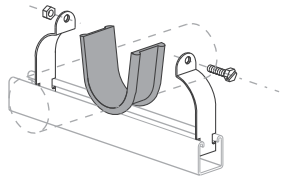
**Includes:** Cushion, Clamp and Hardware

**Controlled Squeeze:** Parts with the letter "T" have a Controlled Squeeze shoulder Bolt. Available on tube sizes 1/4" thru 1 3/8"

Pipe Series					
Part No.	Pipe Size (Nominal)	Dimensions			Wt./100 pcs
		A	B	C	
PS 009N	1/4"	0.54	0.98	1.34	13
PS 011N	3/8"	0.67	1.13	1.54	14
PS 014N	1/2"	0.84	1.29	1.82	15
PS 017N	3/4"	1.05	1.50	2.08	17
PS 021N	1"	1.31	1.76	2.34	19
PS 027N	1 1/4"	1.66	2.17	2.73	35
PS 030N	1 1/2"	1.90	2.35	2.86	41
PS 038N	2"	2.37	2.82	3.67	49
PS 046N	2 1/2"	2.87	3.32	4.17	57
PS 056N	3"	3.50	3.95	4.79	55
PS 064N	3 1/2"	4.00	4.45	5.42	88
PS 072N	4"	4.50	4.95	5.92	110
PS 089N	5"	5.56	6.01	6.92	130
PS 106N	6"	6.62	7.07	8.23	140

Tube Series						
Part No.	Copper & Steel Tube O. D. Size	Copper Water Pipe (Nominal)	Dimensions			Wt./100 pcs
			A	B	C	
PS 004T	1/4"		0.25	0.62	0.98	10
PS 006T	3/8"	1/4"	0.37	0.82	1.13	11
PS 008T	1/2"	3/8"	0.50	0.94	1.34	13
PS 010T	5/8"	1/2"	0.62	1.06	1.54	14
PS 012T	3/4"	5/8"	0.75	1.2	1.68	14
PS 014T	7/8"	3/4"	0.87	1.31	1.82	15
PS 016T	1"		1.00	1.44	1.95	17
PS 018T	1 1/8"	1"	1.12	1.57	2.08	18
PS 020T	1 1/4"		1.25	1.70	2.21	18
PS 022T	1 3/8"	1 1/4"	1.37	1.82	2.34	20
PS 024N	1 1/2"		1.50	1.95	2.47	33
PS 026N	1 5/8"	1 1/2"	1.62	2.07	2.60	35
PS 028N	1 3/4"		1.75	2.20	2.73	37
PS 030N	1 7/8"		1.87	2.32	2.86	39
PS 032N	2"		2.00	2.45	3.04	41
PS 034N	2 1/8"		2.12	2.57	3.23	46
PS 038N	2 3/8"		2.37	2.82	3.67	47
PS 040N	2 1/2"		2.50	2.94	3.79	49
PS 042N	2 5/8"		2.62	3.07	3.92	51
PS 046N	2 7/8"		2.87	3.32	4.17	55
PS 048N	3"		3.00	3.57	4.42	57
PS 050N	3 1/8"		3.12	3.57	4.42	60
PS 056N	3 1/2"		3.50	3.95	4.79	55
PS 058N	3 5/8"		3.62	4.2	5.11	70
PS 064N	4"		4.00	4.45	5.42	88
PS 066N	4 1/8"		4.12	4.57	5.54	94
PS 072N	4 1/2"		4.50	4.95	5.92	110
PS 082N	5 1/8"		5.12	5.57	6.54	125
PS 098N	6 1/8"		6.12	6.57	7.54	130

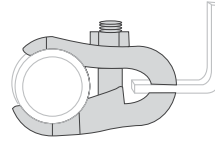
## PS 3792 – Power-Wrap™



**Material:** EPDM  
**Stock Thickness:** 1/8"  
**Stock Length:** 25 ft./box  
**Service Temp:** -70° to 350° F

Weight/100 boxes: 253 lbs.

## PS 52E – Parallel Pipe and Conduit Clamp



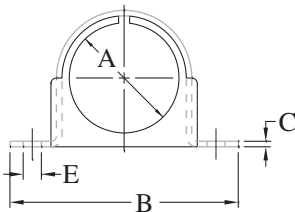
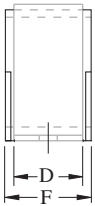
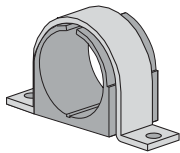
**Material:** Malleable Iron

Size	Wt./100 pcs
1/2"	59
3/4"	64
1"	70
1 1/4"	72
1 1/2"	93
2"	128
2 1/2"	135
3"	155
3 1/2"	190
4"	205



Pipe & Conduit Clamps

## PS 004M – PS 038M – Cush-a-Clamp® Assembly Omega Series



**Includes:** clamp and cushion.  
**Materials**  
**Clamp:** ZD or Stainless Steel  
**Cushion:** Thermoplastic elastomer

Part No.	Copper Tubing O.D. Size	Water Pipe (Nominal)	Pipe Size (Nominal)	Dimensions						Wt./100 pcs
				A	B	C	D	E	F	
PS 004M	1/4"	–	–	0.25	1.81	0.06	0.62	0.20	0.78	3.4
PS 006M	3/8"	1/4	–	0.37	1.90					4.0
PS 008M	1/2"	3/8	1/4"	0.50	2.20	0.06	0.75	0.26	0.98	5.5
PS 010M	5/8"	1/2	3/8"	0.62	2.32					6.0
PS 012M	3/4"	5/8	–	0.75	2.41					6.5
PS 014M	7/8"	3/4	1/2"	0.87	2.56					7.1
PS 016M	1"	–	–	1.00	2.68	0.06	0.75	0.26	0.98	7.8
PS 018M20	–	–	3/4"	1.05	2.68					8.1
PS 018M21	1 1/8"	1	–	1.12	2.82	0.06	0.75	0.26	0.98	8.4
PS 020M	1 1/4"	–	–	1.25	3.00					17
PS 021M	–	–	1"	1.31	3.12	0.08	1.25	0.26	1.56	20
PS 022M	1 3/8"	1 1/4	–	1.37	3.12					19
PS 024M	1 1/2"	–	–	1.50	3.65					20
PS 026M	1 5/8"	1 1/2	–	1.62	3.77					23
PS 027M	–	–	1 1/4"	1.66	3.90	0.10	1.25	0.33	1.56	32
PS 028M	1 3/4"	–	–	1.75	3.90					32
PS 030M	1 7/8"	–	1 1/2"	1.87	4.02					34
PS 032M	2"	–	–	2.00	4.15					36
PS 034M	2 1/8"	–	–	2.12	4.40	0.10	1.25	0.33	1.56	41
PS 038M	–	–	2"	2.37	4.71					44

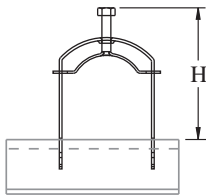
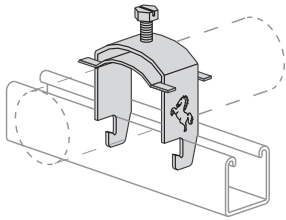
**Note:** Cannot be used on slot side of metal framing channel.

# PIPE & CONDUIT CLAMPS

Finish: Electro-galvanized Order By: No., and Finish



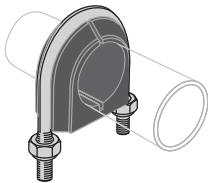
## PS MU-1/4 thru PS MU-4 – Mustang Universal One-Piece Pipe, Conduit (GRC, EMT & IMC) and Tubing Clamps



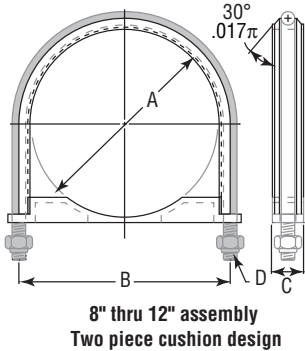
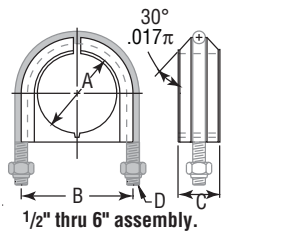
Part No.	Nominal Trade Size	OD		Height Above Channel "H"	
		Min	Max	Min	Max.
PS MU-1/4	1/4"	0.250"	0.540"	1 3/4"	2"
PS MU-3/8	3/8"	0.500"	0.675"	1 7/8"	2 1/8"
PS MU-1/2	1/2"	0.625"	0.840"	2"	2 1/4"
PS MU-3/4	3/4"	0.875"	1.050"	2 1/4"	2 1/2"
PS MU-1	1"	1.125"	1.315"	2 1/2"	2 3/4"
PS MU-1-1/4	1 1/4"	1.375"	1.660"	2 3/4"	3 1/8"
PS MU-1-1/2	1 1/2"	1.625"	1.900"	3"	3 3/8"
PS MU-2	2"	2.000"	2.375"	3 1/2"	3 7/8"
PS MU-2-1/2	2 1/2"	2.500"	2.875"	4 1/4"	4 5/8"
PS MU-3	3"	3.000"	3.500"	4 7/8"	5 3/8"
PS MU-3-1/2	3 1/2"	3.625"	4.000"	5 3/8"	5 7/8"
PS MU-4	4"	4.125"	4.500"	5 7/8"	6 3/8"

**Note:**  
Available in 14 ga. Electro-galvanized steel

## PS UB 1/2 – PS UB 10 – Cush-a-Clamp® Assembly U-Bolt Series



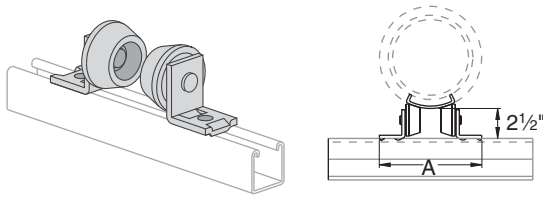
**Includes:** U-bolt, cushion, and hardware.  
**Materials:** U-Bolt: Electro-galvanized finish or Type 316 SS  
**Cushion:** Thermoplastic elastomer  
**Note:** Not intended for use with metal framing components due to the length of the thread.



Part No.	Pipe Size	Dimensions				Wt./100 Pcs
		A	B	C	D	
PS UB 1/2	1/2"	0.84	1.60	0.68	1/4-20 UNC-2B	9
PS UB 3/4	3/4"	1.05	1.80			10
PS UB 1	1"	1.31	2.05			12
PS UB 1-1/4	1 1/4"	1.66	2.55	1.24	3/8-16 UNC-2B	32
PS UB 1-1/2	1 1/2"	1.90	2.80			36
PS UB 2	2"	2.37	3.35			42
PS UB 2-1/2	2 1/2"	2.87	3.90	1.24	1/2-13 UNC-2B	72
PS UB 3	3"	3.50	4.55			84
PS UB 3-1/2	3 1/2"	4.00	5.05			93
PS UB 4	4"	4.50	5.50			102
PS UB 5	5"	5.56	6.56	1.44	5/8-11 UNC-2B	123
PS UB 6	6"	6.62	7.75			243
PS UB 8	8"	8.62	9.82			293
PS UB 10	10"	10.75	12.16	1.65	3/4-10 UNC-2B	492



## PS 1901 – Two-Piece Pipe Roller



Use With: 1/2"-4" pipe

Load Rating: 500 lbs.

Material:

Bracket - steel;  
Roller - cast iron (or aluminum)

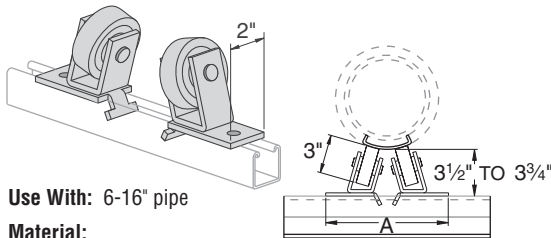
Finish: Green or galvanized;  
Roller - plain

Weight/100 pair: 268 lbs.

Chart for Dimension A								
Pipe Size	No Insulation	Insulation Thickness						
		1"	1 1/2"	2"	2 1/2"	3"	4"	
1/2"	6 1/2"	6 1/2"	-	-	-	-	-	
3/4"			6 5/8"	6 7/8"				
1"			6 7/8"	7 1/8"	7 3/8"			
1 1/4"			6 7/8"	7 1/8"	7 3/8"			
1 1/2"		6 5/8"	7 1/8"	7 3/8"	7 1/2"	8"		
2"			7"	7 1/2"	7 3/4"	7 7/8"		8 1/8"
2 1/2"				7 1/4"	7 5/8"	7 7/8"		8 1/8"
3"		7 1/4"	7 5/8"	7 7/8"	8 1/8"	8 3/8"		9"
3 1/2"		7 1/4"	7 5/8"	7 7/8"	8"	8 3/8"		9"
4"		7 1/4"	7 5/8"	7 7/8"	8"	8 3/8"		9"



## PS 815 – Two-Piece, Heavy Duty Pipe Roller



Use With: 6-16" pipe

Material:

Bracket - steel; Roller - cast iron

Finish: Green or galvanized; Roller - plain

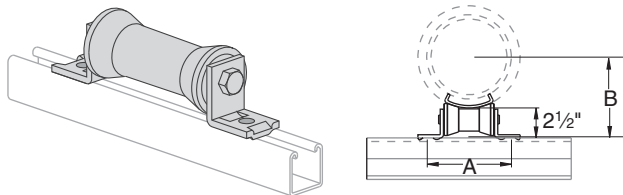
Load Rating: 1500 lbs.

Weight/100 pair: 680 lbs.

Chart for Dimension A							
Pipe Size	No Insulation	Insulation Thickness					
		1"	1 1/2"	2"	2 1/2"	3"	4"
6"	9 1/2"	10 1/4"	10 1/2"	10 3/4"	11"	11 3/8"	11 7/8"
8"	10 1/8"	-	11"	11 3/8"	11 3/4"	12"	12 1/2"
10"	10 3/4"		11 5/8"	12"	12 1/4"	12 1/2"	13"
12"	11 1/4"		12 1/8"	12 1/2"	12 3/4"	13"	13 1/2"
14"	11 5/8"		12 1/2"	12 7/8"	13"	13 3/8"	14"
16"	12 1/8"		13"	13 3/8"	13 7/8"	14"	14 1/2"
			13"	13 3/8"	13 7/8"	14"	14 1/2"

Pipe & Conduit Clamps

## PS 1911 – Pipe Roller



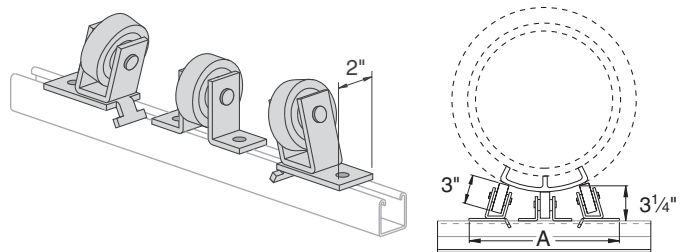
Material: Brackets and shaft - steel; Rollers - cast iron

Finish: Brackets - painted green or galvanized; Shaft - electro-galvanized;  
Rollers - plain

Load Rating: 950 lbs.

Size	Fits Pipe Size	A	B	Wt./100 pcs
2 – 3-1/2"	2"	5"	3"	160
	2 1/2"		3 1/4"	
	3"		3 5/8"	
4 – 6"	3 1/2"	5"	3 7/8"	215
	4"	5 7/8"	4 5/16"	
	5"	5 7/8"	4 7/8"	
8 – 10"	6"	5 7/8"	5 7/16"	525
	8"	8 5/16"	7 1/8"	
	10"	8 5/16"	8 1/4"	
12 – 14"	12"	10 7/8"	9 7/8"	1,025
	14"		10 1/2"	

## PS 816 – Three Piece, Heavy Duty Pipe Roller



Use With: 16-24" pipe

Material: Brackets - steel; Roller - cast iron

Finish: Brackets - painted green or galvanized; Roller - plain

Load Rating: 2,000 lbs.

Chart for Dimension A					
Pipe Size	Insulation Thickness				
	1 1/2"	2"	2 1/2"	3"	4"
16"	-		13 7/8"	14"	14 1/2"
18"	13 5/8"	14"	14 1/8"	14 1/2"	15"
20"	14 1/8"	14 1/2"	14 3/4"	15"	15 1/2"
24"	15 1/4"	15 1/2"	15 5/8"	16 1/8"	16 3/8"

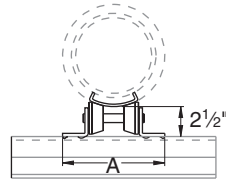
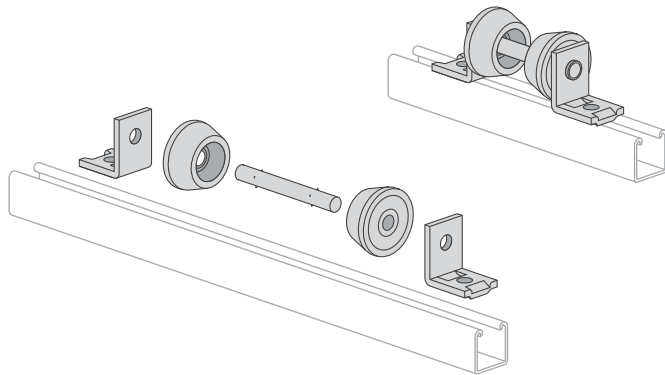
Weight/100 units: 1,046 lbs.

# ROLLERS

Order By: No. and Finish



## PS 1902 – Pipe-Roller Assembly



**Material:**

Brackets and shaft - steel;  
Rollers - cast iron

**Finish:**

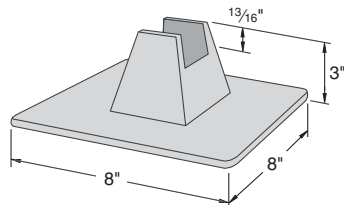
Brackets - painted green or galvanized;  
Shaft - electro-galvanized; Rollers - plain

**Load Rating:** 750 lbs.

Part No.	A	Wt./100 pcs.
PS 1902 - 1"-2"	6¾"	299
PS 1902 - 2½"-3½"	7½"	304
PS 1902 - 4"-6"	8½"	311
PS 1902 - 8"	9⅞"	319

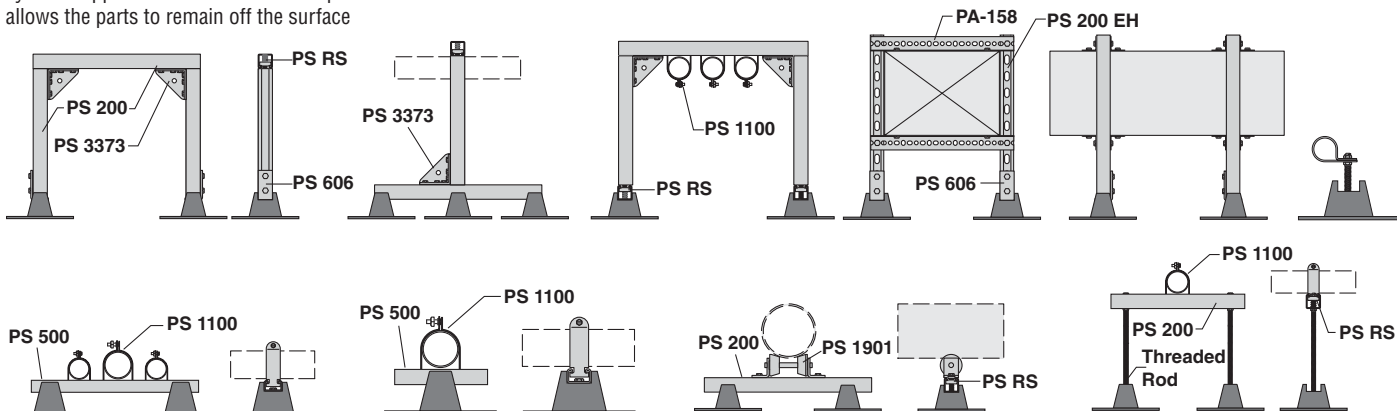
Pipe Size	No Insulation	Insulation Thickness					
		1"	1½"	2"	2½"	3"	4"
½"	PS 1902 - 1"-2"	PS 1902 - 1"-2"	PS 1902 - 1"-2"	PS 1902 - 2½"-3½"	-	-	-
¾"							
1"							
1¼"		PS 1902 - 2½"-3½"	PS 1902 - 2½"-3½"	PS 1902 - 4"-6"	PS 1902 - 4"-6"	-	-
1½"							
2"							
2½"	PS 1902 - 2½"-3½"	PS 1902 - 4"-6"	PS 1902 - 4"-6"	PS 1902 - 4"-6"	-	-	
3"							
3½"							
4"							
5"	PS 1902 - 2½"-3½"	PS 1902 - 4"-6"	PS 1902 - 8"	PS 1902 - 8"	PS 1902 - 8"	PS 1902 - 8"	
6"							
8"							

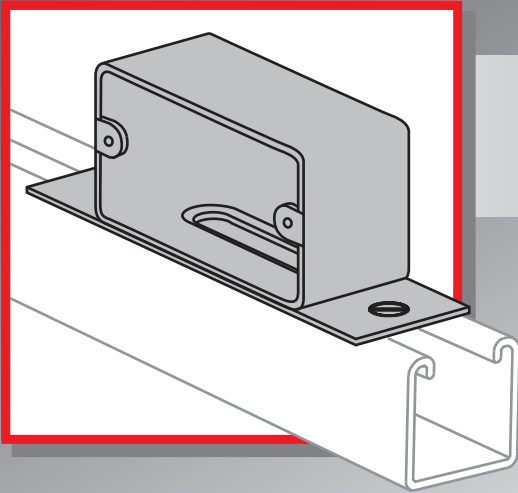
## PS PP – Power-Pier



The Power-Pier Rooftop support system provides a simple and versatile way to support and manage pipe, tubing, conduit, HVAC systems, and the like. The Power-Pier system supports without roof surface penetration and allows the parts to remain off the surface.

Part Number	Power-Pier Bases Qty.	Description
PS PP	4	Power-Pier Base Only (4 Bases & Hardware)
PS-SPSS-6 HG	4	PS PP + 4 Pcs PS 500 EH HG @ 6" Long for up to 3½" Pipe
PS-SPSS-10HG	4	PS PP + 4 Pcs PS 500 EH HG @ 10" Long for 4" to 8" Pipe
PS-MPDS-26HG	4	PS PP + 2 Pcs PS 200 EH HG @ 26" Long for Trapeze
PS-MPDS-38HG	4	PS PP + 2 Pcs PS 200 EH HG @ 38" Long for Trapeze
PS-MPDS-50HG	4	PS PP + 2 Pcs PS 200 EH HG @ 50" Long for Trapeze
PS-MPDS-62HG	4	PS PP + 2 Pcs PS 200 EH HG @ 62" Long for Trapeze





## ELECTRICAL

*Power-Strut offers a versatile means of supporting lighting, conduits, cable and other portions of an electrical system.*

*Power-Strut is listed as an electrical raceway by Underwriters laboratories as specified by the National Electric Code (Article 384), and CSA approved in accordance with the Canadian Electrical Code (Part 1).*

---

### **MATERIAL:**

Power-Strut electrical raceways are cold formed from low carbon steel and meet the requirements of ASTM A-1011 Grade 33 in painted green or ASTM A-653 Grade 33 in pre-galvanized material. Plain or electro-galvanized fittings conform to the ASTM A-635 or ASTM A-36 standards while pre-galvanized fittings meet the requirements of ASTM A-653 Grade 33.

---

### **STANDARD LENGTHS:**

Standard lengths of electrical raceway are 10 and 20 feet. The Power-Strut closure strips are available only in 10 foot lengths.

---

### **STANDARD FINISH:**

Electrical raceway channel is available in a painted green or pre-galvanized finish. All Power-Strut fittings are available in painted green or electro-galvanized finish. Many fittings are available in pre-galvanized.

---

### **ORDERING INFORMATION:**

When ordering, add the length or size and finish to the part number. See pages 8-9 for finish abbreviations and an example.

---

### **LISTINGS:**

UL File No. E27817 - Channel & Closure Strips  
UL File No. E27818 - Fittings  
CSA File No. 091312