

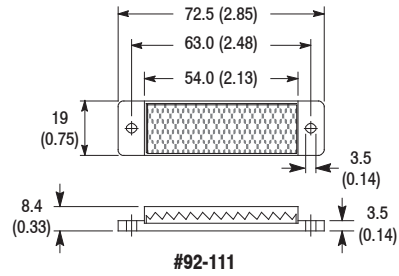
Accessories

Reflectors, Reflective Tape

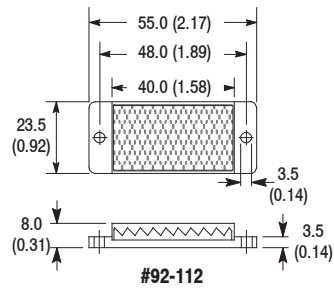
Specifications

Approximate Dimensions [mm (in.)]

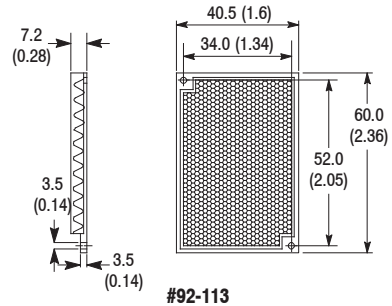
Cat. No.	92-111
Description	Reflector, 19 x 72.5 mm (0.75 x 2.85 in.) rectangular with mounting tabs.
Suitable for Polarized Sensor	Yes
Cube Style	Corner cube
Optimum Range	
Recommended Application	Suitable for general purpose applications up to 55°C (130°F).



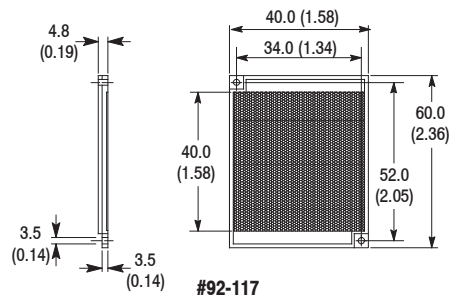
Cat. No.	92-112
Description	Reflector, 23.5 x 55 mm (0.924 x 2.17 in.) rectangular with mounting tabs.
Suitable for Polarized Sensor	Yes
Cube Style	Corner cube
Optimum Range	
Recommended Application	Suitable for general purpose applications up to 55°C (130°F).



Cat. No.	92-113
Description	Reflector, 40.5 x 60 mm (1.6 x 2.36 in.) rectangular with mounting tabs.
Suitable for Polarized Sensor	Yes
Cube Style	Corner cube
Optimum Range	
Recommended Application	Suitable for general purpose applications up to 55°C (130°F).



Cat. No.	92-117
Description	Reflector, 40.5 x 60 mm (1.6 x 2.36 in.) rectangular with mounting tabs.
Suitable for Polarized Sensor	Yes
Cube Style	Micro cube
Optimum Range	
Recommended Application	Suitable for general purpose applications up to 55°C (130°F). The 92-117 is also suited for laser-based photoelectric sensors such as LaserSight.



Optimum range varies with sensor optics. See table on page 1-315 for reflectivity performance.