



871D AC/DC Mini
Quick-Disconnect Style



871D AC/DC Micro
Quick-Disconnect Style

Specifications

Outputs	Normally Open
Load Current	5...400 mA
Inrush Current (1 cycle)	< 3 A (t < 20 msec)
Leakage Current	< 1.7 mA @ 120V AC
Operating Voltage	20...250V AC/DC
Voltage Drop	< 6V at 400 mA
Switching Frequency	50 Hz
Repeatability	5% typical
Hysteresis	15% typical
False Pulse Protection	Incorporated
Transient Noise Protection	Incorporated
Short Circuit Protection	Incorporated
Overload Protection	Incorporated
Weld Field Immunity	20,000 A at 1 inch
Certifications	UL Listed, cUL Certified for Canada and CE Marked for all applicable directives
Enclosure	NEMA 1, 2, 3, 3R, 4, 6, 12, 13, IP67 (IEC 529)
Connections	Quick Disconnect: 3-pin mini style 3-pin micro style
LED	Green: Power; Orange: Output
Operating Temperature [C (F)]	-25...70° (-13...158°)
Shock	30 g, 11 ms
Vibration	55 Hz, 1 mm amplitude, 3 planes
Housing Material	Nickel plated brass
Probe Material	Stainless steel, ceramic face

Features

- Rugged low profile housing
- 2-wire operation
- Housing 304° rotatable during installation without breaking pressure seal
- 20...250V AC/DC
- Normally open output
- Weld-field immune
- Short circuit, overload, false pulse, and transient noise protection
- UL Listed, cUL Certified and CE Marked for all applicable directives

Product Selection

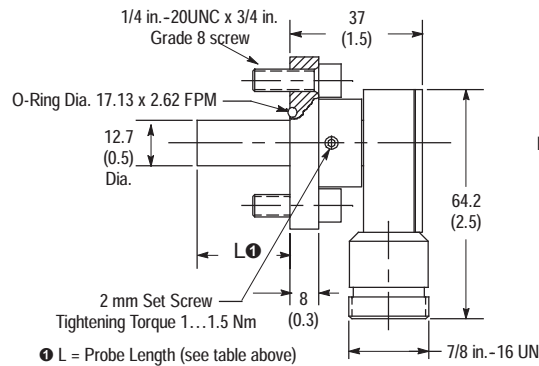
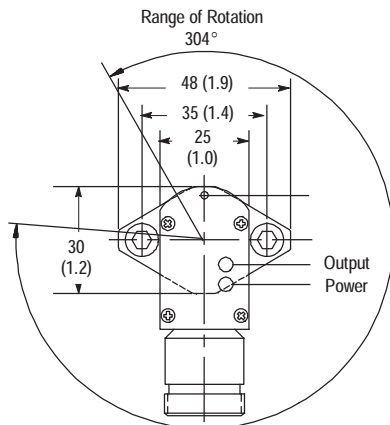
Barrel Dia.	Nominal Sensing Distance [mm (in.)]	Shielded	Output Configuration	Probe Length [mm (in.)]	Cat. No.	
					Mini QD	Micro QD
12mm	2 (0.08)	Y	N.O.	26.0 (1.025)	871D-BW2N260-N3	871D-BW2N260-R3
				31.7 (1.250)	871D-BW2N317-N3	871D-BW2N317-R3
				52.4 (2.062)	871D-BW2N524-N3	871D-BW2N524-R3
				73.0 (2.875)	871D-BW2N730-N3	871D-BW2N730-R3
				95.9 (3.775)	871D-BW2N959-N3	871D-BW2N959-R3
				115.9 (4.560)	871D-BW2N1159-N3	871D-BW2N1159-R3
Recommended standard QD cordset (-6F = 1.8m (6ft), -2 = 2 m (6.5 ft))					889N-F3AFC-6F	889R-F3ECA-2

QD Cordsets and Accessories

Description	Page Number
Other Cordsets Available	8-2
Terminal Chambers	8-2
Spacer Kits	2-224

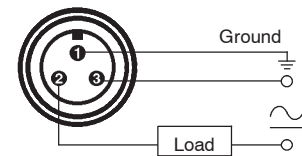
Dimensions—mm (in.)

Mini Connector Models



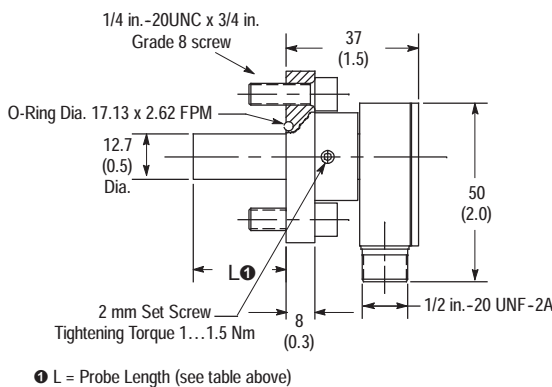
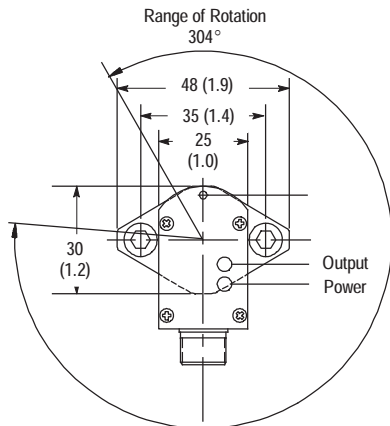
Wiring Diagrams

Mini Quick-Disconnect Style
Normally Open

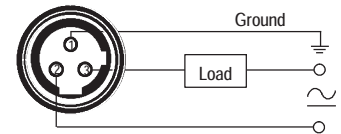


Note 1: Load can be switched to pin 3.

Micro Connector Models



Micro Quick-Disconnect Style
Normally Open or Normally Closed



Note 1: Load can be switched to pin 2.