

802X

Watertight or Hazardous Location Switches



Specifications

Enclosure Rating	NEMA 7 and 9/Class I, Groups B, C and D or Class II, Groups E, F and G or Class III; NEMA 4/nonhazardous locations
Certifications	UL Listed and CSA Certified
Ambient Temperature [C (F)] [Ⓢ]	Push type with spring return and all lever types except neutral position: -46...+121° (-50...+250°) Wobble stick and cat whisker devices: -29...+54° (-20...+130°) Side push maintained: -46...+121° (-50...+250°) Neutral position: -18...+121° (0...+250°).

AC Contact Rating (Maximum per Pole, 50 or 60Hz, same polarity)

NEMA Rating Designation	Max Voltage	A		Continuous Carrying Current	VA	
		Make	Break		Make	Break
A600	120	60	6.00	10	7200	720
	240	30	3.00	10	7200	720
	480	15	1.50	10	7200	720
	600	12	1.20	10	7200	720

DC Contact Rating (Maximum per Pole)

NEMA Rating Designation	Max Voltage	A		Continuous Carrying Current	VA	
		Make	Break		Make	Break
P150	125	1.1		5	138	

[Ⓢ] Temperature ranges below 0°C (+32°F) are based on the absence of freezing moisture or water.

Description

Bulletin 802X NEMA Type 7 and 9 limit switches are designed for use in atmospheres and locations defined as Class I, Groups B, C or D, Division 1, Class II, Groups E, F or G, or Class III in the National Electrical Code. Typical applications for this switch include refineries, distilleries, grain elevators and flour mills. For Class I, Division 2 locations, a Bulletin 802R limit switch may also be used (see page 5-34).

Bulletin 802X NEMA Type 4 watertight limit switches are designed for use indoors in locations where their internal parts require protection against seepage of water and splashing, falling or hose-directed water within the limits of the NEMA specified tests for Type 4 watertight enclosures. They are not sleet- (ice-) proof. Typical applications are dairies and food processing plants.

A wide variety of operating heads and operating levers are available. Operating heads can be mounted in four positions, 90° apart. The enclosure base has two through holes for front mounting, two tapped holes for rear mounting and two tapped holes for side mounting.

Features

- Multiple operator styles: side rotary, wobble stick, cat whisker, adjustable top push and top or side push with or without rollers

Watertight or Hazardous Location

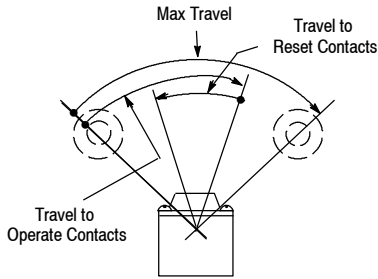
- Lever Type • Spring Return page 5-75
Standard and Neutral Position Models
- Lever Type • page 5-76
Maintained Contact
- Push Type • Spring Return . page 5-77
- Push Type • page 5-79
Maintained Contact
- Wobble Stick and page 5-80
Cat Whisker • Spring Return

Limit Switches

802X Lever Type • Maintained Contact

Watertight or Hazardous Location Switches

Range of Operation



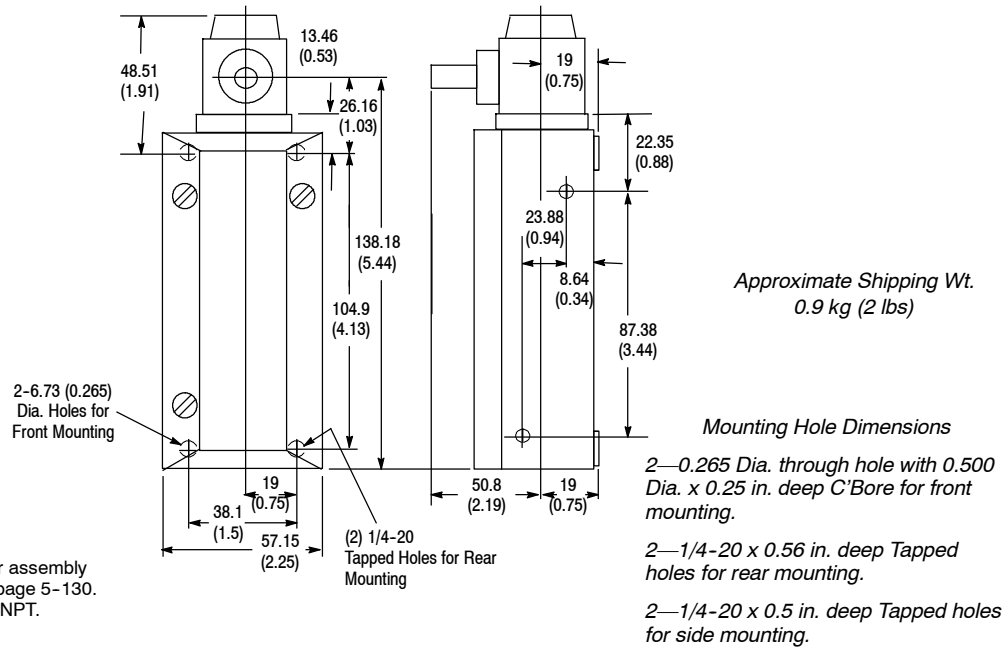
Switch Without Lever

Product Selection

Lever Movement vs. Contact Operation	Torque to Operate (Max)	Travel to Operate Contacts (Max)	Max Travel	Travel to Reset Contacts (Max)	Cat. No.	
					NEMA 4	NEMA 7 & 9
Clockwise or Counterclockwise 	0.25 N•m (2.25 lb•in)	70° ❶	84° ❶	35°	802X-AM4	802X-AM7

❶ From one maintained position to the other.

Approximate Dimensions [mm (in.)]



Levers—See page 5-130 for a complete listing of operating levers.