











Operating Levers

For use with 802T, 802M, 802MC, 802X, 802XR

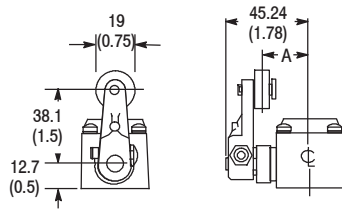
Roller Levers

Type	Roller			Cat. No.
	Material	Dia.	Width	
 Non-Adj. Cast Lever 0.75" Radius	Metal	0.75"	0.27"	802T-W9A
 Non-Adj. Cast Lever 1.5" Radius Roller on Front	Nylon	0.75"	0.28"	802T-W1
	Nylon	0.75"	1"	802T-W1H
	Dual Nylon	0.75"	1" each	802T-W1HH
	Steel	0.75"	0.25"	802T-W1A
	Steel	0.75"	0.75"	802T-W1N
	Ball Bearing	0.75"	0.23"	802T-W1B
	Beryllium Copper (Nonsparking)	0.75"	0.28"	802T-W1J
 Non-Adj. Cast Lever 1.5" Radius Roller on Rear	Nylon	0.75"	0.28"	802T-W1E
	Nylon	0.75"	1"	802T-W1D
	Nylon	1.5"	0.28"	802T-W1G
	Steel	0.75"	0.25"	802T-W1F
	Steel	0.75"	0.75"	802T-W1C
	Nylon	0.75"	0.75"	802T-W1M
	 Non-Adj. Steel Lever 2.0" Radius Roller on Front	Nylon	0.75"	0.28"
Nylon		0.75"	1"	802T-W20D
Steel		0.75"	0.25"	802T-W20A
Steel		0.75"	0.75"	802T-W20B
Ball Bearing		0.75"	0.23"	802T-W20C
Beryllium Copper		0.75"	0.28"	802T-W20E
 Non-Adj. Steel Lever 2.0" Radius Roller on Rear		Nylon	0.75"	0.28"
	Nylon	0.75"	1"	802T-W20K
	Steel	0.75"	0.25"	802T-W20L
	Steel	0.75"	0.75"	802T-W20M
	Ball Bearing	0.75"	0.23"	802T-W20N
 Non-Adj. Steel Lever 2 1/8" Radius Roller on Front	Beryllium Copper	0.75"	0.28"	802T-W20P
	Nylon	0.75"	0.75"	802T-W18
 Non-Adj. Steel Lever 2 1/8" Radius Roller on Front	Nylon	0.75"	1"	802T-W18A

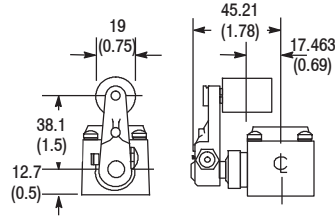
Approximate Dimensions—See page 5-133.

Type	Roller			Cat. No.
	Material	Dia.	Width	
 Non-Adj. Steel Lever 2.5" Radius Roller on Front	Nylon	0.75"	0.28"	802T-W25
	Nylon	0.75"	1"	802T-W25D
	Steel	0.75"	0.25"	802T-W25A
	Steel	0.75"	0.75"	802T-W25B
	Ball Bearing	0.75"	0.23"	802T-W25C
	Beryllium Copper	0.75"	0.28"	802T-W25E
 Non-Adj. Steel Lever 2.5" Radius Roller on Rear	Nylon	0.75"	0.28"	802T-W25J
	Nylon	0.75"	1"	802T-W25K
	Steel	0.75"	0.25"	802T-W25L
	Steel	0.75"	0.75"	802T-W25M
	Ball Bearing	0.75"	0.23"	802T-W25N
	Beryllium Copper	0.75"	0.28"	802T-W25P
	 Non-Adj. Steel Lever 3.0" Radius Roller on Front	Nylon	0.75"	0.28"
Nylon		0.75"	1"	802T-W30D
Steel		0.75"	0.25"	802T-W30A
Steel		0.75"	0.75"	802T-W30B
Ball Bearing		0.75"	0.23"	802T-W30C
Beryllium Copper		0.75"	0.28"	802T-W30E
 Non-Adj. Steel Lever 3.0" Radius Roller on Rear	Nylon	0.75"	0.28"	802T-W30J
	Nylon	0.75"	1"	802T-W30K
	Steel	0.75"	0.25"	802T-W30L
	Steel	0.75"	0.75"	802T-W30M
	Ball Bearing	0.75"	0.23"	802T-W30N
	Beryllium Copper	0.75"	0.28"	802T-W30P
 Adjustable Lever 1.19" to 3" Radius	Nylon	0.75"	0.28"	802T-W2
	Nylon	0.75"	1"	802T-W2D
	Nylon	1.5"	0.28"	802T-W2A
	Steel	0.75"	0.25"	802T-W2B
	Ball Bearing	0.75"	0.23"	802T-W2C
	Steel	1.4"	0.27"	802T-W2E
	Rubber	1.5"	0.5"	802T-W2R
	Beryllium Copper	0.75"	0.28"	802T-NX94
	 Adjustable Lever 1.19" to 3.5" Radius	Nylon	0.75"	0.28"
Metal		802T-W17B		
Nylon		1.5"		802T-W17A

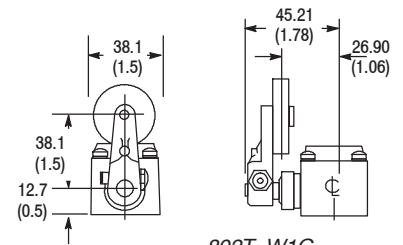
Approximate Dimensions [mm (in.)]



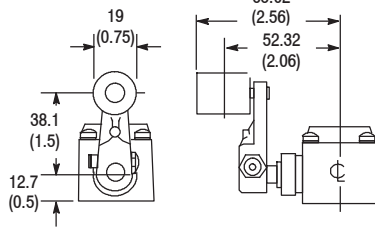
802T-W1C (Dim. A = 0.81");
802T-W1E and 802T-W1F (Dim. A = 1.03")
Shipping Wt. 57g (2oz). (W1C), 1 oz. (W1E),
43g (1.5oz) (W1F)



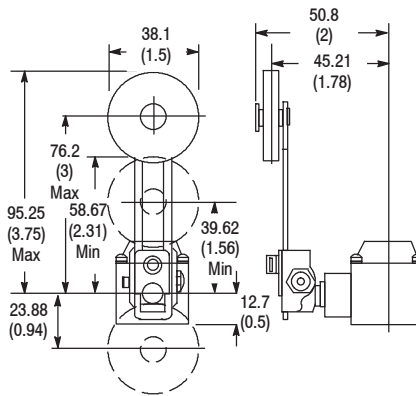
802T-W1D
Shipping Wt. 43g (1.5oz)



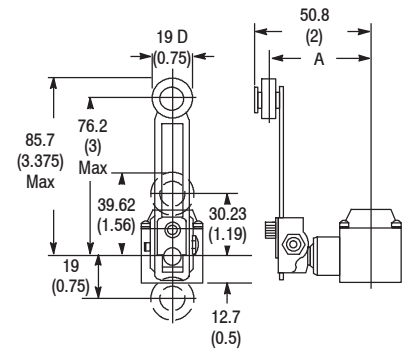
802T-W1G
Shipping Wt. 28g (1oz)



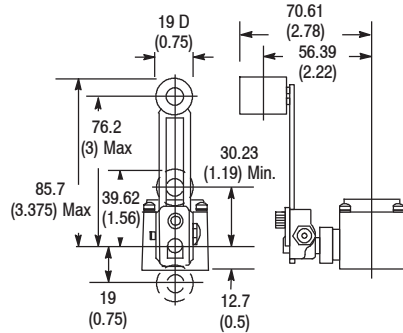
802T-W1H
Shipping Wt. 43g (1.5oz)



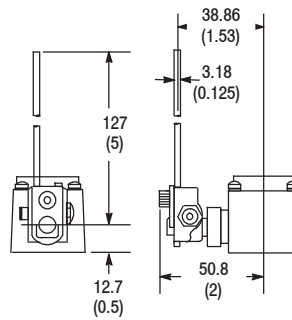
802T-W2A
Shipping Wt. 57g (2oz)



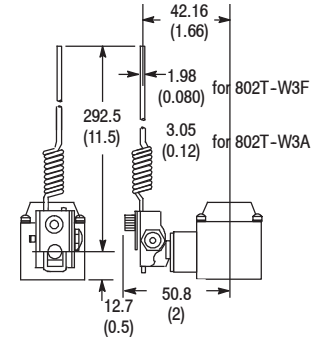
802T-W2 & 802T-W2B (Dim. A = 1.78");
802T-W2C (Dim. A = 1.81")
Shipping Wt. 57g (2oz)



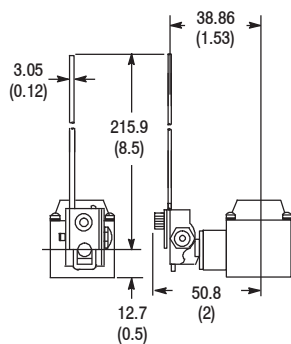
802T-W2D
Shipping Wt. 57g (2oz)



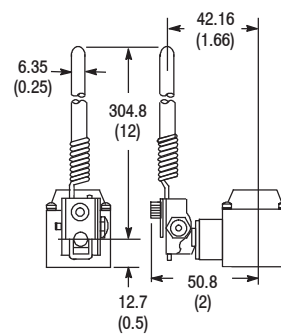
802T-W3
Shipping Wt. 43g (1.5oz)



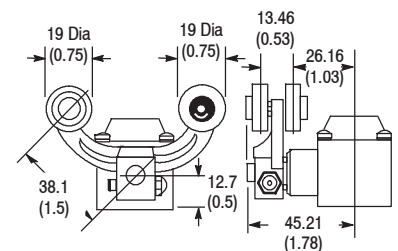
802T-W3A and 802T-W3F
Shipping Wt. 57g (2oz)



802T-W3B and 802T-W3F
Shipping Wt. 43g (1.5oz)



802T-W3C
Shipping Wt. 57g (2oz)



802T-W4 and 802T-W4D
Shipping Wt. 43g (1.5oz) 802T-W4B
Shipping Wt. 57g (2oz)