






Roller Levers (continued)

Type	Roller			Cat. No.
	Material	Dia.	Width	
 Fork Lever 1.5" Radius	Nylon; L.H. Roller on Front; R.H. Roller on Back	0.75"	0.28"	802T-W4
	Steel; L.H. Roller on Front; R.H. Roller on Back	0.75"	0.25"	802T-W4B
	Nylon; Both Rollers on Front	0.75"	0.28"	802T-W4A
	Nylon; Both Rollers on Rear	0.75"	0.28"	802T-NX115
	Nylon; Both Rollers on Front	0.75"	1"	802T-W4F
	Steel; Both Rollers on Front	0.75"	0.25"	802T-W4C
	Nylon; L.H. Roller on Back; R.H. Roller on Front	0.75"	0.28"	802T-W4D
 Micrometer Adjustment Lever ④ 1.5" Radius	Nylon R.H. Adj.	0.75"	0.28"	802T-W6
	Steel R.H. Adj.	0.75"	0.25"	802T-W6A
	Ball Bearing R.H. Adj.	0.75"	0.23"	802T-W6B
	Nylon L.H. Adj.	0.75"	0.28"	802T-W6C
	Steel L.H. Adj.	0.75"	0.25"	802T-W6D
	Ball Bearing L.H. Adj.	0.75"	0.23"	802T-W6E
	Nylon R.H. Adj.	0.75"	1"	802T-W6F
 Non-Adj. One-Way Lever 1.5" Radius	Nylon	0.75"	0.28"	802T-W7①
	Steel	0.75"	0.25"	802T-W7A①
	Ball Bearing	0.75"	0.23"	802T-W7B①
 Non-Adj. Offset Lever 1.44" Radius Roller on Front	Nylon	0.75"	0.28"	802T-W12②
	Steel	0.75"	0.25"	802T-W12A②
	Bearing Roller	0.75"	0.23"	802T-W12B
 Non-Adj. Offset Lever 1.44" Radius Roller on Rear	Nylon	0.75"	0.28"	802T-W12E
	Steel	0.75"	0.25"	802T-W12F

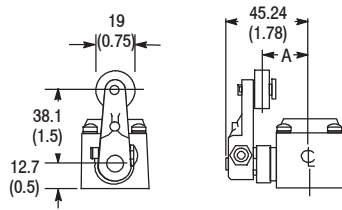
Roller Levers—Corrosion-Resistant

Type	Material	Roller		Cat. No.
		Dia.	Width	
 1.5" Radius Roller on Front	Type 316 stainless steel roller, roller pin and clamp pin One-piece cast aluminum arm is protected with TUFRAM®③	0.75"	0.25"	802MC-W1A
 1.5" Radius Roller on Rear	Nylon Roller One-piece cast aluminum arm is protected with TUFRAM®③	1.5"	0.28"	802MC-W1G
 Non-Adj. Offset Lever 1.44" Radius Roller on Front	Nylon Roller One-piece cast aluminum arm is protected with TUFRAM®③	0.75"	0.28"	802MC-W12
 Adjustable 1.19"-.3" Radius	Type 316 stainless steel roller, roller pin, clamp pin and adjustable lever arm Block is cast aluminum protected with TUFRAM®③	0.75"	0.25"	802MC-W2B

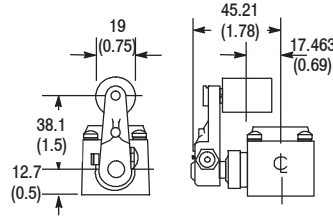
Approximate Dimensions—See page 5-133.

- ① Do not use on maintained contact limit switches.
- ② When mounted on Plug-In devices, the offset lever provides equivalent cam tracking to the NonPlug-In devices using catalog number 802T-W1 levers.
- ③ TUFRAM is a synergistic coating which combines the advantages of anodizing with a controlled infusion of PTFE for added corrosion resistance.
- ④ The micrometer adjustment roller lever is designed especially for installations where the position of the roller is a critical factor. This lever has a pivoted roller which can be turned laterally. After clamping the lever to the switch shaft, the position of the roller can be precisely adjusted through an arc of 7.5° on either side of the center or straight-line position.

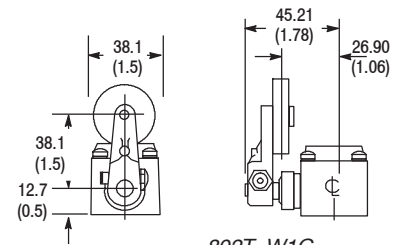
Approximate Dimensions [mm (in.)]



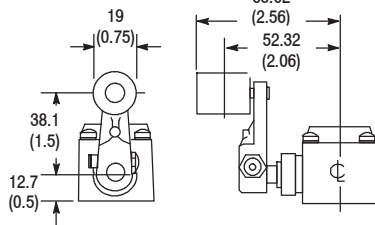
802T-W1C (Dim. A = 0.81");
802T-W1E and 802T-W1F (Dim. A = 1.03")
Shipping Wt. 57g (2oz). (W1C), 1 oz. (W1E),
43g (1.5oz) (W1F)



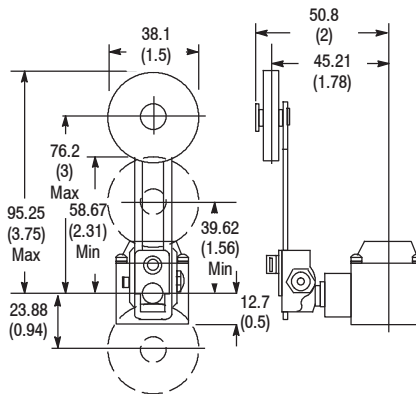
802T-W1D
Shipping Wt. 43g (1.5oz)



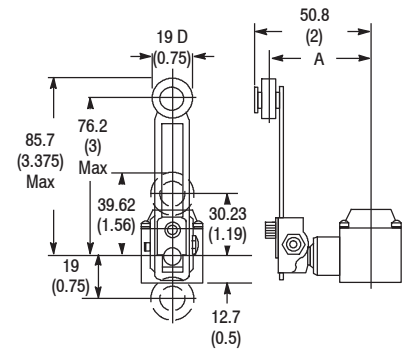
802T-W1G
Shipping Wt. 28g (1oz)



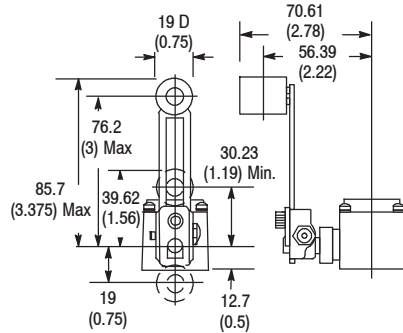
802T-W1H
Shipping Wt. 43g (1.5oz)



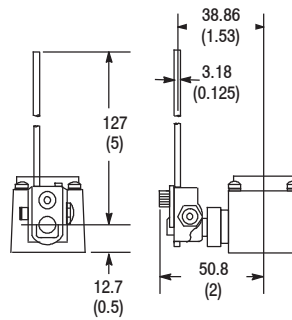
802T-W2A
Shipping Wt. 57g (2oz)



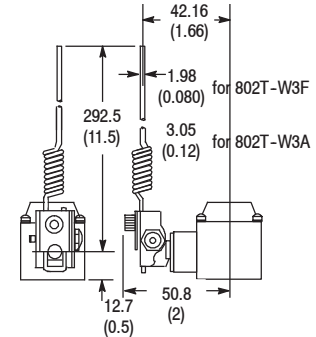
802T-W2 & 802T-W2B (Dim. A = 1.78");
802T-W2C (Dim. A = 1.81")
Shipping Wt. 57g (2oz)



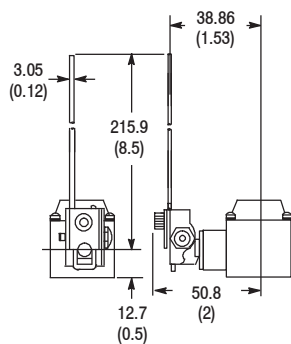
802T-W2D
Shipping Wt. 57g (2oz)



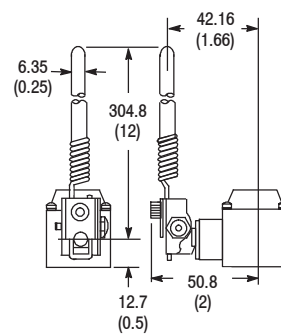
802T-W3
Shipping Wt. 43g (1.5oz)



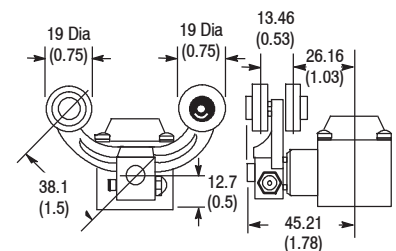
802T-W3A and 802T-W3F
Shipping Wt. 57g (2oz)



802T-W3B and 802T-W3F
Shipping Wt. 43g (1.5oz)



802T-W3C
Shipping Wt. 57g (2oz)



802T-W4 and 802T-W4D
Shipping Wt. 43g (1.5oz) 802T-W4B
Shipping Wt. 57g (2oz)