



Description

Intended for direct connection to PLCs and other low energy circuits, the components and design of these low energy limit switches are optimized for long life.

The primary concern of low energy switching is contact contamination. Since low energy loads do not arc or burn the contacts clean, contaminants may cause erratic switch behavior. Rockwell Automation's low energy limit switches are designed with welded gold and silver alloy contacts to provide a protective barrier against surface oxides. A stationary waffle shape contact optimizes contact pressure to stabilize the contact resistance in the region of the micro load. A prism shaped crossbar contact provides high pressure to penetrate foreign particles which could prevent contact closure. These low energy limit switches are suitable for machine connectivity and low voltage facilities. They have a low input voltage of 5...28V DC with contact ratings of 0.025V A min. and 0.40V A max. per pole.

Bulletin 802T low energy limit switches are ideal for applications in which heavy duty pilot ratings, a high degree of versatility and a rugged NEMA Type 4, 13 and 6P rating are required. Similar to our full line of standard 802T plug-in style limit switches, our low energy limit switches exist in lever type spring return and push type spring return. Operating heads can be mounted in four positions, 90° apart.

Specifications

Certifications	UL Listed, CSA Certified and CE Marked for all applicable directives
Environmental	
Enclosure Type Rating	NEMA 4, 13, and 6P ^②
Ambient Temperature [C (F)] ^①	-18...+110° (0...+230°) -40...110° (-40...230°) low temp. model
Input Voltage	5...28V DC
DC Contact Rating	0.40V A load per pole max 0.025V A load per pole min

In today's age of low energy controls, electromechanical switches are more frequently interfacing directly with low energy circuits. Switching low energy loads presents a unique challenge. Rockwell Automation is perfectly situated to assist you with all your low energy switching needs.

Features

- Welded gold and silver alloy contacts provide a barrier against surface oxides
- Stationary waffle shape contact reduces the impact of contamination build-up
- Prism shaped crossbar contact provides high pressure to penetrate foreign particles which could prevent contact closure
- Snap-acting spanner replicates same reliability performance of our legacy NEMA products
- Lever type and push type operating styles
- Plug-in style for ease of wiring and conduit and mini-receptacle wiring options
- Enclosure rating NEMA 4, 13 and 6P^②
- UL Listed, CSA Certified and CE Marked for applicable directives
- 5...28V DC and 0.025V A min. and 0.40V A max. load per pole

^① Temperature range below 0°C (+32°F) is based on the absence of freezing moisture or water.

^② 6P only applies to lever type, except low torque.

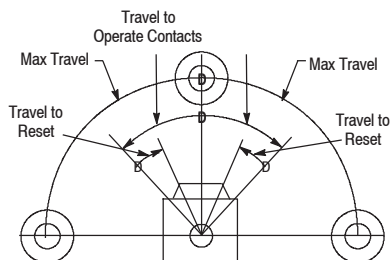
Plug-in Style

Lever Type • Spring Return page 5-49

Push Type • Spring Return . page 5-51

802T Low Energy Lever Type • Spring Return Plug-in Style Oiltight Switches

Range of Operation



Switch
without Lever

Product Selection—Standard and Low Operating Torque Models

No. of Circuits	Contact Operation for Clockwise or Counterclockwise Movement	Max. Torque to Operate [N•m (lb•in.)]	Max. Travel to Operate (degrees)	Maximum Travel (degrees)	Max. Travel to Reset (degrees)	Switch Type	Cat. No.
							Switch w/o Lever
2		0.29 (2.6)	13	90	7	Conduit	802T-AGP
All low energy limit switches are designed to operate in an ambient temperature of -18...110°C (0...230°F). This 802T-AGPE limit switch is modified for low temperature operation at -40...110°C (-40...230°F). All other specifications are identical to the 802T-AGP.						Conduit/Low Temp.	802T-AGPE
Identical to 802T-AGP but with pre-wired five-pin mini connector.						Mini Connector	802T-AGPJ1 ①
2		0.106 (1.3) max.	13	90	7	Conduit/Low Torque	802T-ALGP

① Recommended standard cordset is 889N-F5AFC-6F—straight female 5-pin mini to flying leads, 1.8 m (6 ft) long. For additional cable lengths or styles, see page 8-4.

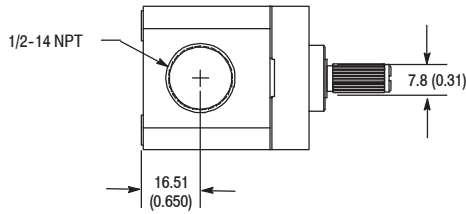
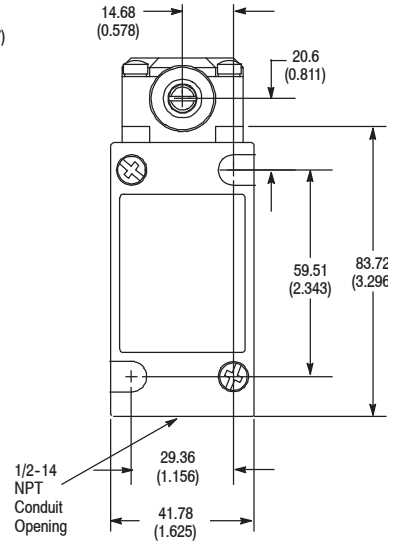
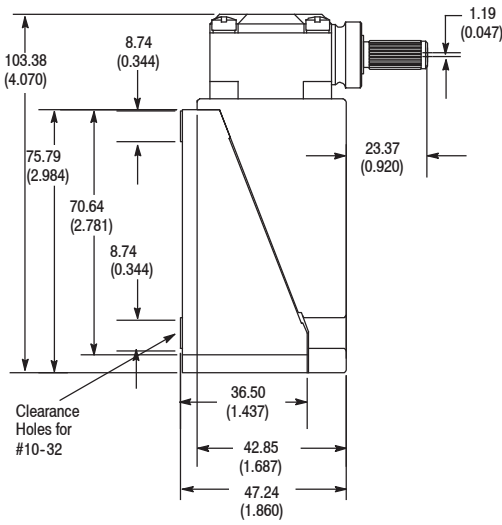
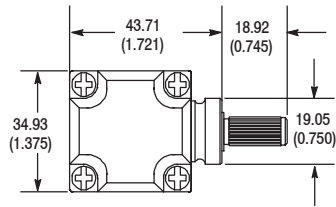
Levers—See page 5-130 for a complete listing of operating levers.

Limit Switches

802T Low Energy Lever Type • Spring Return

Plug-in Style Oiltight Switches

Approximate Dimensions [mm (in.)]



Plug-In Switch
Shipping Wt.
0.571 kg (1.25 lb)

