

Sealed
Contact
Switch

802R-AF
(cover removed)
with 802T-W1 Lever

Description

This sealed contact limit switch features a rugged single contact, hermetically sealed in a glass envelope, that has excellent contact reliability even in contaminated atmospheres. The switch is Programmable Controller compatible (24V and above) and is pilot duty rated NEMA B600 for AC and NEMA P300 for DC as shown on page 5-35. The enclosure is NEMA Type 13.

Lever Type Switches

These switches can be equipped with any one of seven different operating levers: roller lever, adjustable roller lever, micrometer adjustment roller lever, rod lever, one-way rod or roller lever and fork lever. These can be used interchangeably on all lever type switches **except the low operating force switch**, which requires the lever identified by Cat. No. 802T-W5.

The micrometer adjustment roller lever, Cat. No. 802T-W6, is designed especially for installations where the position of the roller is a critical factor. This lever has a pivoted roller which can be turned laterally. After clamping the lever to the switch shaft, the position of the roller can be precisely adjusted through an arc of 7.5° on either side of the center or straight-line position.

Push Type Switches

Switches in this category are actuated by means of a rod or plunger located on the top or side of the operating head. Pushing the plunger into the head causes the contacts to operate. Three types of plungers are available: push rod, adjustable push rod and steel push roller.

Wobble Stick and Cat Whisker Type Switches

Both switches are actuated by a rod or wire extending from the top of the operating head. Moving the rod through a specified angle in any direction causes the contacts to operate. All wobble stick and cat whisker switches are supplied with spring return construction only.

Ambient Temperature Range

Bulletin 802R limit switches, except devices with wobble stick or cat whisker operators, have an ambient temperature range of -29...+121°C (-20...+250°F). Wobble stick and cat whisker limit switches are rated from -18...+54°C (0...+130°F).

Note: Temperature ranges below 0°C (+32°F) are based on the absence of freezing moisture or water.

Underwriters' Laboratories, Inc. Listed, CSA Certified

These switches are listed by Underwriters' Laboratories, Inc. for use in **Class 1, Division 2, Groups A, B, C and D hazardous locations** as defined by the National Electrical Code.



802R-AF

Description

This sealed contact limit switch features a rugged single contact, hermetically sealed in a glass envelope, that has excellent contact reliability even in contaminated atmospheres. The switch is Programmable Controller compatible (24 volts and above) and is pilot duty rated NEMA B600 for AC and NEMA P300 for DC as shown to the right. The enclosure is NEMA Type 13.

Specifications

Enclosure Rating	NEMA 13
Approvals	UL Listed and CSA Certified
Ambient Temperature [C (F)]	-29...+121° (-20...+250°) Exception: Wobble stick and cat whisker devices are rated from -18...+54° (0...+130°)

AC Contact Rating (Maximum per Pole, 50 or 60 Hz, Same Polarity)

NEMA Rating Designation	Max Voltage	A		Continuous Carrying Current	VA	
		Make	Break		Make	Break
B600	120	30	3.00	5	3600	360
	240	15	1.50	5	3600	360
	480	7.5	0.75	5	3600	360
	600	6	0.60	5	3600	360

DC Contact Rating (Maximum per Pole, Same Polarity)

NEMA Rating Designation	Voltage Range	Current Rating
P300	115...125	1.1 A
	230...250	0.55 A

Features

- PLC compatible
- High contact reliability in contaminated atmospheres

Sealed Contact

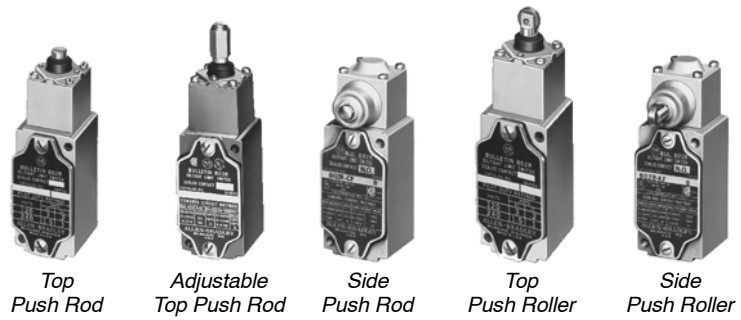
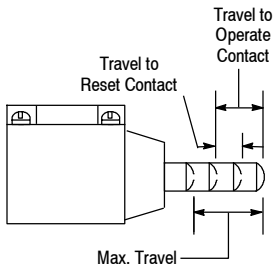
Lever Type • Spring Return page 5-36
 Lever Type • Maintained ... page 5-37
 Contact
 Push Type • Spring Return . page 5-38
 Wobble Stick and page 5-39
 Cat Whisker • Spring Return
 Modifications and page 5-39
 Accessories

Limit Switches

802R Push Type • Spring Return

Sealed Contact Switches

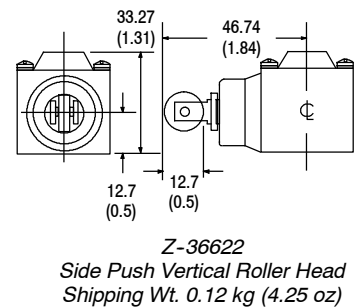
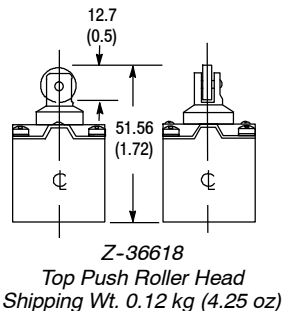
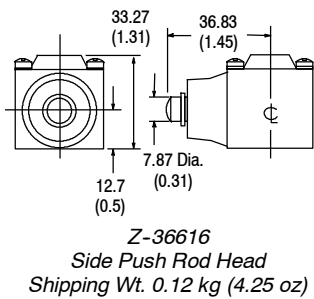
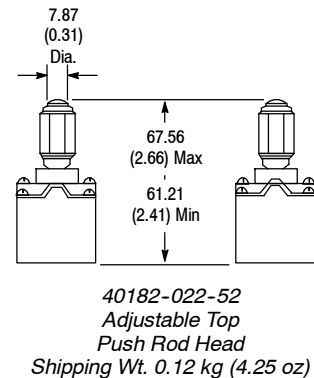
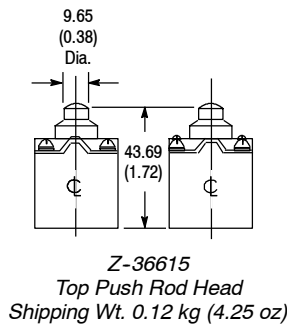
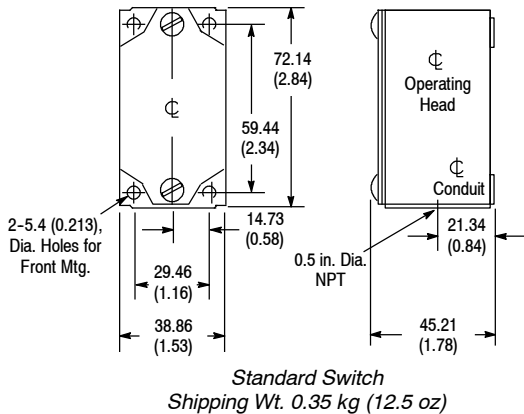
Range of Operation



Product Selection

Operator Type	Force to Operate (Max)	Travel to Operate Contact (Max)	Max Travel	Travel to Reset Contact (Max)	Contact Type	Cat. No.
Top Push Rod	15.6 N (3.5 lb)	1.75 mm (0.069 in.)	5.13 mm (0.202 in.)	0.71 mm (0.028 in.)	N.O.	802R-BF
					N.C.	802R-BC
Adjustable Top Push Rod	15.6 N (3.5 lb)	1.75 mm (0.069 in.)	5.13 mm (0.202 in.)	0.71 mm (0.028 in.)	N.O.	802R-BAF
					N.C.	802R-BAC
Side Push Rod	20.0 N (4.5 lb)	3.18 mm (0.125 in.)	5.54 mm (0.218 in.)	1.45 mm (0.057 in.)	N.O.	802R-CF
					N.C.	802R-CC
Top Push Roller	15.6 N (3.5 lb)	1.75 mm (0.069 in.)	5.13 mm (0.202 in.)	0.71 mm (0.028 in.)	N.O.	802R-DF
					N.C.	802R-DC
Side Push Vertical Roller	20.0 N (4.5 lb)	3.18 mm (0.125 in.)	5.54 mm (0.218 in.)	1.45 mm (0.057 in.)	N.O.	802R-KF
					N.C.	802R-KC
Side Push Horizontal Roller	20.0 N (4.5 lb)	3.18 mm (0.125 in.)	5.54 mm (0.218 in.)	1.45 mm (0.057 in.)	N.O.	802R-K1F
					N.C.	802R-K1C

Approximate Dimensions [mm (in.)]



Modifications and Accessories—See page 5-39.