






Limit Switches

Operating Levers

For use with 802T, 802M, 802MC, 802X, 802XR





Rod Levers

Type	Material	Dia.	Cat. No.
	Stainless Steel Rod 5" Long	0.13"	802T-W3②
	Stainless Steel Rod 8.5" Long	0.13"	802T-W3B②
	Stainless Steel Rod 12" Long	0.13"	802T-NX50
	Stainless Steel Rod 11.5" Long	0.13"	802T-W3A
	Stainless Steel Rod 14" Long	0.08"	802T-W3F②
	Nylon Rod 12" Long	0.25"	802T-W3C 802T-NX142 ⑤
		0.06"	802T-W5②
	Stainless Steel Rod 5" Long	0.06"	802T-W8①
		0.18"	802T-W14
	Steel Rod 9" Long	0.25"	802T-W16
		Nylon Rod 9" Long	0.25"

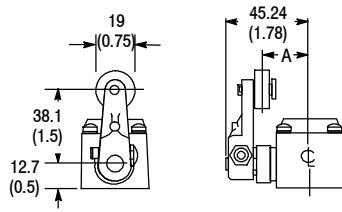
Approximate Dimensions—See page 5-133.

- ① Do not use on maintained contact limit switches.
- ② Recommended for use with low operating torque switches.
- ③ Not for use with 802M-NPY5 or 802M-ASY5 type switches.
- ④ TUFGRAM® is a synergistic coating which combines the advantages of anodizing with a controlled infusion of PTFE for added corrosion resistance.
- ⑤ Recommended for high impact applications.

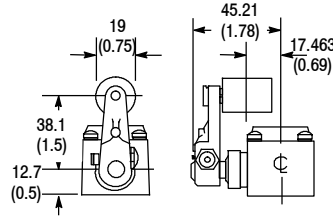
Rod Levers—Corrosion-Resistant

Type	Material	Dia.	Cat. No.
	Type 316 stainless steel rod 5" long Block is cast aluminum protected with TUFGRAM®④	0.13"	802MC-W3
	Type 316 stainless steel rod 11.5" long Block is cast aluminum protected with TUFGRAM®④	0.08"	802MC-W3A
	Nylon Rod 12" long Block is cast aluminum protected with TUFGRAM®④	0.25"	802MC-W3C
	Nylon Rod Only	0.25"	WF25507

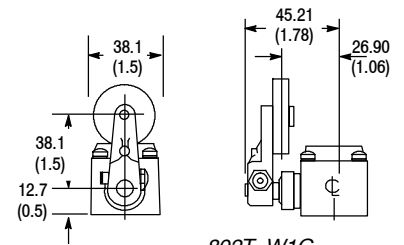
Approximate Dimensions [mm (in.)]



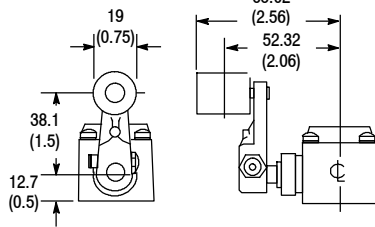
802T-W1C (Dim. A = 0.81");
802T-W1E and 802T-W1F (Dim. A = 1.03")
Shipping Wt. 57g (2oz). (W1C), 1 oz. (W1E),
43g (1.5oz) (W1F)



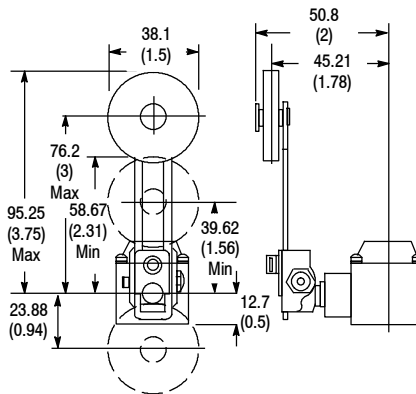
802T-W1D
Shipping Wt. 43g (1.5oz)



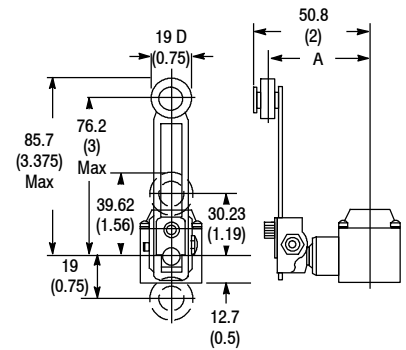
802T-W1G
Shipping Wt. 28g (1oz)



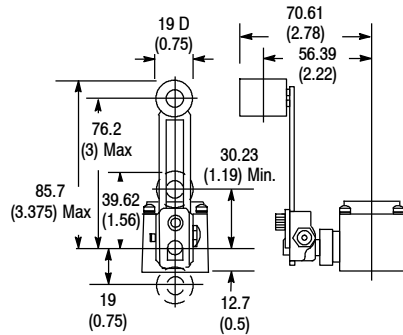
802T-W1H
Shipping Wt. 43g (1.5oz)



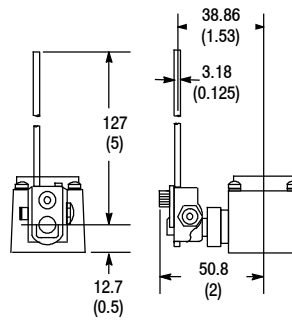
802T-W2A
Shipping Wt. 57g (2oz)



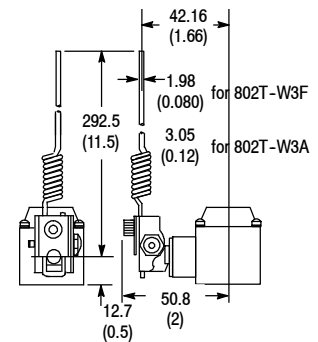
802T-W2 & 802T-W2B (Dim. A = 1.78");
802T-W2C (Dim. A = 1.81")
Shipping Wt. 57g (2oz)



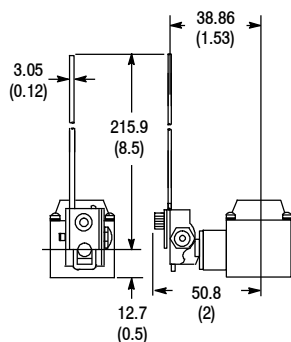
802T-W2D
Shipping Wt. 57g (2oz)



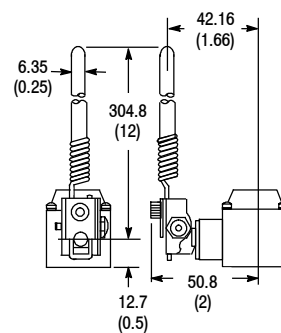
802T-W3
Shipping Wt. 43g (1.5oz)



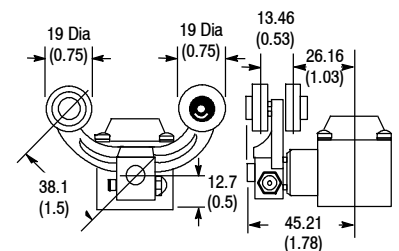
802T-W3A and 802T-W3F
Shipping Wt. 57g (2oz)



802T-W3B and 802T-W3F
Shipping Wt. 43g (1.5oz)



802T-W3C
Shipping Wt. 57g (2oz)



802T-W4 and 802T-W4D
Shipping Wt. 43g (1.5oz) 802T-W4B
Shipping Wt. 57g (2oz)