

Limit Switches  
**802B Small Precision**  
 Small Metal Body

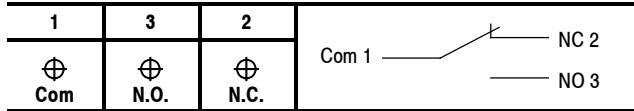


*Top Push*      *Top Push Panel Mount*      *Top Roller Panel Mount*      *Top Push Cross Roller Panel Mount*      *Top Push Roller Booted*      *Top Push Cross Roller Booted*

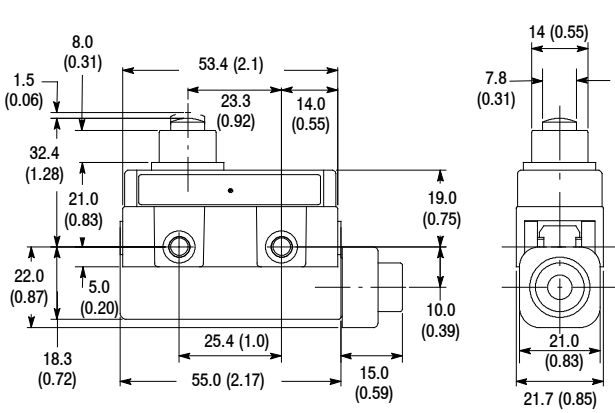
**Product Selection**

Head Type	Force to Operate	Travel to Operate	Max Travel	Travel to Reset	Mounting Style	Cat. No.
Top Push	11.8 N (2.65 lb)	1.5 mm (0.059 in.)	3.9 mm (0.154 in.)	0.2 mm (0.008 in.)	Side	802B-SSABXSX
Top Push Panel Mount			4.5 mm (0.177 in.)			802B-SPABXSX
Top Push Roller Panel Mount						802B-SPADX SX
Top Push Cross Roller Panel Mount			802B-SPAD1XSX			
Top Push Roller Booted	6.86 N (1.54 lb)	4 mm (0.157 in.)	4 mm (0.157 in.)	<b>802B-SSADBSX</b>		
Top Push Cross Roller Booted				802B-SSAD1BSX		

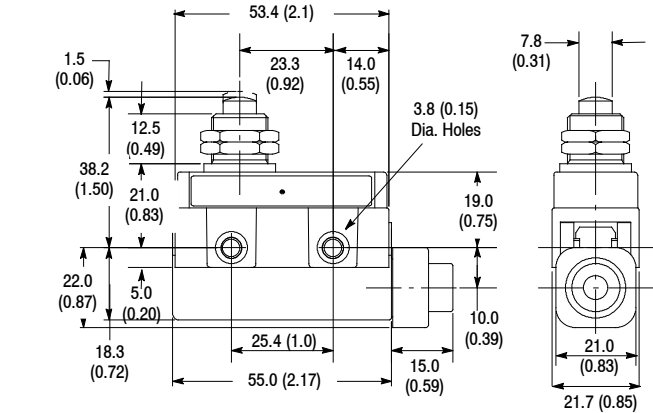
**Wiring Diagrams**



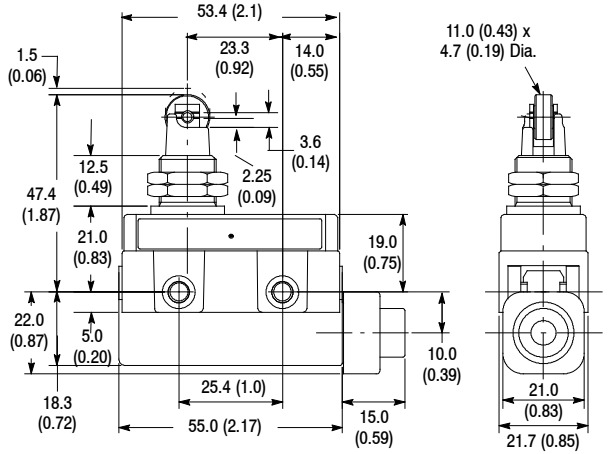
Approximate Dimensions [mm (in.)]



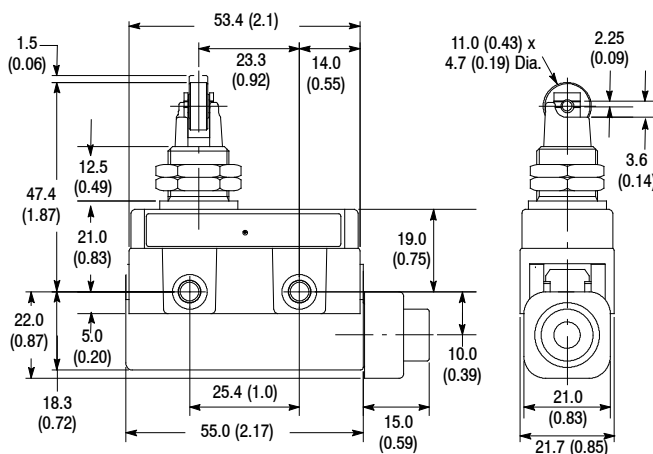
802B-SSABXSX



802B-SPABXSX

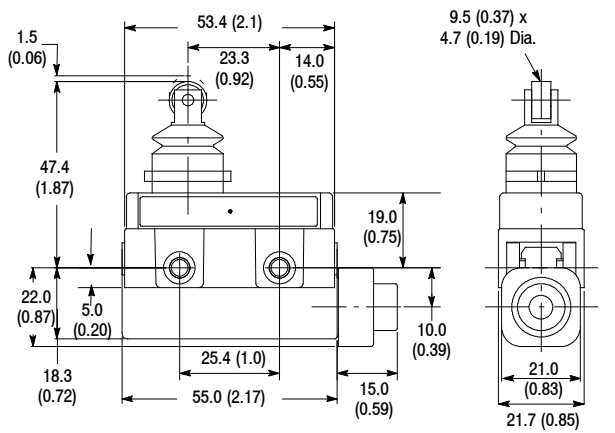


802B-SPADXSX

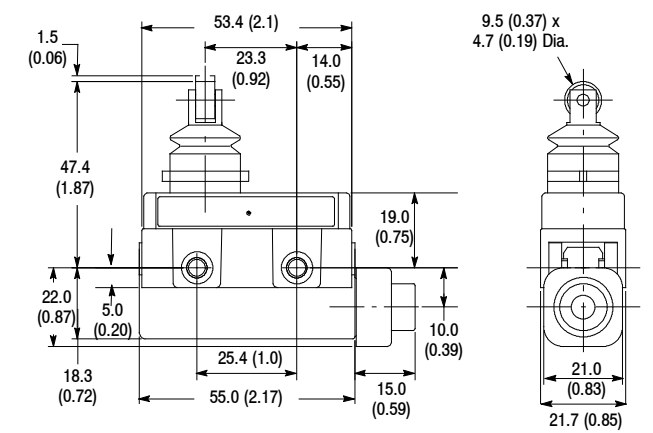


802B-SPAD1XSX

7.8  
(0.31)



802B-SSADBSX



802B-SSAD1BSX