

*Top Push Booted*

*Top Push  
Roller Booted*

*Top Push Cross  
Roller Booted*

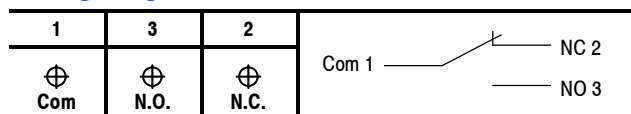
*Roller Lever  
Booted*

*One-Way Roller  
Lever Booted*

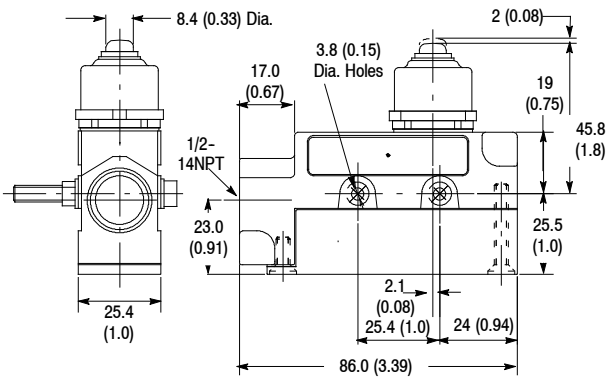
### Product Selection

Head Type	Force to Operate	Travel to Operate	Max Travel	Travel to Reset	Mounting Style	Cat. No.
Top Push Booted	7.85 N (1.76 lb)	2 mm (0.079 in.)	7 mm (0.276 in.)	0.1 mm (0.004 in.)	Side	<b>802B-PSABBSX</b>
Top Push Roller Booted	4.9 N (1.09 lb)	1 mm (0.039 in.)	4.5 mm (0.177 in.)	0.12 mm (0.005 in.)		<b>802B-PSADBSX</b>
Top Push Cross Roller Booted						<b>802B-PSAD1BSX</b>
Roller Lever Booted	6.28 N (1.40 lb)	5 mm (0.197 in.)	11 mm (0.433 in.)	0.4 mm (0.016 in.)		<b>802B-PSARBSX</b>
One-Way Roller Lever Booted						<b>802B-PSAR2BSX</b>

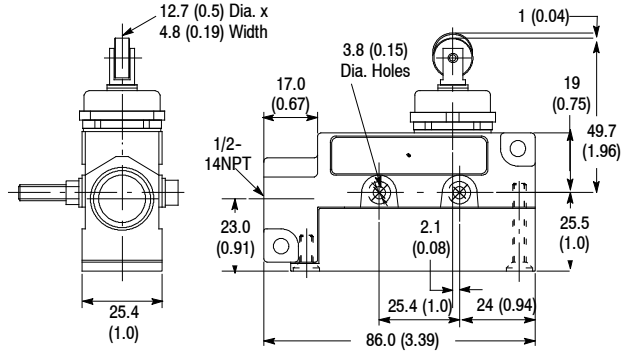
### Wiring Diagrams



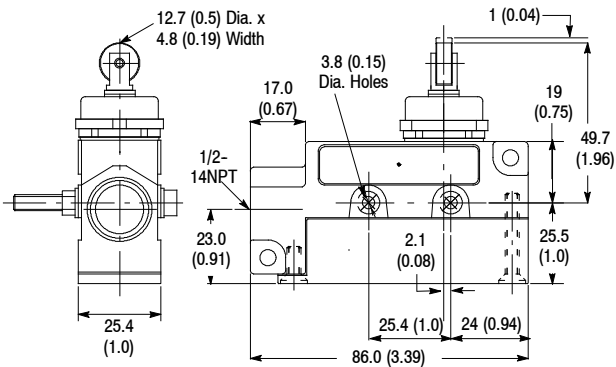
Approximate Dimensions [mm (in.)]



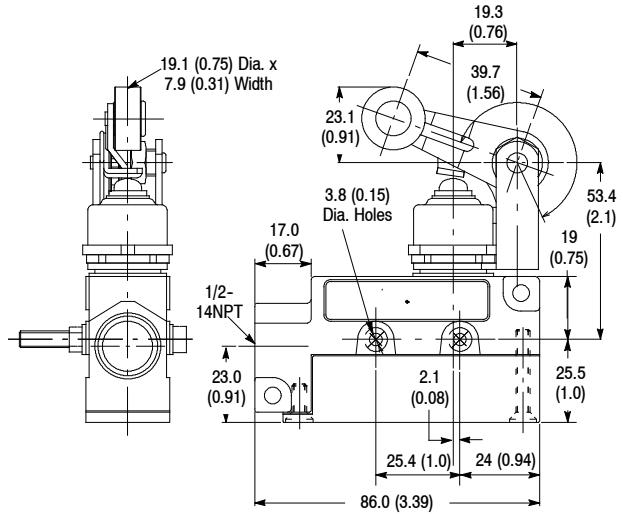
802B-PSABBSX



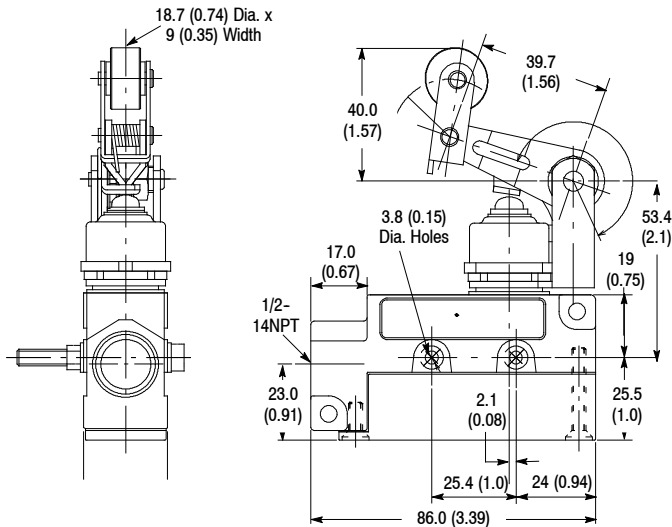
802B-PSADBSX



802B-PSAD1BSX



802B-PSARBSX



802B-PSAR2BSX