



Top Push

Top Push Roller

*Top Push
Cross Roller*

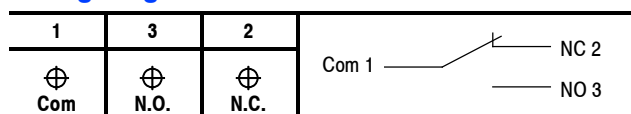
Roller Lever

*One-Way
Roller Lever*

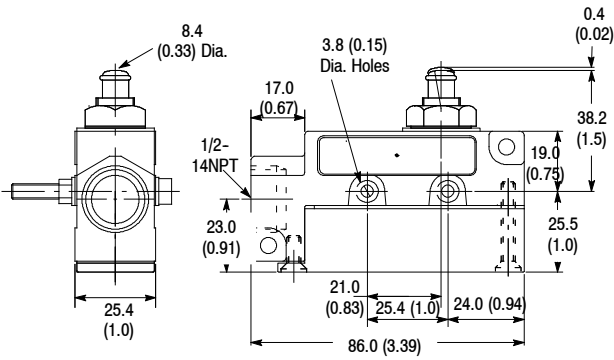
Product Selection

Head Type	Force to Operate	Travel to Operate	Max Travel	Travel to Reset	Mounting Style	Cat. No.
Top Push	2.45...3.43 N (0.55...0.77 lb)	0.4 mm (0.016 in.)	5.9 mm (0.232 in.)	0.05 mm (0.002 in.)	Side	802B-PSABXSX
Top Push Roller		0.5 mm (0.020 in.)	4.1 mm (0.161 in.)			802B-PSADXSX
Top Push Cross Roller						802B-PSAD1XSX
Roller Lever	5.59 N (1.28 lb)	4 mm (0.157 in.)	10 mm (0.394 in.)	0.4 mm (0.016 in.)		802B-PSARXSX
One-Way Roller Lever						802B-PSAR2XSX

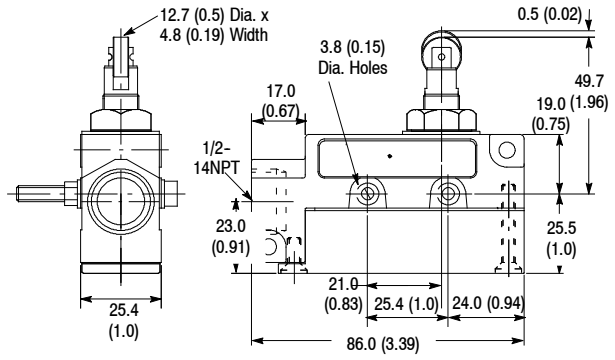
Wiring Diagrams



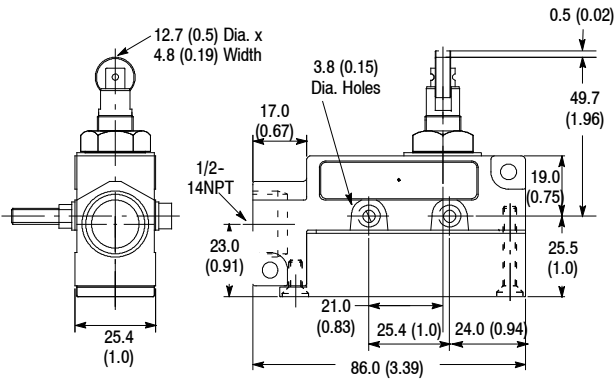
Approximate Dimensions [mm (in.)]



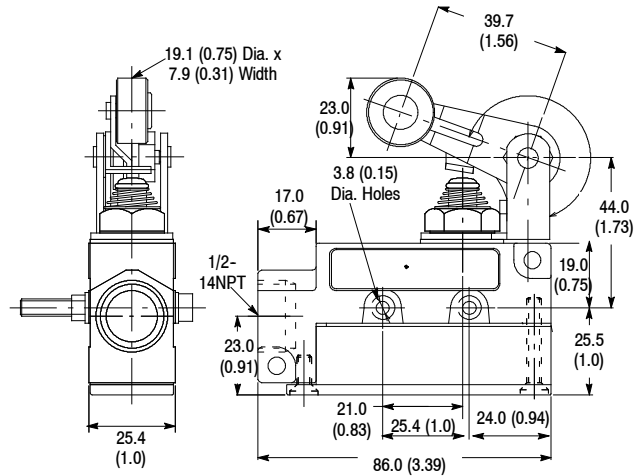
802B-PSABXSX



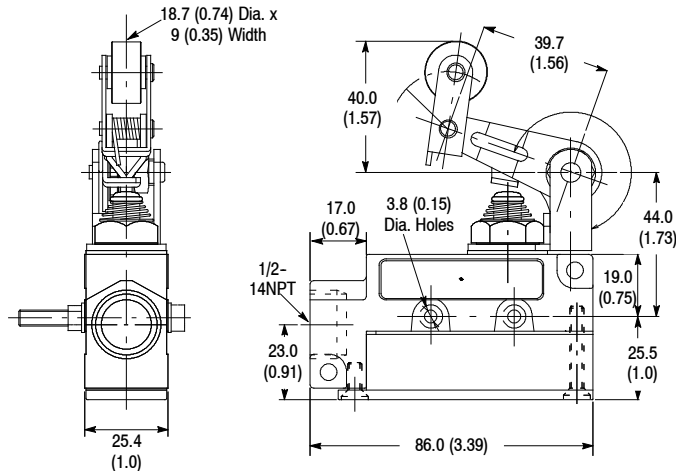
802B-PSADXSX



802B-PSD1XSX



802B-PSARXSX



802B-PSAR2XSX