

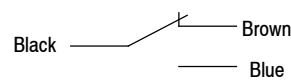
Product Selection

Head Type	Force to Operate	Travel to Operate	Max Travel	Travel to Reset	Output Type	Cat. No.	
						Pre-leaded	Quick-Disconnect ^①
Top Push Booted Head	17.65 N (3.97 lb)	1.8 mm (0.071 in.)	5 mm (0.197 in.)	0.2 mm (0.008 in.)	Standard	802B-CSABBSXC3	802B-CSABBSXD4
					AC LED		802B-CSABBSXR4
					DC LED		802B-CSABBSLR4
					Low Voltage/Current		802B-CSDBBSLD4
Top Push Roller Booted Head	17.65 N (3.97 lb)	1.8 mm (0.071 in.)	5 mm (0.197 in.)	0.2 mm (0.008 in.)	Standard	802B-CSADBSXC3	802B-CSADBSXD4
					AC LED		802B-CSADBSXR4
					DC LED		802B-CSADBSLR4
					Low Voltage/Current		802B-CSDBBSLD4
Top Push Cross Roller Booted Head	17.65 N (3.97 lb)	1.8 mm (0.071 in.)	5 mm (0.197 in.)	0.2 mm (0.008 in.)	Standard	802B-CSAD1BSXC3	802B-CSAD1BSXD4
					AC LED		802B-CSAD1BSXR4
					DC LED		802B-CSAD1BSLR4
					Low Voltage/Current		802B-CSDD1BSLD4

Wiring

Preleaded Models

COM	NO	NC	Ground
Black	Blue	Brown	Green/Yellow

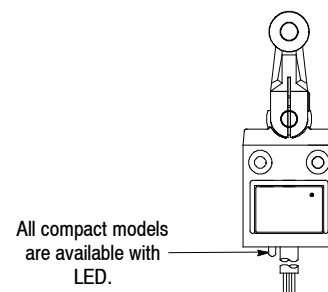


Quick-Disconnect Models

AC QD Pin-out:	DC QD Pin-out:
Pin 1 = Common	Pin 1 = N/O
Pin 2 = N/O	Pin 2 = Common
Pin 3 = N/C	Pin 3 = Grnd.
Pin 4 = Grnd.	Pin 4 = N/C



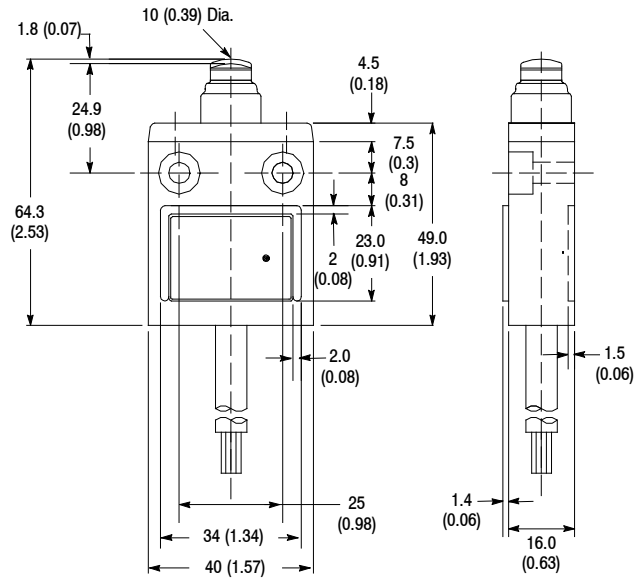
- ① For quick-disconnect versions the last two digits indicate connector type:
 802B-xxxxxxD4 Indicates a 4-pin DC micro style connector
 802B-xxxxxxR4 Indicates a 4-pin AC micro style connector
 QD is on a 6 in. pigtail.



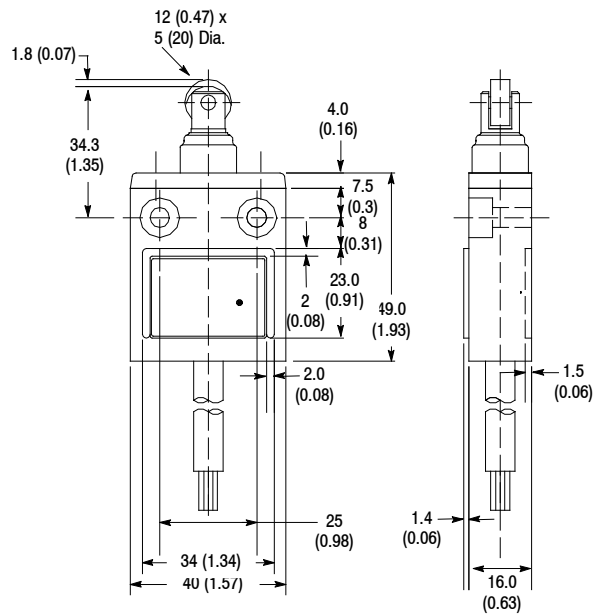
An appropriate female connector with cable is available in Connection Systems.
 4-pin micro DC = (889D-F4AC-2) on page 8-16
 4-pin micro DC = (889R-F4AEA-2) on page 8-28

802B Compact
Small Metal Body

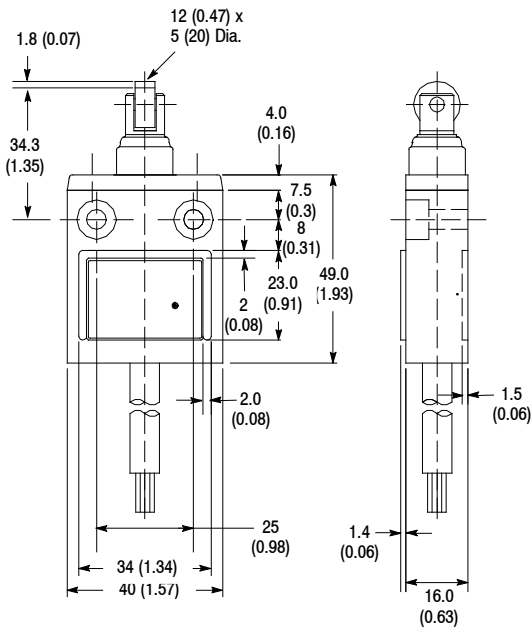
Approximate Dimensions [mm (in.)]



Top Push Sealed Head



Top Push Roller Sealed Head



Top Push Cross Roller Sealed Head