

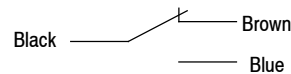
Product Selection

Head Type	Force to Operate	Travel to Operate	Max Travel	Travel to Reset	Output Type	Cat. No.		
						Pre-leaded	Quick-Disconnect ^①	
Top Push	11.77 N (2.65 lb)	1.8 mm (0.071 in.)	5 mm (0.197 in.)	0.2 mm (0.008 in.)	Standard	802B-CSABXSXC3	802B-CSABXSXD4	
					AC LED		802B-CSABXSXC3	802B-CSABXSXR4
					DC LED		802B-CSDBXSXC3	802B-CSDBXSXR4
					Low Voltage/Current		802B-CSDBXSXC3	802B-CSDBXSXD4
Top Push Bevel	11.77 N (2.65 lb)	1.8 mm (0.071 in.)	5 mm (0.197 in.)	0.2 mm (0.008 in.)	Standard	802B-CSAB1XSXC3	—	
					AC LED		802B-CSAB1XSXC3	—
					DC LED		802B-CSDB1XSXC3	—
					Low Voltage/Current		802B-CSDB1XSXC3	—
Top Push Roller	11.77 N (2.65 lb)	1.8 mm (0.071 in.)	5 mm (0.197 in.)	0.2 mm (0.008 in.)	Standard	802B-CSADXXC3	802B-CSADXSD4	
					AC LED		802B-CSADXXC3	802B-CSADXSLR4
					DC LED		802B-CSDDXXXC3	802B-CSDDXXSLD4
					Low Voltage/Current		802B-CSDDXXXC3	—
Top Push Cross Roller	11.77 N (2.65 lb)	1.8 mm (0.071 in.)	5 mm (0.197 in.)	0.2 mm (0.008 in.)	Standard	802B-CSAD1XSXC3	802B-CSAD1XSD4	
					AC LED		802B-CSAD1XSXC3	802B-CSAD1XSLR4
					DC LED		802B-CSDD1XSXC3	802B-CSDD1XSLD4
					Low Voltage/Current		802B-CSDD1XSXC3	—

Wiring

Pre-leaded Models

COM	NO	NC	Ground
Black	Blue	Brown	Green/Yellow



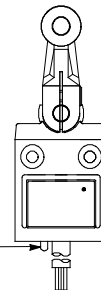
Quick-Disconnect Models

AC QD Pin-out:	Male Receptacle	DC QD Pin-out:	Male Receptacle
Pin 1 = Common		Pin 1 = N/O	
Pin 2 = N/O		Pin 2 = Common	
Pin 3 = N/C		Pin 3 = Grnd.	
Pin 4 = Grnd.		Pin 4 = N/C	

① For quick-disconnect versions the last two digits indicate connector type:
 802B-xxxxxxD4 Indicates a 4-pin DC micro style connector
 802B-xxxxxxR4 Indicates a 4-pin AC micro style connector
 QD ia on a 6 in. pigtail.

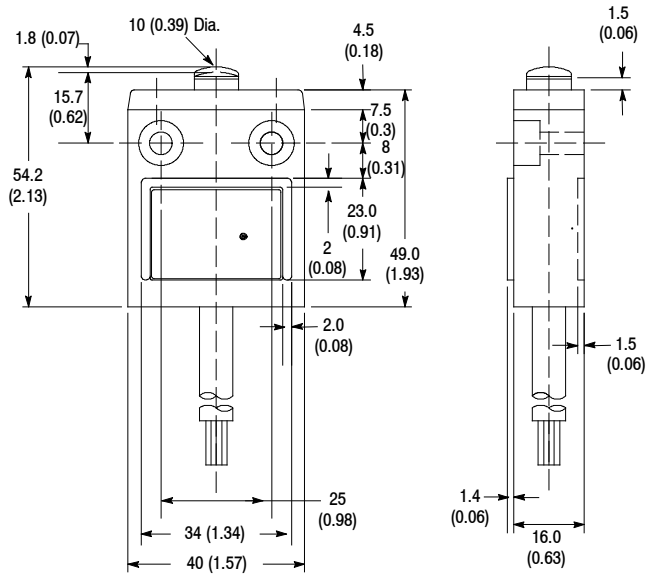
An appropriate female connector with cable is available in Connection Systems.
 4-pin micro DC = (889D-F4AC-2) on page 8-16
 4-pin micro DC = (889R-F4AEA-2) on page 8-28

All compact models are available with LED.

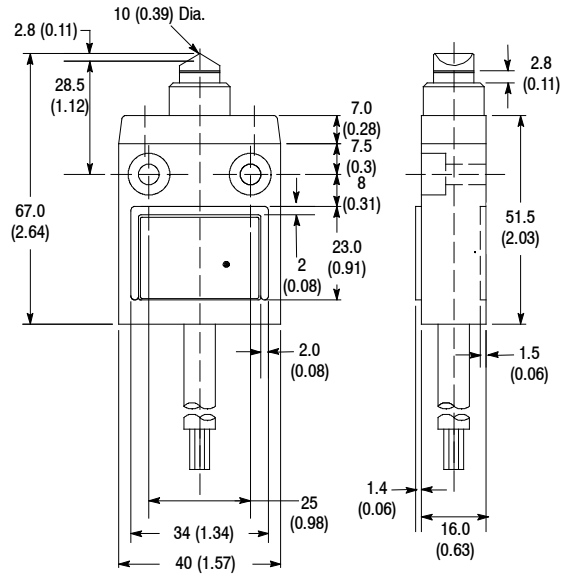


802B Compact
Small Metal Body

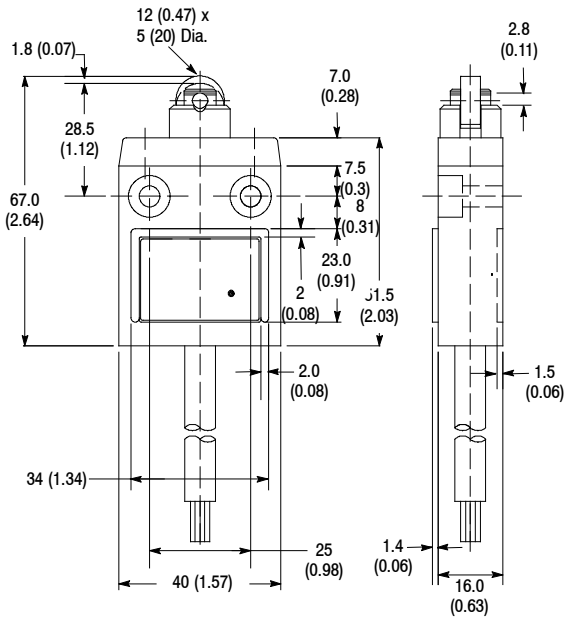
Approximate Dimensions [mm (in.)]



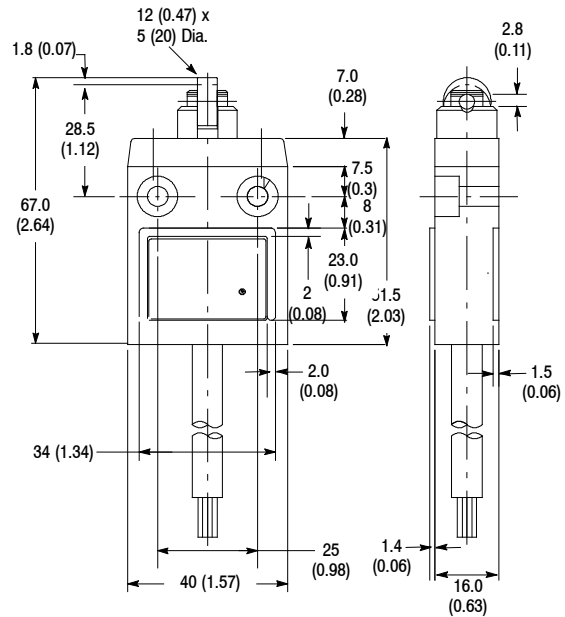
Top Push



Top Push Bevel



Top Push Roller



Top Push Cross Roller