

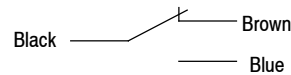
**Product Selection**

Head Type	Torque to Operate	Travel to Operate	Reference Value		Output Type	Cat. No.	
			Max Travel	Travel to Reset		Pre-leaded	Quick-Disconnect <sup>1</sup>
Rotary Arm	0.216 N•m (2 lb•in.)	25°	70°	3°	Standard	<b>802B-CSAAXSXC3</b>	802B-CSAAXSXD4
					AC LED		802B-CSAAXSLC3
					DC LED	802B-CSDAXSLC3	802B-CSDAXSLD4
					Low Voltage/Current	802B-CSDAXSXC3	—
Center Rotary Arm	0.216 N•m (2 lb•in.)	10 ±3°	65°	4°	Standard	802B-CSAA2XSXC3	—
					AC LED	802B-CSAA2XSLC3	—
					DC LED	802B-CSDA2XSLC3	—
					Low Voltage/Current	802B-CSDA2XSXC3	—
Wobble Stick	0.118 N•m (1.04 lb•in.)	15°	18° (Nominal Value)	11° (Nominal Value)	Standard	<b>802B-CSACXSXC3</b>	802B-CSACXSXD4
					AC LED		802B-CSACXSLC3
					DC LED	802B-CSDCXSLC3	—
					Low Voltage/Current	802B-CSDCXSXC3	—

**Wiring**

**Pre-leaded Models**

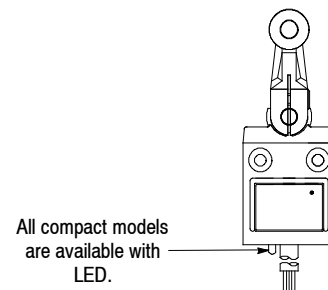
COM	NO	NC	Ground
Black	Blue	Brown	Green/Yellow



**Quick-Disconnect Models**

AC QD Pin-out:	DC QD Pin-out:
Pin 1 = Common	Pin 1 = N/O
Pin 2 = N/O	Pin 2 = Common
Pin 3 = N/C	Pin 3 = Grnd.
Pin 4 = Grnd.	Pin 4 = N/C
Male Receptacle	Male Receptacle

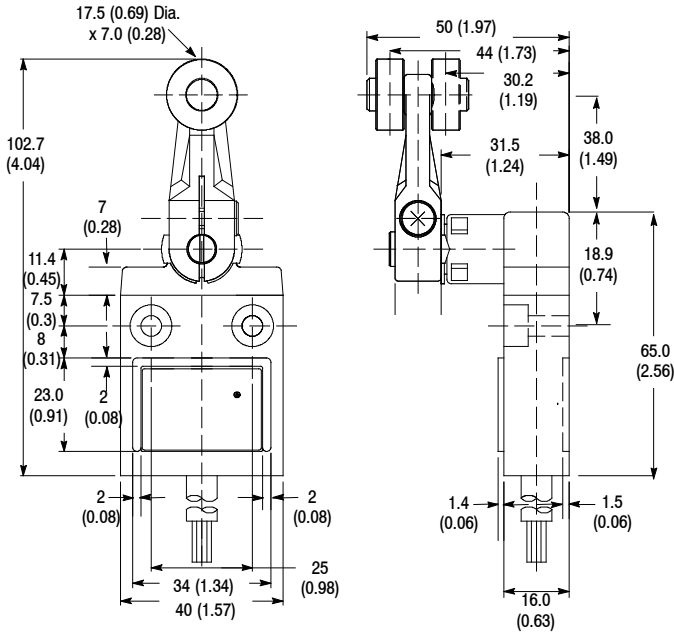
<sup>1</sup> For quick-disconnect versions the last two digits indicate connector type:  
 802B-xxxxxxD4 Indicates a 4-pin DC micro style connector  
 802B-xxxxxxR4 Indicates a 4-pin AC micro style connector  
 QD is on a 6 inch pigtail.



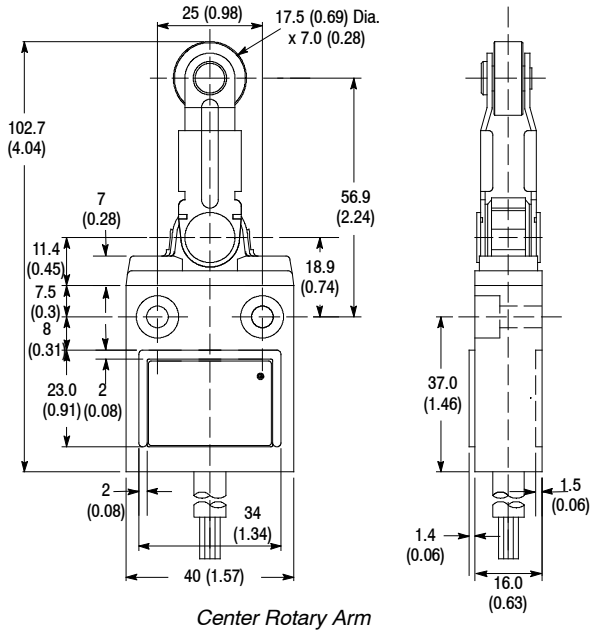
An appropriate female connector with cable is available in Connection Systems.  
 4-pin micro DC = (889D-F4AC-2) on page 8-16  
 4-pin micro DC = (889R-F4AEA-2) on page 8-28

**802B Compact**  
Small Metal Body

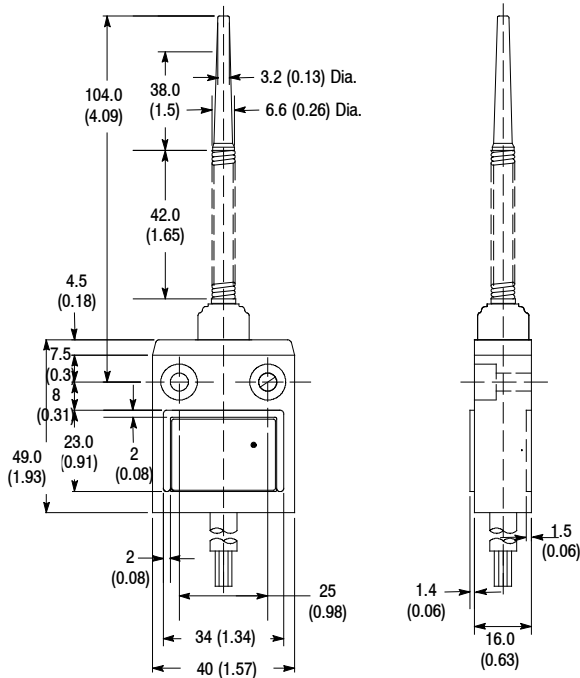
Approximate Dimensions [mm (in.)]



Rotary Arm



Center Rotary Arm



Wobble Stick

Counter Bore = 102. mm Dia  
 Mounting Hole = 5.1 mm Dia  
 Counter Bore Depth = 5.8 mm  
 Mounting Hole Depth = 10.1 mm  
 Cable Dia. = 8.5 mm