



Top Push  
Panel Mount



Top Push Roller  
Panel Mount



Top Push Cross  
Roller Panel Mount

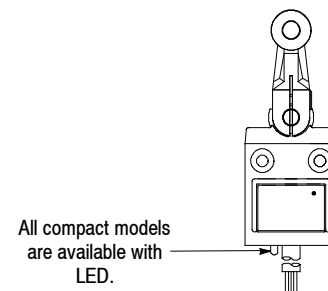
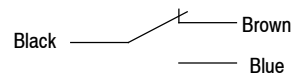
### Product Selection

Head Type	Force to Operate	Travel to Operate	Max Travel	Travel to Reset	Output Type	Cat. No.
Top Push Panel Mount	11.77 N (2.65 lb)	1.8 mm (0.071 in.)	5 mm (0.197 in.)	0.2 mm (0.008 in.)	Standard	802B-CPABXSXC3
					AC LED	802B-CPABXSCLC3
					DC LED	802B-CPDBXSCLC3a.
					Low Voltage/Current	802B-CPDBXSXC3
Top Push Roller Panel Mount	11.77 N (2.65 lb)	1.8 mm (0.071 in.)	5 mm (0.197 in.)	0.2 mm (0.008 in.)	Standard	802B-CPADXXC3
					AC LED	802B-CPADXSLC3
					DC LED	802B-CPDDXSCLC3
					Low Voltage/Current	802B-CPDDXSXC3
Top Push Cross Roller Panel Mount	11.77 N (2.65 lb)	1.8 mm (0.071 in.)	5 mm (0.197 in.)	0.2 mm (0.008 in.)	Standard	802B-CPAD1XSXC3
					AC LED	802B-CPAD1XSLC3
					DC LED	802B-CPDD1XSLC3
					Low Voltage/Current	802B-CPDD1XSXC3

### Wiring

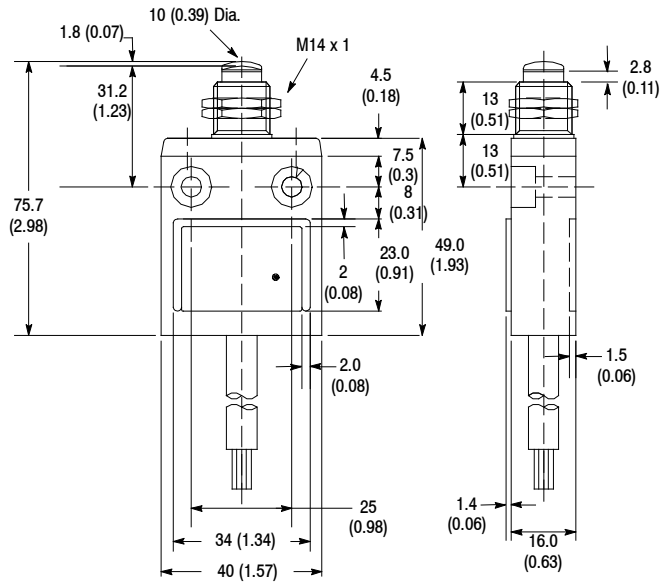
#### Preleaded Models

COM	NO	NC	Ground
Black	Blue	Brown	Green/Yellow

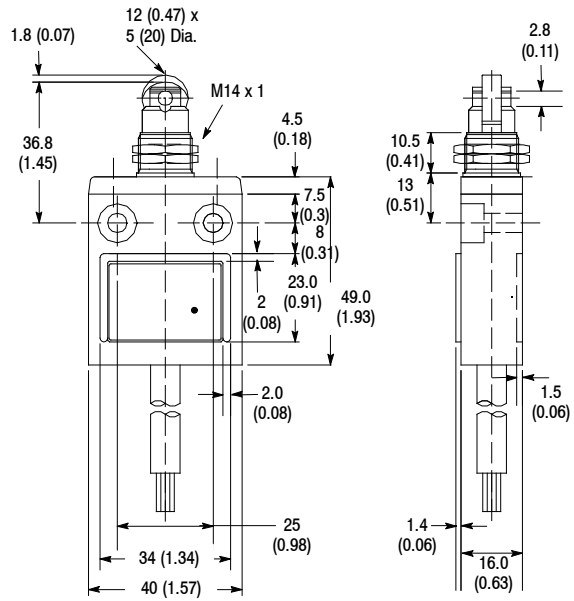


**802B Compact**  
Small Metal Body

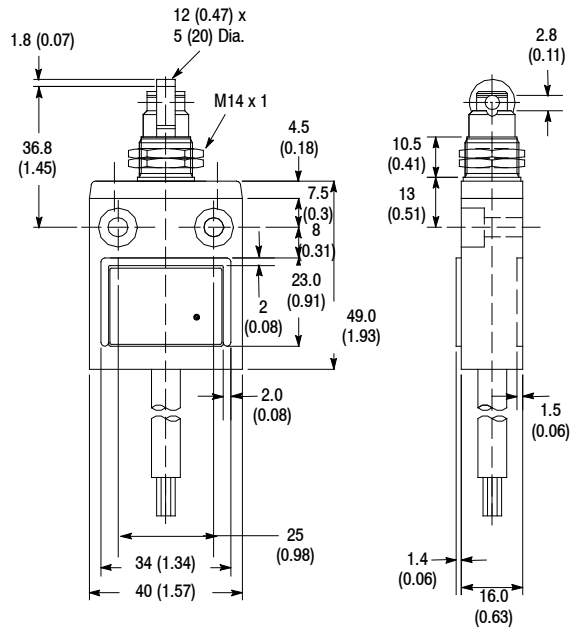
Approximate Dimensions [mm (in.)]



Top Push Panel Mount



Top Push Roller Panel Mount



Top Push Cross Roller Panel Mount