








Locking Attachments

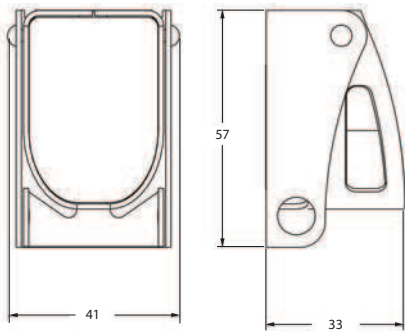
	Description	Type	Pkg. Quantity	Cat. No.
 <i>Cat. No. 800F-AFL1</i>	<p>Locking Attachments are used to lock push button in the depressed position.</p> <ul style="list-style-type: none"> -N.C. contacts are open -N.O. contacts may or may not be open -N.C.L.B. contacts may or may not be closed -N.O.E.M contacts are closed 	Flush momentary, non-illuminated	1	800F-AFL1
 <i>Cat. No. 800F-AEL1</i>		Extended momentary, non-illuminated		800F-AEL1
 <i>Cat. No. 800F-AML1</i>		Momentary mushroom		800F-AML1
 <i>Cat. No. 800F-AML2</i>		Maintained mushroom		800F-AML2
	Description	Lock Position	Pkg. Quantity	Cat. No.
 <i>Cat. No. 800F-ASL2L</i>	<p>Selector Switch Locking Attachment Locks standard knob selector switch in specified position</p>	2-position selector switches, left lock	1	800F-ASL2L
		3-position selector switches, center lock		800F-ASL3C
 <i>Cat. No. 800F-ASL23A</i>	<p>Selector Switch Locking Attachment Ability to put two locks on standard knob selector switch.</p>	2- or 3-position selector switches, all positions		800F-ASL23A
	Description	Type	Pkg. Quantity	Cat. No.
 <i>Cat. No. 800F-AL01</i>	<p>Locking Cover Used on flush, extended and guarded momentary and alternate action operators, and standard knob selector switch operators.</p>	—	1	800F-AL01

22.5 mm Push Buttons

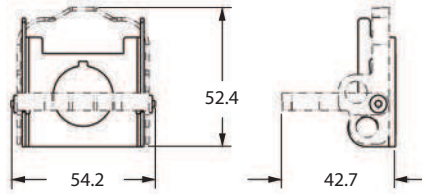
Approximate Dimensions

Dimensions in millimeters. Dimensions are not intended to be used for manufacturing purposes.

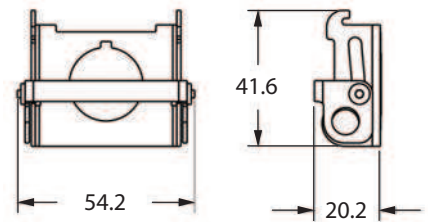
Locking Cover



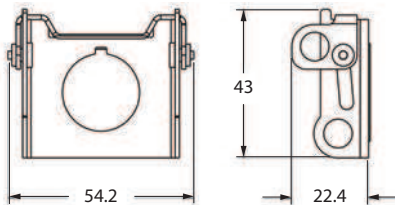
Maintained Mushroom Locking Attachment



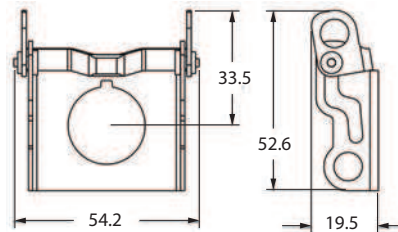
Momentary Mushroom Locking Attachment



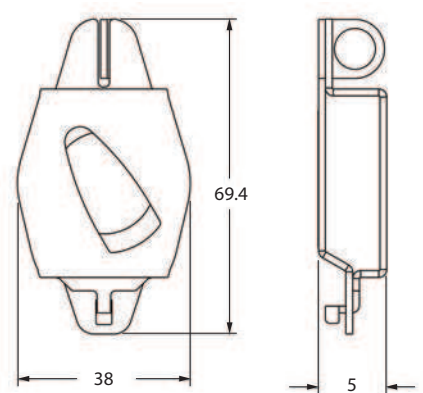
Extended Non-Illuminated Locking Attachment



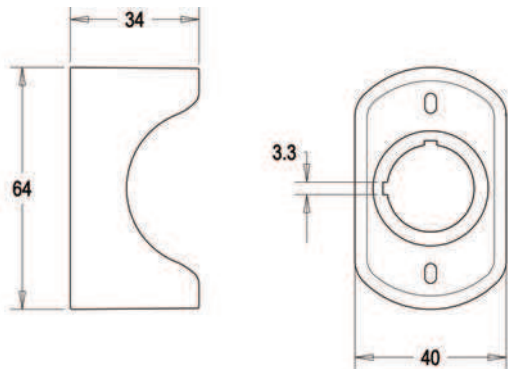
Flush Non-Illuminated Locking Attachment



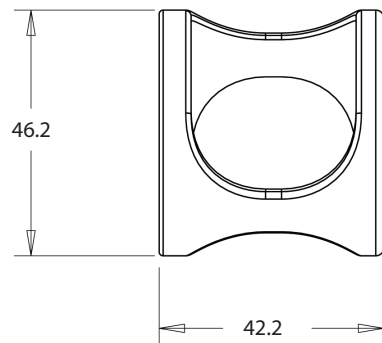
Selector Switch Locking Cover (Same for all Lock Positions)



Narrow Guard



Protective Ring



Plastic Guard

