

Plastic and Metal Enclosures



Plastic Enclosure
 Cat. No. 800F-3PM



Metal Enclosure
 Cat. No. 800F-5MM

Plastic Enclosures (Latch or Base Mounting)

- Accepts two-piece snap-in legends
- One-hole enclosure accepts 60 mm emergency stop legends
- UL Listed, CSA Certified

Metal Enclosures (Latch or Base Mounting)

- Feed-through design
- Accepts two-piece snap-in legends
- Includes base mount adapter

Type	Pkg. Quantity	Enclosures							
		Plastic (IP66, 4/4X)				Metal — Die Cast (IP66, 4/13)*			
		PG Conduit Knockouts		Metric Conduit Knockouts		PG Conduit Openings		Metric Conduit Openings	
		Cat. No.		Cat. No.		Cat. No.		Cat. No.	
1-hole	1	*‡	800F-1PP	*‡	800F-1PM	♣	800F-1MP	♣	800F-1MM
2-hole		*‡	800F-2PP	*‡	800F-2PM	♣	800F-2MP	♣	800F-2MM
3-hole		*‡	800F-3PP	*‡	800F-3PM	♣	800F-3MP	♣	800F-3MM
4-hole		*‡	800F-4PP	*‡	800F-4PM				
5-hole		—		—		>	800F-5MP	>	800F-5MM
6-hole		*§	800F-6PP	*§	800F-6PM				
1-hole (yellow)		*	800F-1YP	*	800F-1YM	♣	800F-1MYP	♣	800F-1MYM
1-hole (yellow) latch only						♣	800F-1LYP	♣	800F-1LYM
1-hole (yellow) dual circuit		※	800F-1YPD	※	800F-1YMD				

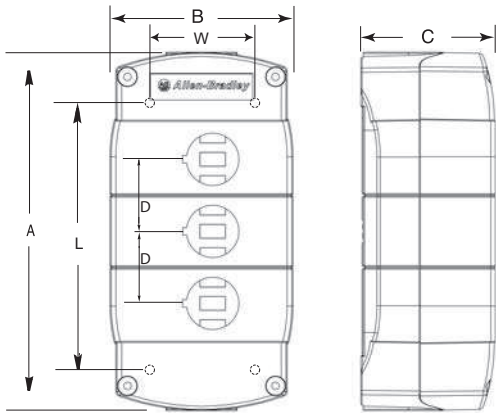
- * Can only use single deep contact block.
- ※ Can stack contact blocks two deep or one dual circuit contact block.
- ‡ Knockouts: PG (PG11/16), Metric (M16/20)
- § Knockouts: PG (PG16), Metric (M25)
- ♣ Openings: PG (PG16), Metric (M20)
- > Openings: PG (PG16), Metric (M32)

Assembled Stations

Enclosure Material	Operator Type	Illumination Voltage	Contact Configuration	Cat. No.	
				PG Knockouts	Metric Knockouts
1-Hole, Yellow Plastic	Red 90 mm momentary	Non-illuminated	1 N.C.	800F-1YP1M94	800F-1YM1M94
			1 N.O./1 N.C.	800F-1YP2M94	800F-1YM2M94
			2 N.C.	800F-1YP3M94	800F-1YM3M94
1-Hole, Grey Plastic	Black 90 mm momentary		1 N.O./1 N.C.	800F-1PP2M92	800F-1PM2M92
	Black Push Button		1 N.O.	800F-1PP1	800F-1PM1
	"0-1" 2-Position Selector Switch		1 N.O.	800F-1PP2	800F-1PM2
	"OFF-ON" 2-Position Selector Switch		1 N.O. / 1 N.C.	800F-1PP3	800F-1PM3
	↔ (Flush Black)		1 N.O.	800F-1PP4	—
2-Hole, Grey Plastic	Start and Stop Push Buttons		1 N.O./1 N.C.	800F-2PP1	—
3-Hole, Grey Plastic	↑ (Flush Black) O (Extended Red) ↓ (Flush Black)		4 N.O./1 N.C.	800F-3PP1	—

Dimensions in millimeters. Dimensions are not intended to be used for manufacturing purposes.

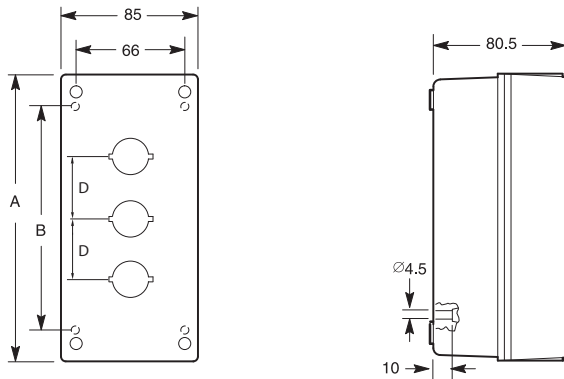
Plastic Enclosures*



Cat. No.	No. of Holes	A	B	C	D	Mounting Holes	
						W	L
800F-1P*	1	85	89	58	—	58	59
800F-1Y*D		85	89	74	—	58	65
800F-2P*	2	124	79	58	31	48	102.5
800F-3P*	3	155	79	58	31	48	133
800F-4P*	4	186	79	58	31	48	164.5
800F-6P*	6	248	87	64	31	55	224

* Mounting screw — pan head with diameter ≤ 7 mm.

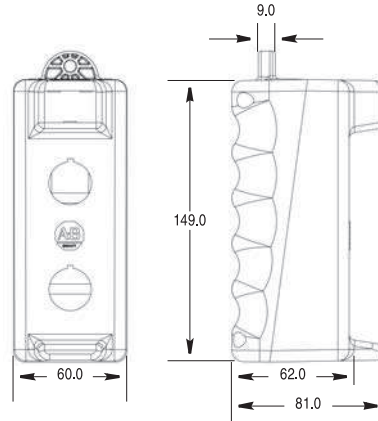
Metal Enclosures



Cat. No.	No. of Units (Holes)	A	B	D
800F-1M*	1	99	62	—
800F-2M*	2	137	100	37.5
800F-3M*	3	174	137	37.5
800F-5M*	5	249	212	37.5

* P = PG conduit holes or M = Metric conduit holes

Pendant Stations



Note: Cable opening = 21.2 mm diameter

Instruction Sheet

OPTIONAL EN OPTION
 OPTIONAL PLASTIC
 OPCIONAL
 OPZIONALE

(A)	(A)	(B)	(A)	(B)	(A)	(B)	(A)	(B)
40	50	40	50	40/60	50/60	60/90	70	50
30	48	40/60	60/90	30	50			

1- 4,8 mm
 "Clic"
 "Clic"

1- 2,8 mm
 "Clic"
 "Clic"

1- 6 mm
 "Clic"

1- 4 mm

7 mm
 0,75 - 1,5 mm²
 (#18 - #14 AWG)

0,6 mm
 3,5 mm
 8 mm

0,75 - 2,5 mm²
 (#18 - #12 AWG)

0,7 - 0,9 Nm
 6 - 8 lb-in

1,2 Nm
 10 lb-in

PLASTIC
 PLASTIK
 PLÁSTICO
 PLÁSTICA

1,7 Nm
 15 lb-in

METAL
 METALL
 METAL
 METALLO

4,4 Nm
 40 lb-in