

22.5 mm Push Buttons

Accessories

Legend Plates

Ordering Information*§

Standard Text/Symbols

1. Select the cat. no. for the appropriate legend size and color from the Selection Tables on this page.
2. Complete the cat. no. by adding the appropriate suffix no. selected from pages 10-116...10-119. Font size is automatically determined by the number of characters, as shown in the following table. Do not add the font code to the cat. no.

Font Size	No. of Characters		
	One-Piece Legend Plate	Two-Piece Legend Plate	Special Multi-Function Legend Plate
K (small)	>14	>13	>6
S (standard)	≤14	≤13	≤6

Example: **Cat. No. 800F-11WE101** identifies a white, 30 x 40 mm snap-in legend plate and frame with AUTO engraved on it.



Custom Text (text found on pages 10-116...10-119)

1. Select the cat. no. for the appropriate legend size and color from the Selection Tables on this page.
2. Add **E100** followed by the font code (K, S, L) from the following table.

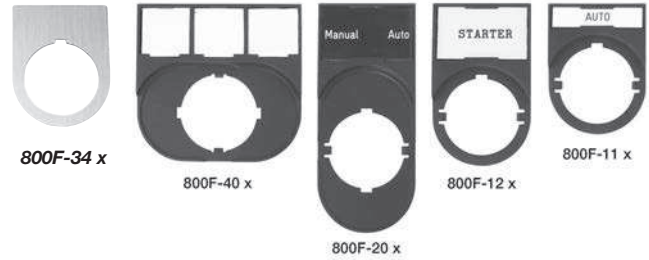
Font Size	Type of Legend Plate							
	One-Piece				Two-Piece			Special Multi-Function
	Max. Char. per Line	Max. No. of Lines		Max. Char. per Line	Max. No. of Lines		Max. Char. per Line	Max. No. of Lines
		30 x 40 mm	30 x 50 mm		30 x 40 mm	30 x 50 mm or 30 x 60 mm		
K (small)	16	2	5	15	2	5	7	3
S (standard)	14	2	3	13	1	3	6	3
L (large)	10	1	3	9	1	3	4	2

3. Complete the cat. no. by adding custom text to the order item's memo text or notes field.

Example: **Cat. No. 800F-12WE100K**, with **STARTER** text entered into memo text on order, identifies a white, 30 x 50 mm snap-in legend plate and frame with custom text STARTER engraved in small font.



Selection Tables*



Type	Description	Cat. No. (Blank)	Cat. No. (with Text Symbols)
30 x 40 mm 2-piece snap-in plate and frame	Red with white text	800F-11RE100	800F-11R□□□□
	White with black text	800F-11WE100	800F-11W□□□□
	Black with white text	800F-11BE100	800F-11B□□□□
30 x 50 mm 2-piece snap-in plate and frame	Aluminum with black text	800F-11AE100	800F-11A□□□□
	White with black text	800F-12WE100	800F-12W□□□□
	Black with white text	800F-12BE100	800F-12B□□□□
30 x 60 mm 2-piece snap-in plate and frame	Aluminum with black text	800F-12AE100	800F-12A□□□□
	White with black text	800F-20WE100	800F-20W□□□□
	Black with white text	800F-20BE100	800F-20B□□□□
Special multi-function 4-piece snap-in plates and frame	Aluminum with black text	800F-20AE100	800F-20A□□□□
	White with black text	800F-40WE100	—
	Black with white text	800F-40BE100	—
30 x 40 mm 1-piece	Aluminum with black text	800F-40AE100	—
	Red with white text	800F-34RE100	800F-34R□□□□
	White with black text	800F-34WE100	800F-34W□□□□
30 x 50 mm 1-piece	Black with white text	800F-34BE100	800F-34B□□□□
	Aluminum with black text	800F-34AE100	800F-34A□□□□
	Red with white text	800F-35RE100	800F-35R□□□□
30 x 40 mm snap-in plate only	White with black text	800F-35WE100	800F-35W□□□□
	Black with white text	800F-35BE100	800F-35B□□□□
	Aluminum with black text	800F-35AE100	800F-35A□□□□
30 x 50 mm snap-in plate only	Red with white text	800F-17RE100	800F-17R□□□□
	White with black text	800F-17WE100	800F-17W□□□□
	Black with white text	800F-17BE100	800F-17B□□□□
30 x 60 mm 1-piece	Aluminum with black text	800F-17AE100	800F-17A□□□□
	White with black text	800F-18WE100	800F-18W□□□□
	Black with white text	800F-18BE100	800F-18B□□□□
Special multi-function snap-in plate only‡	Aluminum with black text	800F-18AE100	800F-18A□□□□
	White with black text	800F-42WE100	800F-42W□□□□
	Black with white text	800F-42BE100	800F-42B□□□□
30 x 66 mm 1-piece	Aluminum with black text	800F-42AE100	800F-42A□□□□
	Yellow with black text	800F-37YE100	800F-37Y□□□□

Legend Plate Frame — 2-Piece Snap-In*

Type	Cat. No.	Type	Cat. No.
30 x 40 mm	800F-110	30 x 60 mm	800F-200
30 x 50 mm	800F-120	Special multi-function‡	800F-400

* Blank legend frames sold only in multiples of 10. Order (quantity of) 10 to receive one package of 10 pieces. Legends with standard text/symbols or custom text are packaged in quantities of 1.

§ Font code **K** = 0.08 in; font code **S** = 0.10 in; font code **L** = 0.14 in.

‡ Three snap-in plates are required for each legend frame.

§ For configuration assistance, see RAISE product selection software.

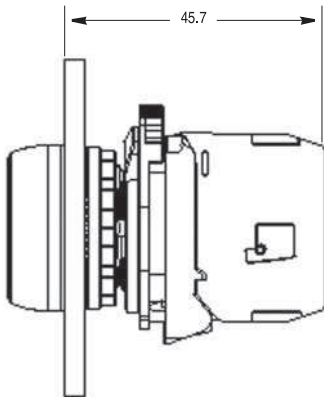
* Plate dimensions found on pages 10-122...10-123.

22.5 mm Push Buttons

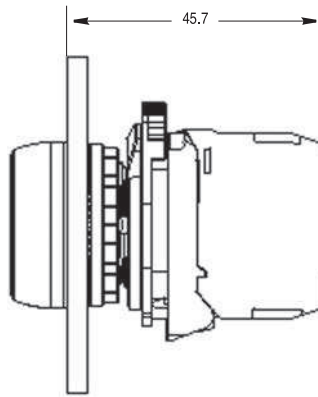
Approximate Dimensions

Dimensions in millimeters. Dimensions are not intended to be used for manufacturing purposes.

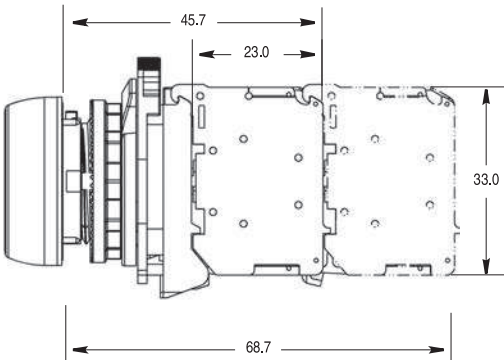
**Back-of-Panel Components —
Incandescent Module with Latch**



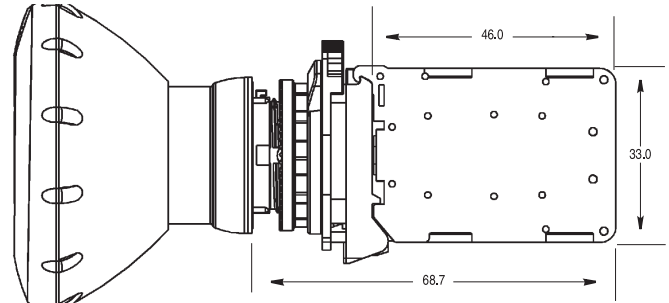
**Back-of-Panel Components —
LED Module with Latch**



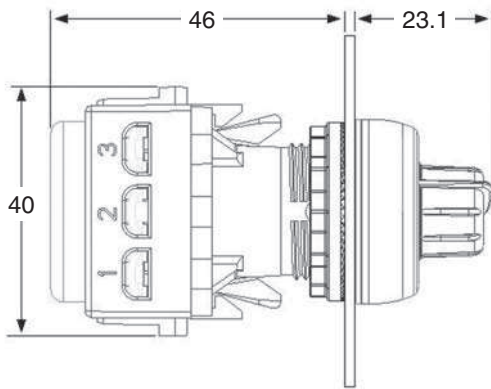
**Back-of-Panel Components —
Contact Cartridges with Latch**



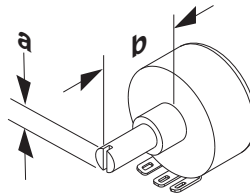
**Back-of-Panel Components —
Dual Circuit Contact Block or
Self Monitoring Contact Block
(Max. of 1 Deep)**



Potentiometer with Resistive Element



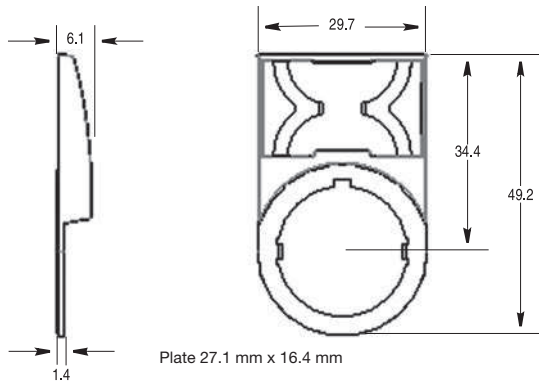
Customer Supplied Resistive Element



	Max.		Min.
a (Ø Dia.)	6.4 (0.252)	5.9 (0.232)	5.7 (0.224)
b (Length)	24 (0.945)	32 (1.26)	14 (0.551)

Dimensions in millimeters (inches).

30 x 50 mm Snap-In Legend Plate



10

30 x 40 mm Snap-In Legend Plate

