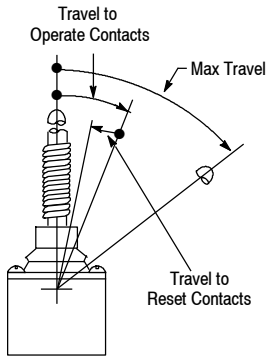


802T 2-Circuit Wobble Stick and Cat Whisker • Spring Return NonPlug-in Style Oiltight Switches

Range of Operation



Wobble Stick
Nylon Extension



Wobble Stick
Wire Extension



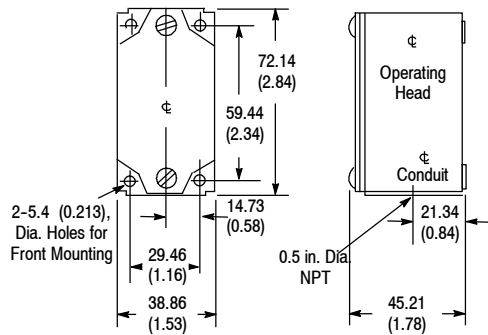
Cat Whisker

Product Selection

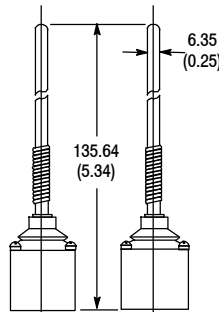
Operator Type	Contact Operation	Torque to Operate (Max.) [Ⓢ]	Travel to Operate Contacts (Max.) [Ⓢ]	Max Travel [Ⓢ]	Travel to Reset Contacts (Max.) [Ⓢ]	Cat. No.
Nylon Wobble Stick		0.51 N•m (4.5 lb•in)	9°	10°	4°	802T-WS
Wire Wobble Stick						802T-WS1
Wire Cat Whisker		0.06 N•m (8 oz•in)	21°	22°	14°	802T-CW

[Ⓢ] Operating travels and torque are measured at rigid section of stick or cat whisker.

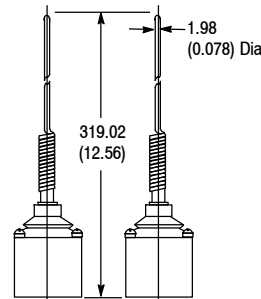
Approximate Dimensions [mm (in.)]



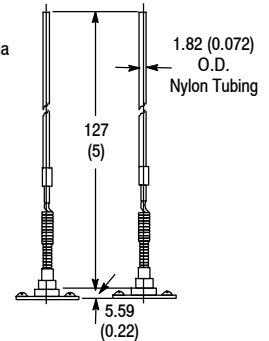
NonPlug-in Switch
Shipping Wt.
0.45 kg (1 lb)



Z-18210 Nylon
Wobble Stick Head
Shipping Wt.
0.128 kg (4.5 oz)



Z-18211 Wire
Wobble Stick Head
Shipping Wt.
0.149 kg (5.25 oz)

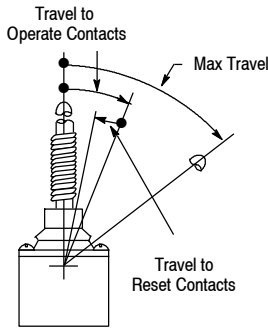


Z-25142
Cat Whisker Head
Shipping Wt.
0.028 kg (1 oz)

Modifications and Accessories—See page 5-73.

802T Vertical 4-Circuit Wobble Stick and Cat Whisker • Spring Return NonPlug-in Style Oiltight Switches

Range of Operation



Travels Are Measured at Rigid Section of Stick or Whisker

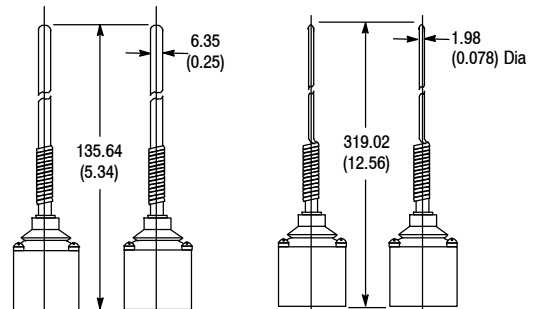
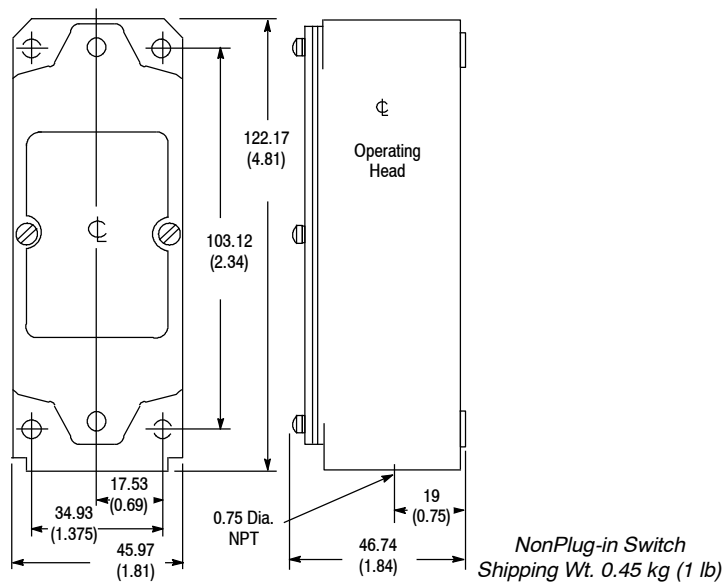


Product Selection

Operator Type	Contact Operation	Torque to Operate (Max.)	Travel to Operate Contacts (Max.)	Max Travel ①	Travel to Reset Contacts (Max.)	Cat. No.
Nylon Wobble Stick		0.79 N•m (7 lb•in)	12°	12°	9°	802T-WST
Wire Cat Whisker						802T-WS1T

① These switches should be mounted in such a way that the wobble stick or cat whisker will not be deflected beyond the "Maximum Travel" position, as this could cause undesirable repetition of contact action on rebound.

Approximate Dimensions [mm (in.)]



Z-18210 Nylon Wobble Stick Head
Shipping Wt. 0.128 kg (4.5 oz)

Z-18211 Wire Wobble Stick Head
Shipping Wt. 0.149 kg (5.25 oz)

Modifications and Accessories—See page 5-73.