


Surge and Filter Protection

Product Overview/Catalog Number Explanation/Product Selection

	<p>Bulletin 4983-DC DIN Rail Filter and Surge Protective Devices</p> <ul style="list-style-type: none"> • Small combination (filter and SPD) package size • Features Isatrol technology • All-mode transient protection with exceptional Line to Neutral value of 25 kA • LED power indication • Form C contact for remote status indication • DIN Rail mountable <p>Bulletin 4983-DC is the combination of a filter and a surge protective device. The Bulletin 4983-DC product meets both UL 1449 and UL 1283. This product allows transient and noise protection in one small package.</p>	<p>Table of Contents</p> <p>Product Selection..... this page Specifications..... 8-94 Approximate Dimensions..... 8-94</p> <p>Standards Compliance</p> <ul style="list-style-type: none"> • UL 1283 • UL 1449 • IEC 61643-1 • EN 61643-11 • CSA C22.2 <p>Certifications</p> <ul style="list-style-type: none"> • cURus Recognized Component (File No. E334011, Guide VZCA2, VZCA8), (File No. E316867, Guide FOKY2) • CSA • CE Marked
---	--	--

Cat. No. Explanation

Examples given in this section are for reference purposes. This basic explanation should not be used for product selection; not all combinations will produce a valid catalog number.

4983 — D C 120 3
 a *b* *c* *d*

a

Mount	
Code	Description
D	DIN Rail

b

Type	
Code	Description
C	Combo UL 1449/UL 1283

c

Voltage	
Code	Description
120	120V
240	240V

d

Current Rating	
Code	Description
3	3 A
5	5 A
10	10 A
20	20 A



DIN Rail Filter and Surge Protective Device — Bulletin 4983-DC

AC Network	Connection Mode	Frequency [Hz]	Max. Continuous Operating Voltage (MCOV) (Uc) [V AC]	Maximum Discharge Current 8/20µs (Imax) [kA]			Nominal Discharge Current 8/20µs (In) [kA]	UL1449 Voltage Protection Rating (VPR) [V AC]				Ampacity [A]	Cat. No.
				L/G	L/N	N/G		L/G	L/N	N/G	L-L		
120V AC	L/G, L/N, N/G	47...63	150	10	25	10	3	600	400	600	-	3.0	4983-DC120-03
												5.0	4983-DC120-05
												10	4983-DC120-10
												20	4983-DC120-20
240V AC	L/G, L/N, N/G	47...63	320	10	25	10	3	1200	-	-	800	3.0	4983-DC240-03
												5.0	4983-DC240-05
												10	4983-DC240-10
												20	4983-DC240-20

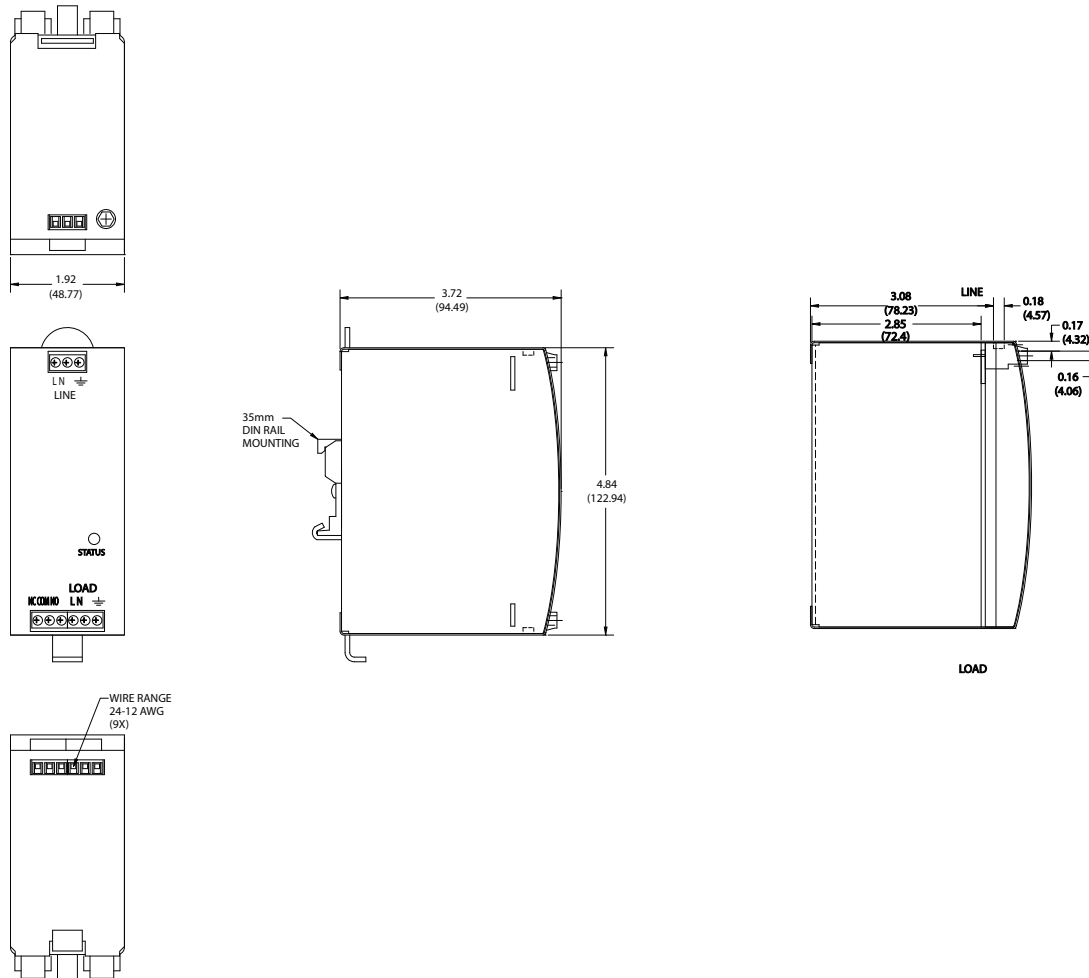
Bulletin 4983-DC
Surge and Filter Protection
 Specification/Approximate Dimensions

Specifications

Connection/Mounting Type	Series/DIN Rail mount
Enclosure	Metal, DIN Rail mount, product label
Approximate Weight	3 A — 1 lb 5 A — 1 lb 10 A — 1.5 lbs 20 A — 1.5 lbs
Modes of Protection	Line — Neutral Line — Line Line — PE Neutral — PE
Certifications	UR Recognized, CSA, CE Marked
Typical Cat. A Ringwave Rating	< 60V peak
Typical Cat. B Ringwave Rating	< 100V peak
Status Indication	Single green LED indicating MOV integrity Single form C contact (10 A @ 250V AC, 5 A @ 100V DC)
Response Time	Normal mode: < 0.5 ns Common Mode: < 5 ns
Operating Temperature	-40...+60 °C derate linearly to 60% @ +70 °C
Fusing	Appropriate external fusing is required
Frequency Response 100 kHz...50 MHz	Normal Mode (100 kHz...50 MHz) — 90 dB min. Common Mode (5...50MHz) — 60 dB min. 50 kHz cut-off frequency

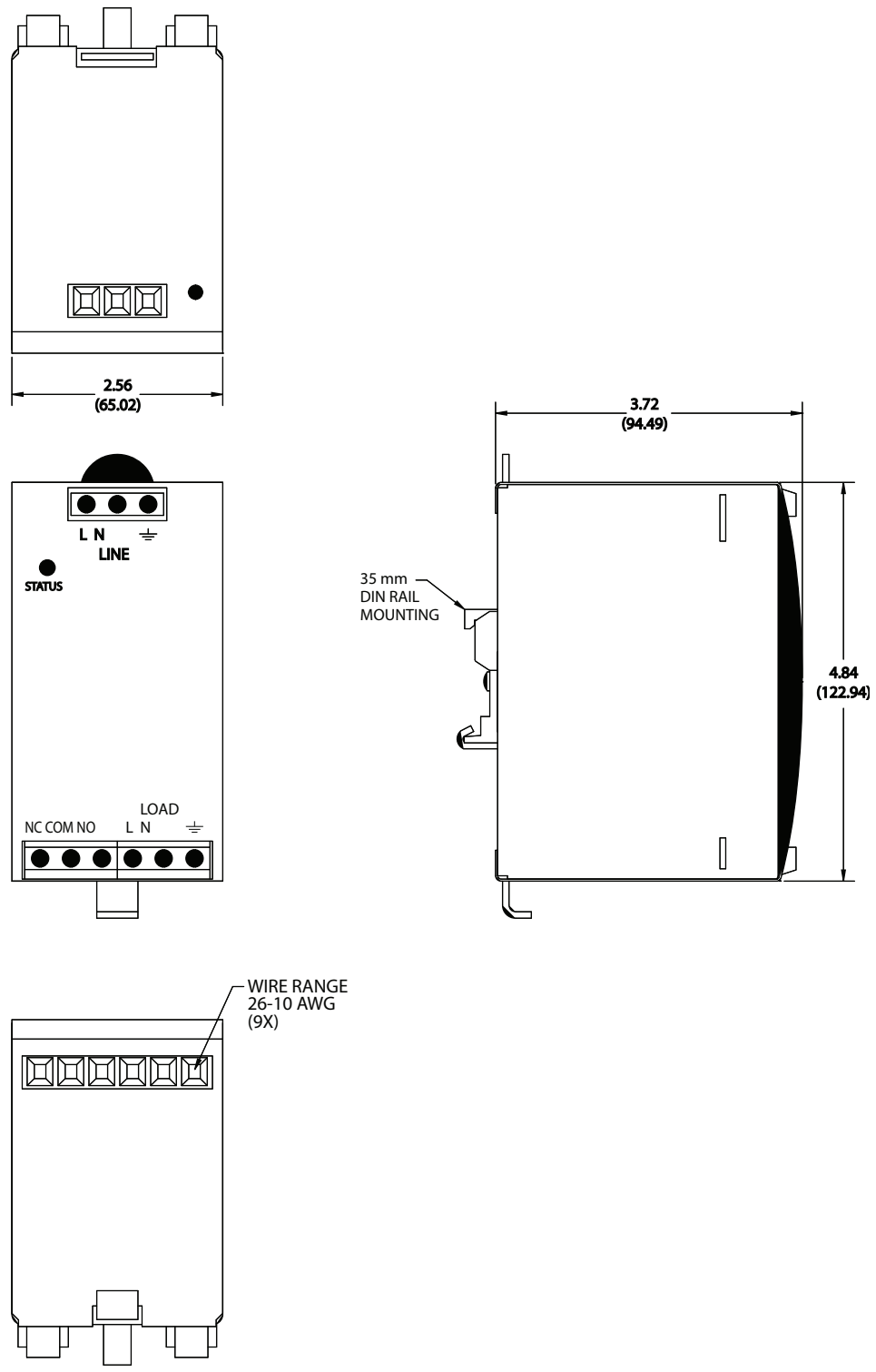
Approximate Dimensions

Note: Dimensions are shown in inches (millimeters). Dimensions are not intended for manufacturing purposes.



Cat. Nos. 4983-DCxxx-03, -DCxxx-05

Note: Dimensions are shown in inches (millimeters). Dimensions are not intended for manufacturing purposes.



Cat. Nos. 4983-DCxxx-10, -DCxxx-20