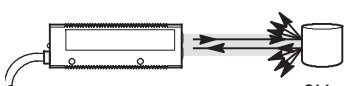
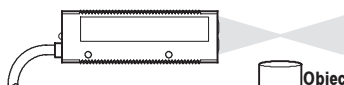
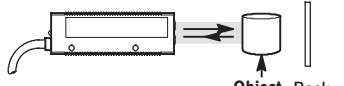
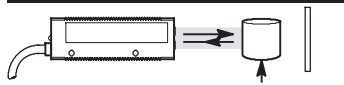
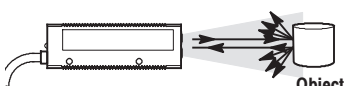


Product Selection

Sensing Mode	Operating Voltage Supply Current	Sensing Distance @ 1X Margin	Output Energized	Output Type Response Time	Connection Type	Cat. No.
 <p><i>Standard Diffuse</i> Field of View: 7.5° Emitter LED: Infrared 880 nm</p>	10...30V DC 35 mA	2.54...760 mm (0.1...30 in.) to White Paper	Light	NPN and PNP 200 mA 1 ms	3 m cable	42SRP-6002
			Dark		4-pin DC micro	42SRP-6002-QD
					3 m cable	42SRP-6003
			4-pin DC micro		42SRP-6003-QD	
	20...132V AC/DC 50...60 Hz 1.2V A	2.54...760 mm (0.1...30 in.) to White Paper	Light	Power MOSFET 300 mA AC/DC 12 ms AC, 5 ms DC	3 m cable	42SRP-6004
			Dark		4-pin AC micro	42SRP-6004-QD
					3 m cable	42SRP-6005
			4-pin AC micro		42SRP-6005-QD	
 <p><i>Fixed Focus Diffuse</i> Field of View: 1.52 mm (0.06 in.) square Emitter LED: Visible Red 660 nm</p>	10...30V DC 35 mA	27.9...28 mm (1.098...1.10 in.) to White Paper	Light	NPN and PNP 200 mA 1 ms	3 m cable	42SRP-6022
			Dark		4-pin DC micro	42SRP-6022-QD
					3 m cable	42SRP-6023
			4-pin DC micro		42SRP-6023-QD	
	20...132V AC/DC 50...60 Hz 1.2V A	27.9...28 mm (1.098...1.10 in.) to White Paper	Light	Power MOSFET 300 mA AC/DC 12 ms AC, 5 ms DC	3 m cable	42SRP-6024
			Dark		4-pin AC micro	42SRP-6024-QD
					3 m cable	42SRP-6025
			4-pin AC micro		42SRP-6025-QD	
 <p><i>Sharp Cutoff Diffuse</i> Field of View: 7.5° Emitter LED: Infrared 880 nm</p>	10...30V DC 35 mA	5...76 mm (0.2...3 in.) to White Paper	Light	NPN and PNP 200 mA 1 ms	3 m cable	42SRP-6032
			Dark		4-pin DC micro	42SRP-6032-QD
					3 m cable	42SRP-6033
			4-pin DC micro		42SRP-6033-QD	
	20...132V AC/DC 50...60 Hz 1.2V A	5...76 mm (0.2...3 in.) to White Paper	Light	Power MOSFET 300 mA AC/DC 12 ms AC, 5 ms DC	3 m cable	42SRP-6034
			Dark		4-pin AC micro	42SRP-6034-QD
					3 m cable	42SRP-6035
			4-pin AC micro		42SRP-6035-QD	
 <p><i>Sharp Cutoff Diffuse</i> Field of View: 7.5° Emitter LED: Infrared 880 nm</p>	20...264V AC/DC 50...60 Hz 1.2V A	5...76 mm (0.2...3 in.) to White Paper	Dark	Power MOSFET 150 mA AC/DC 18 ms AC, 10 ms DC	4-pin AC micro	42SRP-6037-QD
 <p><i>Wide Angle Diffuse</i> Field of View: 62° Emitter LED: Infrared 660 nm</p>	10...30V DC 35 mA	2.54...380 mm (0.1...15 in.) to White Paper	Light	NPN and PNP 200 mA 1 ms	3 m cable	42SRP-6012
			Dark		4-pin DC micro	42SRP-6012-QD
					3 m cable	42SRP-6013
			4-pin DC micro		42SRP-6013-QD	
	20...132V AC/DC 50...60 Hz 1.2V A	2.54...380 mm (0.1...15 in.) to White Paper	Light	Power MOSFET 300 mA AC/DC 12 ms AC, 5 ms DC	3 m cable	42SRP-6014
			Dark		4-pin AC micro	42SRP-6014-QD
					3 m cable	42SRP-6015
			4-pin AC micro		42SRP-6015-QD	

Refer to page 1-212 for cordsets and accessories.