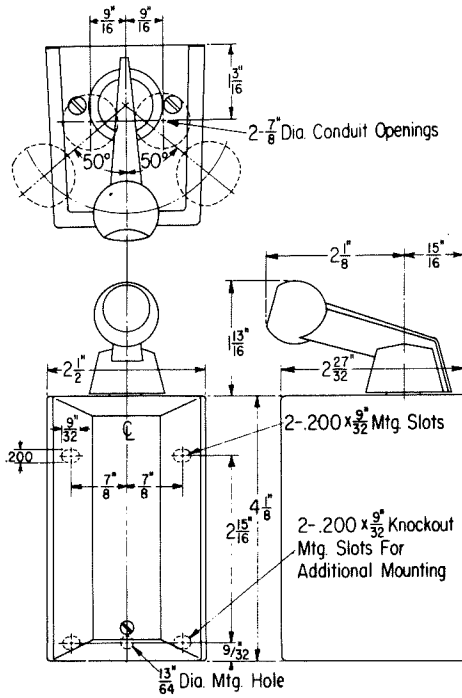
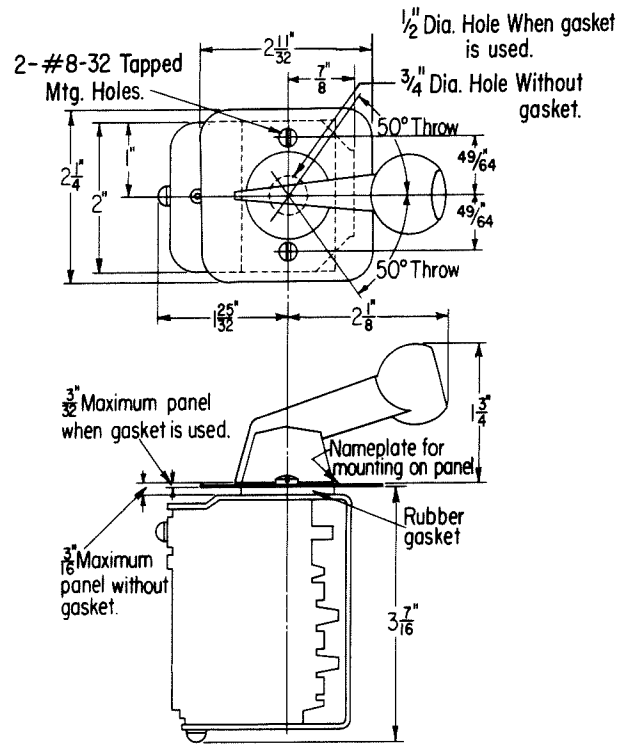


REVERSING DRUM SWITCHES • SIZES A & 1

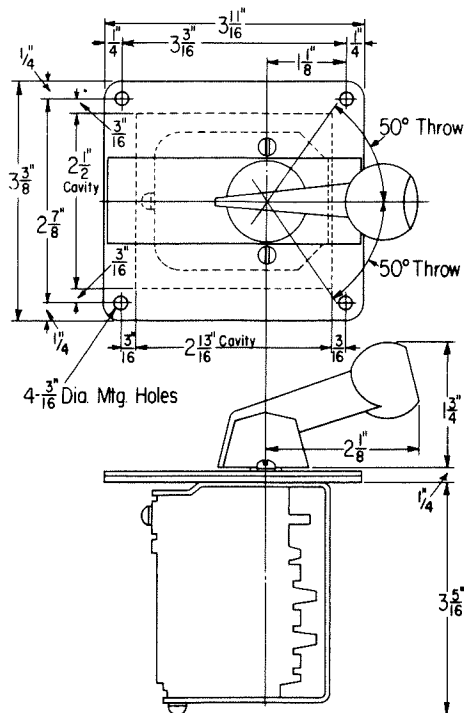
SIZE A



Surface Mounting
Approximate Shipping Weight 1½ Lbs.



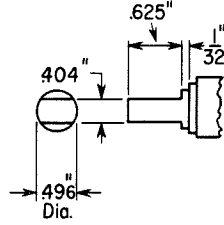
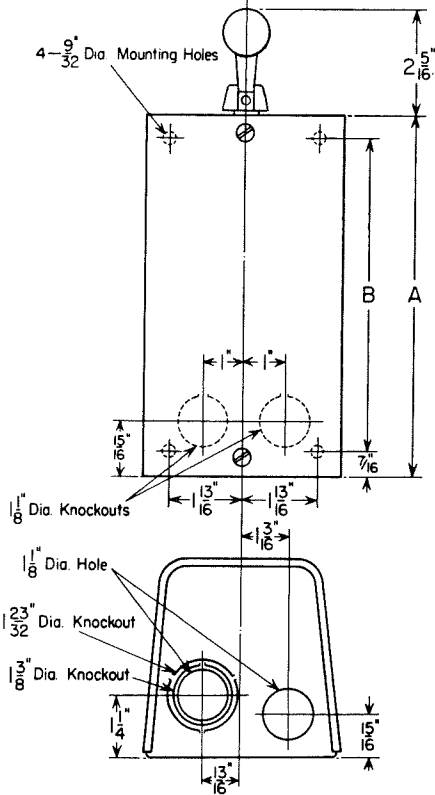
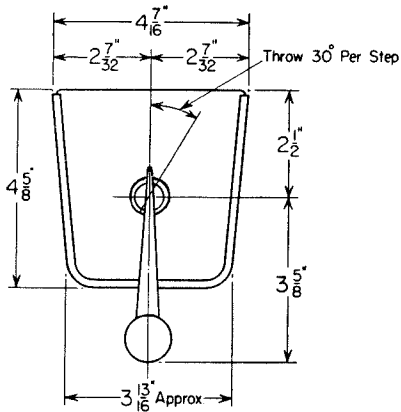
Panel Mounting
Approximate Shipping Weight 1 Lb.



Cavity Mounting
Approximate Shipping Weight 1 lb.

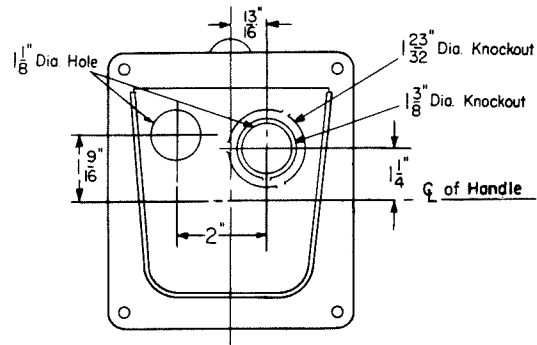
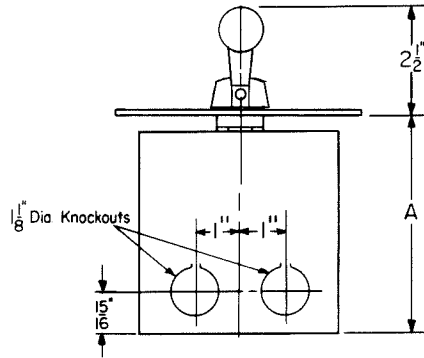
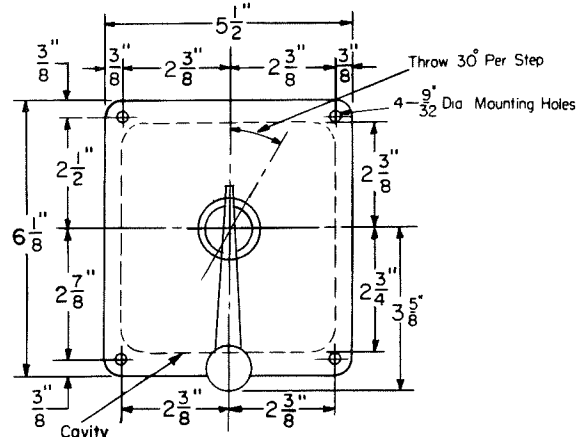
SIZE 1

Surface Mounting



Shaft Details

Cavity Mounting



Number of Cams	Dimension in Inches		Approximate Shipping Weight in Lbs.
	Surface Mounting A	B	
1-3	5-3/4	4-7/8	6-1/2
4	6-9/16	5-11/16	7-1/2
5-7	9	8-1/8	8-1/2
8-10	11-7/16	10-9/16	9-1/2
11-13	13-7/8	13	10-1/2
14	14-11/16	13-13/16	11-1/2
15	15-1/2	14-5/8	12-1/2
16	16-5/16	15-7/16	13-1/2
17	17-1/8	16-1/4	14-1/2

Number of Cams	Open Type		Approximate Shipping Weight in Lbs.
	Dimension in Inches	A	
3	4-3/4	6	
4	5-9/16	7	
5	6-3/8	8	
6	7-3/16	8	
7	9-5/16	8	
8-10	11-3/4	9	
11-13	14-3/16	10	

Number of Cams	Nema Type 1 General Purpose Enclosure		Approximate Shipping Weight in Lbs.
	Dimension in Inches	A	
3	6-1/16	7	
4	6-7/8	8	
5-7	9-5/16	9	
8-10	11-3/4	10	
11-13	14-3/16	11	