

# Power Tees & Reducer



## Specifications

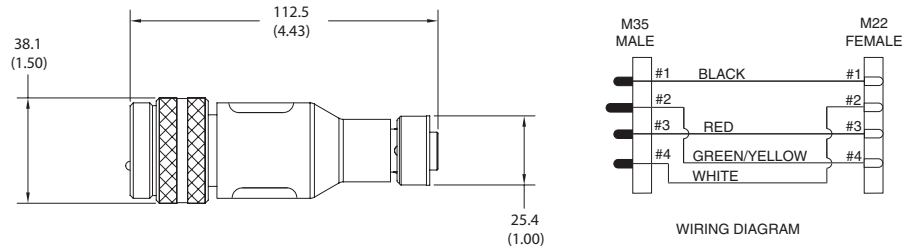
<b>Certifications</b>	UL
<b>Standards Compliance</b>	UL 2237
<b>Mechanical</b>	
<b>Coupling Nut</b>	Black Anodized Aluminum (Trunk), Black Zinc Diecast (Drop)
<b>Housing</b>	Black PVC
<b>Insert</b>	Black PVC
<b>Electrical</b>	
<b>Contacts</b>	Copper Alloy with Gold over Nickel Plating
<b>Voltage</b>	600V AC/DC
<b>Assembly Rating</b>	Trunk Tee: 25 A Reducing Tee: Trunk 25 A / Drop 15 A Reducer: 15 A
	- Symmetrical Amps RMS Fault: 65 kA when used with Class CC, T, or J type fuses
<b>Environmental</b>	
<b>Enclosure Type Rating</b>	IP67, NEMA 4 & 6P; 1200 psi washdown

## Features

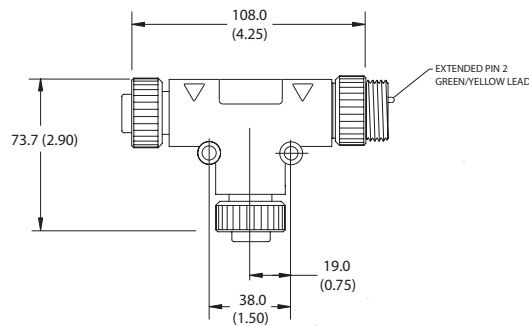
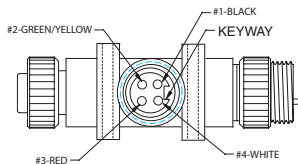
- Rated for motor branch circuits per UL 2237
- 4-pin T-port connects a single drop line to the trunk
- 4-pin configuration

## Dimensions—mm (inches)

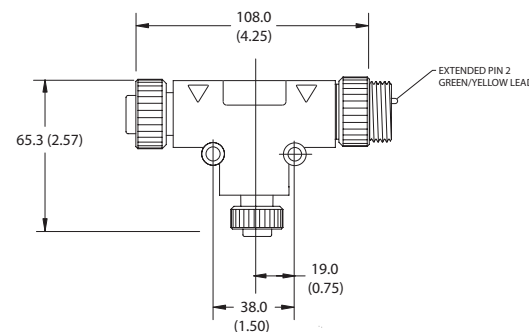
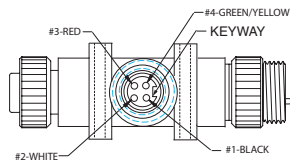
Reducer



Power Tee

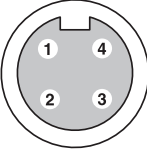
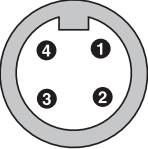
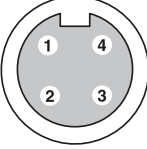
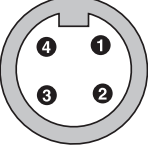
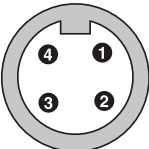



Power Tee - reducing drop



Dimensions are approximate. Illustrations are not drawn to scale.

**Pinout and Color Code**

Assembly Rating	Color Code	Face View Pinout	
		4-Pin	
		Quick Change Connector	Mini Connector
Trunk Tee: 25 A	A	 <p>Female</p>	 <p>Male</p>
		<p>1 Black 2 Green/Yellow Extended PIN</p>	<p>3 Red 4 White</p>
Reducing Tee: Trunk 25 A / Drop 15 A	B	 <p>Female</p>	 <p>Male</p>
		<p>1 Black 2 Green/Yellow Extended PIN</p>	<p>3 Red 4 White</p>
Reducer: Trunk 25 A / Drop 15 A	C	 <p>Male</p>	 <p>Female</p>
		<p>1 Black 2 Green/Yellow Extended PIN</p>	<p>3 Red 4 White</p>
			<p>1 Black    3 Red 2 White    4 Green/Yellow Extended PIN</p>
			<p>1 Black    3 Red 2 White    4 Green/Yellow Extended PIN</p>

**Product Selection**

**Tees and Reducing Adapters**

Description	Assembly Rating	Color Code	Cat. No.
M35, 3-Phase Power Tee, 4 pole	25 A	A	280-T35
M35, 3-Phase Power Tee Reducing drop M22, 4 pole	Trunk 25 A / Drop 15 A	B	280-RT35
M35, 3-Phase Reducing Adapter, 4 pole	15 A	C	280-RA35