

PowerFlex 4 EMC Filters

Drive Ratings			S Type Filter	L Type Filter
Input Voltage	kW	HP	Catalog Number ⁽¹⁾	Catalog Number ⁽³⁾
120V 50/60 Hz 1-Phase	0.2	0.25	—	22-RF010-AL
	0.4	0.5	—	22-RF010-AL
	0.75	1.0	—	22-RF018-BL
240V 50/60 Hz 1-Phase	0.2	0.25	⁽²⁾	22-RF010-AL
	0.4	0.5	⁽²⁾	22-RF010-AL
	0.75	1.0	⁽²⁾	22-RF010-AL
	1.5	2.0	⁽²⁾	22-RF018-BL
240V 50/60 Hz 3-Phase	0.2	0.25	22-RF9P5-AS	22-RF9P5-AL
	0.4	0.5	22-RF9P5-AS	22-RF9P5-AL
	0.75	1.0	22-RF9P5-AS	22-RF9P5-AL
	1.5	2.0	22-RF9P5-AS	22-RF9P5-AL
	2.2	3.0	22-RF021-BS	22-RF021-BL
	3.7	5.0	22-RF021-BS	22-RF021-BL
480V 50/60 Hz 3-Phase	0.4	0.5	22-RF5P7-AS	22-RF5P7-AL
	0.75	1.0	22-RF5P7-AS	22-RF5P7-AL
	1.5	2.0	22-RF5P7-AS	22-RF5P7-AL
	2.2	3.0	22-RF012-BS	22-RF012-BL
	4.0	5.0	22-RF012-BS	22-RF012-BL

PowerFlex 40 EMC Filters

Drive Ratings			S Type Filter	L Type Filter
Input Voltage	kW	HP	Catalog Number ⁽¹⁾	Catalog Number ⁽³⁾
120V 50/60 Hz 1-Phase	0.4	0.5	—	22-RF018-BL
	0.75	1.0	—	22-RF018-BL
	1.1	1.5	—	22-RF018-BL
240V 50/60 Hz 1-Phase	0.4	0.5	⁽²⁾	22-RF018-BL
	0.75	1.0	⁽²⁾	22-RF018-BL
	1.5	2.0	⁽²⁾	22-RF018-BL
	2.2	3.0	⁽²⁾	22-RF025-CL
240V 50/60 Hz 3-Phase	0.4	0.5	22-RF021-BS ⁽⁴⁾	22-RF021-BL
	0.75	1.0	22-RF021-BS ⁽⁴⁾	22-RF021-BL
	1.5	2.0	22-RF021-BS ⁽⁴⁾	22-RF021-BL
	2.2	3.0	22-RF021-BS ⁽⁴⁾	22-RF021-BL
	3.7	5.0	22-RF021-BS ⁽⁴⁾	22-RF021-BL
	5.5	7.5	22-RF034-CS	22-RF034-CL
	7.5	10.0	22-RF034-CS	22-RF034-CL
480V 50/60 Hz 3-Phase	0.4	0.5	22-RF012-BS	22-RF012-BL
	0.75	1.0	22-RF012-BS	22-RF012-BL
	1.5	2.0	22-RF012-BS	22-RF012-BL
	2.2	3.0	22-RF012-BS	22-RF012-BL
	4.0	5.0	22-RF012-BS	22-RF012-BL
	5.5	7.5	22-RF018-CS	22-RF018-CL
	7.5	10.0	22-RF018-CS	22-RF018-CL
	11.0	15.0	22-RF026-CS	22-RF026-CL
	600V 50/60 Hz 3-Phase	0.75	1.0	—
1.5		2.0	—	22-RF8P0-BL
2.2		3.0	—	22-RF8P0-BL
4.0		5.0	—	22-RF8P0-BL
5.5		7.5	—	22-RF015-CL
7.5		10.0	—	22-RF015-CL
11.0		15.0	—	22-RF024-CL

- (1) This filter is suitable for use with a cable length up to 10 meters for Class A and 1 meter for Class B environments.
 (2) Drives are available in these ratings with internal "S Type" filters.
 (3) This filter is suitable for use with a cable length up to 100 meters for Class A and 5 meters for Class B environments.
 (4) Filter must be Series B or later.

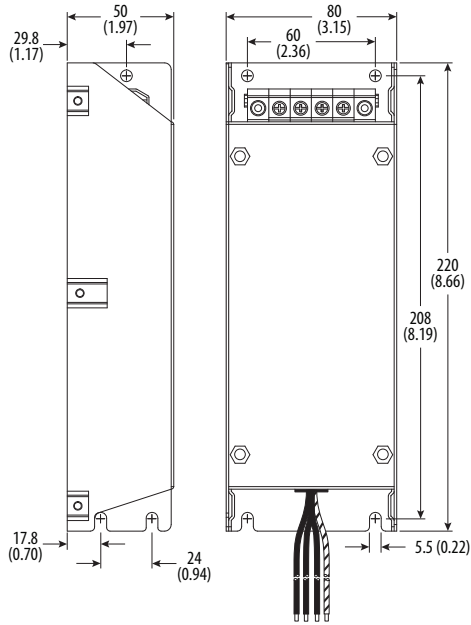
PowerFlex 4 & 40 Spare Parts

Description	Catalog Number
PowerFlex 4 Fan Replacement Kit - Frame A	SK-U1-FAN1-A1
PowerFlex 4/40 Fan Replacement Kit - Frame B, 1 Fan	SK-U1-FAN1-B1
PowerFlex 4/40 Fan Replacement Kit - Frame B, 2 Fans	SK-U1-FAN2-B1
PowerFlex 40 Fan Replacement Kit - Frame C, 1 Fan	SK-U1-FAN1-C1
PowerFlex 40 Fan Replacement Kit - Frame C, 1 Fan (15 HP)	SK-U1-FAN1-C2
PowerFlex 4 Frame A Cover with Power Terminal Guard	SK-U1-ACVR1-A1
PowerFlex 4 Frame B Cover with Power Terminal Guard	SK-U1-ACVR1-B1
PowerFlex 40 Frame B Cover with Power Terminal Guard	SK-U1-BCVR1-B1
PowerFlex 40 Frame C Cover with Power Terminal Guard	SK-U1-BCVR1-C1

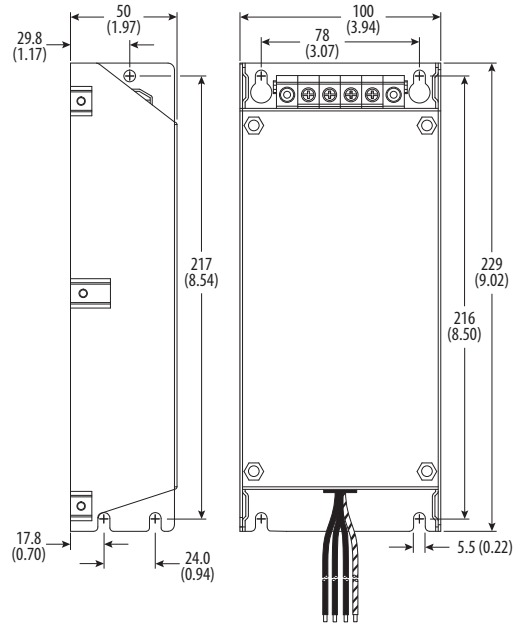
Shaded areas are applicable to PowerFlex 40 only.

EMC Line Filters

Frame A EMC Line Filters – Dimensions are in millimeters and (inches)
 Catalog Numbers: 22-RF5P7-AS, -AL; 22-RF9P5-AS, -AL; 22-RF010-AL



Frame B EMC Line Filters – Dimensions are in millimeters and (inches)
 Catalog Numbers: 22-RF8P0-BL, 22-RF012-BS, -BL; 22-RF018-BL;
 22-RF021-BS, -BL



Frame C EMC Line Filters – Dimensions are in millimeters and (inches)
 Catalog Numbers: 22-RF015-CL; 22-RF018-CS, -CL; 22-RF024-CL; 22-RF025-CL; 22-RF026-CS, -CL; 22RF034-CS, -CL

