

User Installed Options

IP30/NEMA 1/UL Type 1 Conversion Kit

| Item | Description | Drive Frame | PowerFlex 4 | PowerFlex 40 |
|---|---|-------------|-------------------------------|-------------------------------|
| | | | Catalog Number ⁽¹⁾ | Catalog Number ⁽¹⁾ |
| IP30/NEMA 1/UL Type 1 Kit | Field installed kit. Converts drive to IP30/NEMA 1/UL Type 1 enclosure. Includes conduit box with mounting screws and plastic top panel. | A | 22-JBAA | – |
| | | B | 22-JBAB | 22-JBAB |
| | | C | – | 22-JBAC |
| IP30/NEMA 1/UL Type 1 Kit with Communication Option | Field installed kit. Converts drive to IP30/NEMA 1/UL Type 1 enclosure. Includes communication option conduit box with mounting screws and plastic top panel. | B | – | 22-JBCB |
| | | C | – | 22-JBCC |

(1) For pricing information, refer to the PowerFlex 4 Price List, publication 22A-PL001 and PowerFlex 40 Price List, publication 22B-PL001.

Human Interface Module Option Kits and Accessories

| Item | Description | Catalog Number ⁽¹⁾ |
|---------------------------------------|--|-------------------------------|
| Remote Human Interface Modules (HIMs) | LCD Display, Remote Panel Mount, Digital Speed Control, CopyCat capable, IP66 (NEMA Type 4X/12) indoor use only. Includes 2.0 meter cable. | 22-HIM-C2S |
| | LCD Display, Remote Handheld, Digital Speed Control, Full Numeric Keypad, CopyCat capable, IP30 (NEMA Type 1). Includes 1.0 meter cable. Can be panel mounted with optional Bezel Kit. | 22-HIM-A3 |
| | Remote Handheld, Wireless Interface Module with <i>Bluetooth</i> ® technology, IP30 (NEMA Type 1). Panel Mount with optional Bezel Kit. | 22-WIM-N1 |
| | Remote Panel Mount, Wireless Interface Module with <i>Bluetooth</i> ® technology, IP66 (NEMA Type 4X/12) indoor use only. | 22-WIM-N4S |
| Bezel Kit | Panel Mount for LCD Display, Remote Handheld unit, IP30 (NEMA Type 1). Includes a 22-RJ45CBL-C20 cable. | 22-HIM-B1 |
| DSI HIM Cable | DSI HIM Cable (DSI HIM to RJ45 cable) <ul style="list-style-type: none"> 1.0 Meter (3.3 Feet) 2.9 Meter (9.51 Feet) | 22-HIM-H10 22-HIM-H30 |

(1) For pricing information, refer to the PowerFlex 4 Price List, publication 22A-PL001 and PowerFlex 40 Price List, publication 22B-PL001.

Communication Option Kits

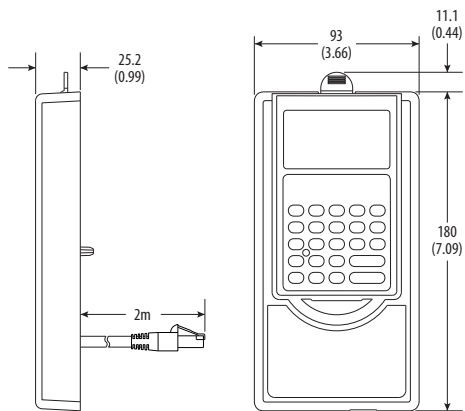
| Item | Description | Catalog Number ⁽¹⁾ |
|--|---|--|
| Serial Converter Module (RS485 to RS232) | Provides serial communication via DF1 protocol for use with DriveExplorer™ and DriveExecutive™ software. Smart Self-powered Serial Converter (RS-232) includes: <ul style="list-style-type: none"> DSI to RS232 serial converter DriveExplorer Lite Version 3.01 or later 1203-SFC and 22-RJ45CBL-C20 Cables | 22-SCM-232 |
| Serial Cable | 2.0 meter serial cable with a locking low profile connector to connect to the serial converter and a 9-pin sub-miniature D female connector to connect to a computer. | 1203-SFC |
| Null Cable Converter | For use when connecting the serial converter to DriveExplorer on a handheld PC. | 1203-SNM |
| Universal Serial Bus™ (USB) Converter | Provides a direct, isolated USB connection for use with DriveExplorer and DriveExecutive software. Includes 2.0 meter USB cable, 20-HIM-H10 and 22-HIM-H10 cables. | 1203-USB |
| DSI Cable | 2.0 meter RJ45 to RJ45 cable, male to male connectors. | 22-RJ45CBL-C20 |
| Splitter Cable | RJ45 one to two port splitter cable. | AK-U0-RJ45-SC1 |
| Terminating Resistors | RJ45 120 Ohm resistor (2 pieces). | AK-U0-RJ45-TR1 |
| Terminal Block | RJ45 Two position terminal block (6 pieces). | AK-U0-RJ45-TB2P |
| External DSI Communications Kit | External communications kit for 22-COMM Communication Adapters. Multi-Drive capability allows connectivity for up to 5 drives. | 22-XCOMM-DC-BASE |
| External Comms Power Supply | Optional 100...240V AC power supply for external DSI communications kit. | 20-XCOMM-AC-PS1 |
| Communication Adapters | Embedded communication option for use with the PowerFlex family of drives. Requires a Communication Adapter Cover (Ordered Separately). <ul style="list-style-type: none"> BACnet ControlNet DeviceNet EtherNet/IP LonWorks PROFIBUS DP | 22-COMM-B 22-COMM-C 22-COMM-D 22-COMM-E 22-COMM-L 22-COMM-P |
| Compact I/O Module | Provides 3 channels that can be individually configured for Single, Multi-Drive, and Modbus RTU modes. | 1769-SM2 |
| Communication Adapter Covers | Houses the optional communication adapters. These covers add 25 mm (0.98 in.) to the overall depth of the drive. <ul style="list-style-type: none"> PowerFlex 40 Drive Frame B PowerFlex 40 Drive Frame C | 22B-CCB 22B-CCC |

(1) For pricing information, refer to the PowerFlex 4 Price List, publication 22A-PL001 and PowerFlex 40 Price List, publication 22B-PL001.

Shaded areas are applicable to PowerFlex 40 only.

Human Interface Module (HIM) Dimensions

NEMA Type 1 Bezel – Dimensions are in millimeters and (inches)
 Catalog Number: 22-HIM-B1



NEMA Type 4X/12 Remote (Panel Mount) HIM
 – Dimensions are in millimeters and (inches)
 Catalog Number: 22-HIM-C2S

