

Applications and Standard Lengths (continued)

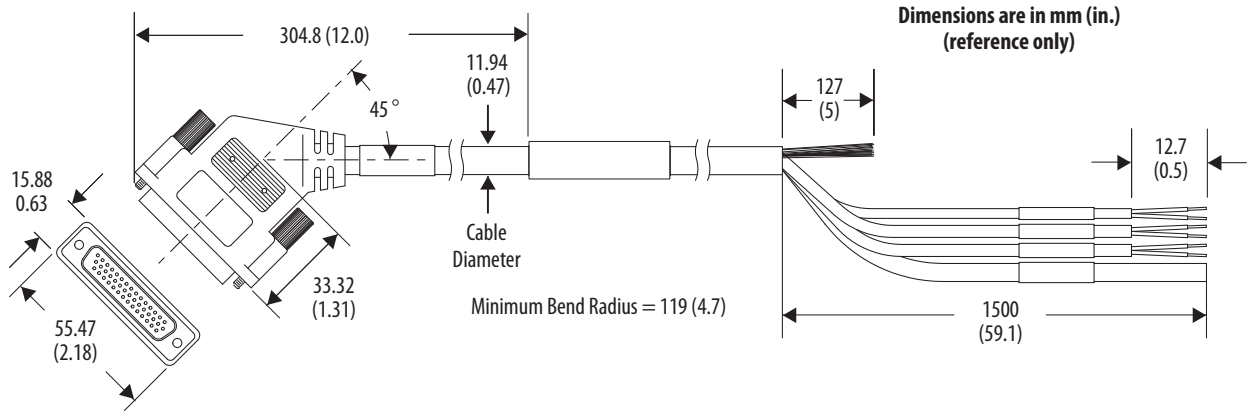
Cat. No.	Descriptions	Standard Cable Lengths m (ft)
2090-UXPC-D09xx	Ultra3000 serial interface cable to computer	01 = 1.0 (3.2)
2090-U3CC-D44xx ⁽¹⁾	Single-axis flying-lead cable, Ultra3000 drive to 1756-M02AE module	03 = 3.0 (9.8) 09 = 9.0 (29.5)
2090-U3AE-D44xx ⁽¹⁾	Two-axis pre-wired cable, Ultra3000 drive to 1756-M02AE module	15 = 15 (49.2)
2090-XXNRB-10F0P5	Resistive Brake Module (RBM) to Kinetix 6000 and Kinetix 6200/6500 drives	10 AWG
2090-XXNRB-8F0P6		8 AWG
2090-UXNRB-10F1P3	Resistive Brake Module (RBM) to Ultra3000 drives	10 AWG
2090-UXNRB-8F1P4		8 AWG
2090-UXNRB-6F1P5		6 AWG

(1) This cable does not carry the unbuffered motor encoder signals (CN1 pins 10-15). Contact your Rockwell Automation sales representative if these signals are required for your application.

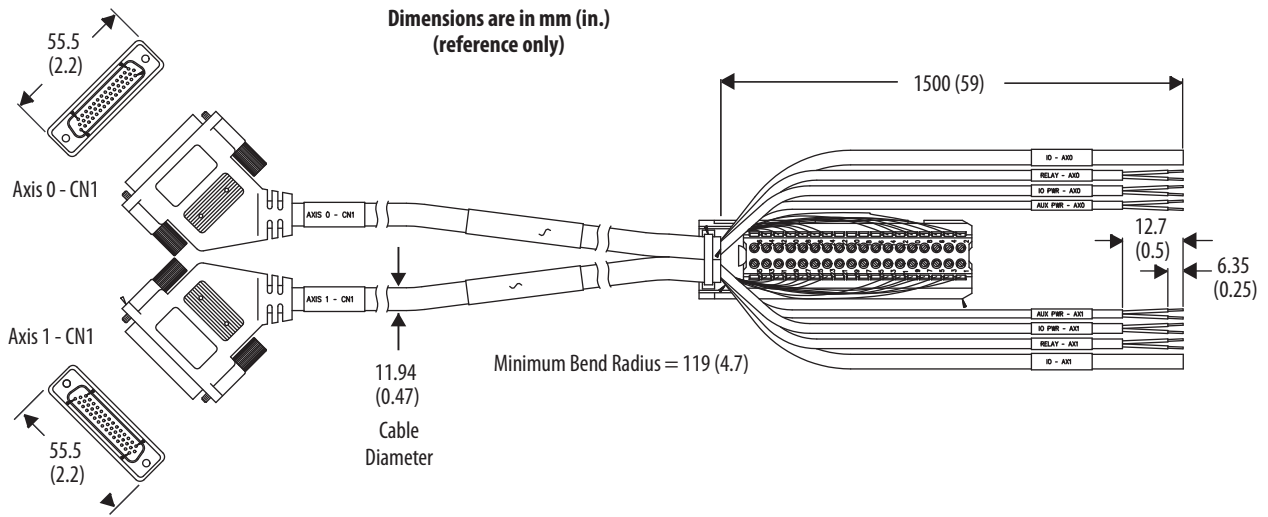
Interface Cable Specifications

Interface Cable Cat. No.	Description	Specifications		
		Ratings	Shield	Jacket Material
2090-UXPC-D09xx	Ultra3000 serial interface to computer	90 °C (194 °F), 30V	Aluminum Polyester 100% coverage Braid shield coverage, 85% min	TPE
2090-DAIO-D50xx	Kinetix 3 control interface I/O cable, flying leads			
2090-U3CC-D44xx	Single-axis flying lead Ultra3000 drive to 1756-M02AE module	80 °C (176 °F), 30V		
2090-U3AE-D44xx	Two-axis pre-wired Ultra3000 drive to 1756-M02AE module	80 °C (176 °F), 300V		PVC
2090-CCMPCDS-23AAxx	Kinetix 3 serial interface to personal computer			
2090-CCMCNDS-48AAxx	Kinetix 3 control interface to MicroLogix controller			
2090-CCMDSDS-48AAxx	Kinetix 3 control interface for drive-to-drive configurations	105 °C (221 °F), 600V	TPE	
2090-CCMUSDS-48AAxx	Kinetix 3 control interface for drive-to-1203-USB converter			
2090-xXNRB-xxFxxx	Resistive Brake Module (RBM) to drive interface			
2090-SCEP-x	Sercos interface fiber-optic cable (drive to drive, drive to 1756-MxxSE module, or drive to 1768-M04SE module)	-55...85 °C (-67...185 °F)		Chlorinated Polyethylene
2090-SCNP-x				Nylon
2090-SCVP-x				Polyethylene/Kevlar covered by PVC
2090-SCVG-x		-20...75 °C (-4...67 °F)		Kevlar and PVC

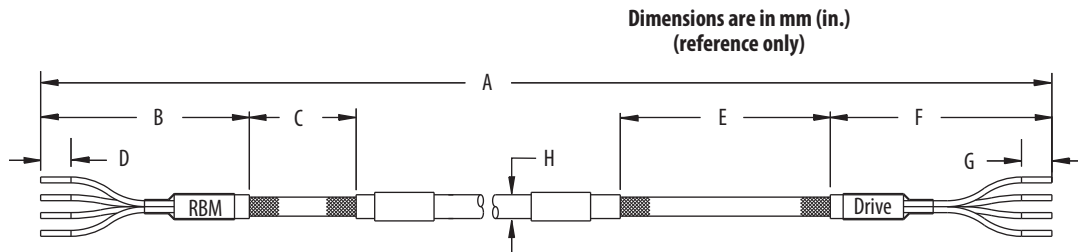
Control Interface Cable Dimensions (catalog number 2090-U3CC-D44xx)



ControlLogix 1756-M02AE Card Encoder Cable Dimensions (catalog number 2090-U3AE-D44xx)



RBM Module Interface Cable Dimensions



RBM Module Cable Cat. No.	A mm (in.)	B mm (in.)	C mm (in.)	D mm (in.)	E mm (in.)	F mm (in.)	G mm (in.)	H mm (in.)
2090-XXNRB-10F0P5	517 (20.3)	115 (4.5)	50 (1.9)	16 (0.6)	120 (4.7)	74 (2.9)	16 (0.6)	16 (0.63)
2090-UXNRB-10F1P3	1320 (52.0)					105 (4.1)		
2090-XXNRB-8F0P6	619 (24.4)	115 (4.5)	50 (1.9)	16 (0.6)	120 (4.7)	74 (2.9)	16 (0.6)	19 (0.75)
2090-UXNRB-8F1P4	1395 (54.9)					117 (4.6)		
2090-UXNRB-6F1P5	1527 (60.1)					129 (5.1)		