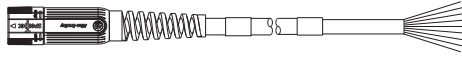
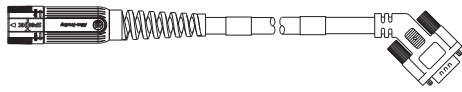
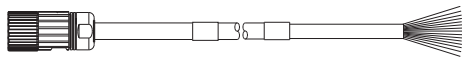
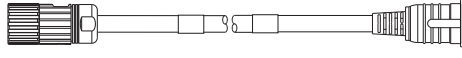
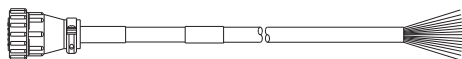
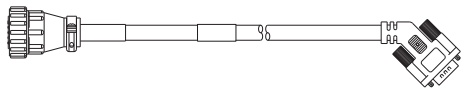
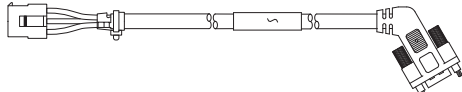


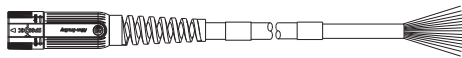
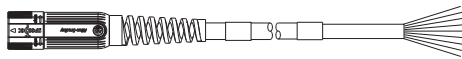
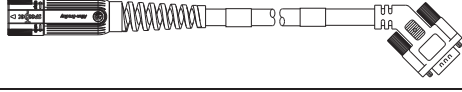
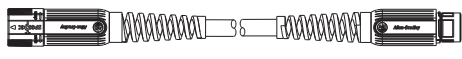
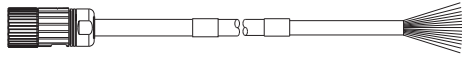
2090-Series Motor/Actuator Cables Overview

Feedback Cable Descriptions (standard, non-flex)

Standard Cable Cat. No.	Description	Cable Configuration		Motor/Actuator Connector
		Motor/Actuator End	Drive End	
2090-CFBM7DF-CEAxx	<ul style="list-style-type: none"> Drive-end flying-leads (DF) High-resolution or resolver applications (CE) 			SpeedTec DIN (M7)
2090-CFBM7DD-CEAxx	<ul style="list-style-type: none"> Drive-end 15-pin connector (DD) High-resolution or resolver applications (CE) 			
2090-XXNFMF-Sxx	<ul style="list-style-type: none"> Drive-end flying-leads High-resolution or incremental applications 			Threaded DIN (M4)
2090-CFBM4E2-CATR	<ul style="list-style-type: none"> Drive-end bayonet (E2), transition (TR) cable ⁽¹⁾ Motor-end threaded DIN (M4) All feedback types (CA) 			
2090-CFBM6DF-CBAAxx	<ul style="list-style-type: none"> Drive-end flying-leads (DF) High-resolution, battery backup or Incremental applications (CB) 			Circular Plastic (M6)
2090-CFBM6DD-CCAAxx	<ul style="list-style-type: none"> Drive-end 15-pin connector (DD) Incremental applications only (CC) 			
2090-DANFCT-Sxx	<ul style="list-style-type: none"> Drive-end 20-pin connector High-resolution applications 			Rectangular Plastic

(1) Threaded DIN connector (motor end) and bayonet connector for 2090-XXNFMF-Sxx cable. Refer to 2090-Series Motor Power and Feedback Transition Cables on [page 17](#).

Feedback Cable Descriptions (continuous-flex)

Continuous-flex Cable Cat. No.	Description	Cable Configuration		Motor/Actuator Connector
		Motor/Actuator End	Drive End	
2090-CFBM7DF-CDAFxx	<ul style="list-style-type: none"> Drive-end flying-leads (DF) High-resolution or incremental applications (CD) 			SpeedTec DIN (M7)
2090-CFBM7DF-CEAFxx	<ul style="list-style-type: none"> Drive-end flying-leads (DF) High-resolution or resolver applications (CE) 			
2090-CFBM7DD-CEAFxx	<ul style="list-style-type: none"> Drive-end 15-pin connector (DD) High-resolution or resolver applications (CE) 			
2090-CFBM7E7-CDAFxx	<ul style="list-style-type: none"> Drive-end (male) connector, extension (E7) ⁽¹⁾ Motor-end SpeedTec DIN cable plug (M7) 			Threaded DIN (M4)
2090-CFBM7E7-CEAFxx				
2090-CFBM4DF-CDAFxx	<ul style="list-style-type: none"> Drive-end flying-leads High-resolution or incremental applications 			

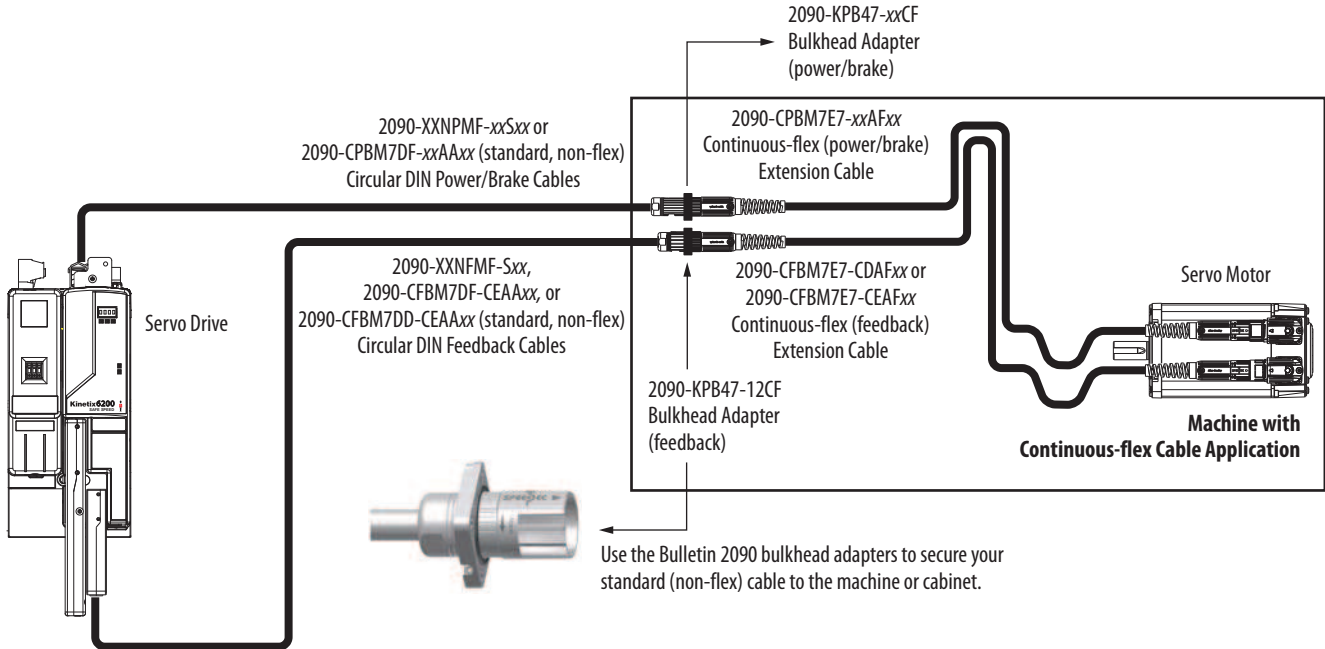
(1) SpeedTec DIN connector (motor end) and male connector for extending SpeedTec or threaded DIN cable. Refer to SpeedTec DIN Continuous-flex Extension Cables on [page 16](#).

IMPORTANT Feedback cables with the CE designation, for example 2090-CFBM7DF-CEAxx, are intended for high-resolution encoder or resolver applications and have fewer conductors than feedback cables with the CD designation, for example 2090-CFBM7DF-CDAFxx that are intended for high-resolution or incremental encoder applications.

SpeedTec DIN Continuous-flex Extension Cables

Motor power and feedback extension cables provide continuous-flex cable technology between your standard (non-flex) cable and the continuous-flex application. The IP rating for continuous-flex extension cables is consistent with the motor/ actuator and cable combination they are extending. Extension cables are available in lengths up to 30 m (98.4 ft). Extension power cables are available in 16, 14, 10, and 8 AWG.

Typical Extension Cable Application with Bulkhead Adapter



Continuous-flex Extension Feedback Cables

Continuous-flex Cable Cat. No.	Description	Applications
2090-CFBM7E7-CDAFxx	Feedback extension cable, SpeedTec DIN (male/female) connectors	Intended for high-resolution or incremental encoder applications.
2090-CFBM7E7-CEAFxx		Intended for high-resolution encoder or resolver applications.

Continuous-flex Extension Power Cables

Continuous-flex Cable Cat. No.	Description
2090-CPBM7E7-16AFxx	Power/brake extension cable, SpeedTec DIN (male/female) connectors
2090-CPBM7E7-14AFxx	
2090-CPBM7E7-10AFxx	
2090-CPBM7E7-08AFxx	

Circular DIN Connector Compatibility Overview

Motors equipped with either threaded or SpeedTec circular DIN connectors are listed below. Circular DIN motor connectors rotate up to 180° and combine power and brake wires in the same connector.

Motor Connector/Cable Plug Compatibility

Motor/Actuator Cat. No.	Connector Type	Power-only or Power/Brake Cables	Feedback Cables
MPL-A/B15xxx and MPL-A/B2xxx MPL-A/B3xxx, MPL-A/B4xxx, MPL-A/B45xxx, MPL-A/B5xxx MPL-B6xxx, MPL-B8xxx, and MPL-B9xxx MPM-A/Bxxxx MPF-A/Bxxxx RDB-Bxxxx ⁽¹⁾ LDAT-Sxxxxxx-xDx and LDAT-Sxxxxxx-xBx ⁽¹⁾ MPAS-A/Bxxxx and MPMA-A/Bxxxx ⁽¹⁾ MPAR-A/Bxxxx MPAI-A/Bxxxx LDC-Cxxxxxx and LDL-xxxxxx ⁽¹⁾	SpeedTec-ready DIN	2090-CPxM7DF-xxAAxx 2090-CPxM7DF-xxAFxx	2090-CFBM7DF-CEAAxx 2090-CFBM7DD-CEAAxx 2090-CFBM7DF-CEAFxx 2090-CFBM7DD-CEAFxx 2090-CFBM7DF-CDAFxx
MPS-A/Bxxxx	SpeedTec-ready DIN with 3 m (9.8 ft) cable extensions	<ul style="list-style-type: none"> • M7 cable plugs • O-ring on motor connector not required • Adapts to SpeedTec-ready connectors only 	
HPK-B/Exxxxx	SpeedTec-ready DIN		

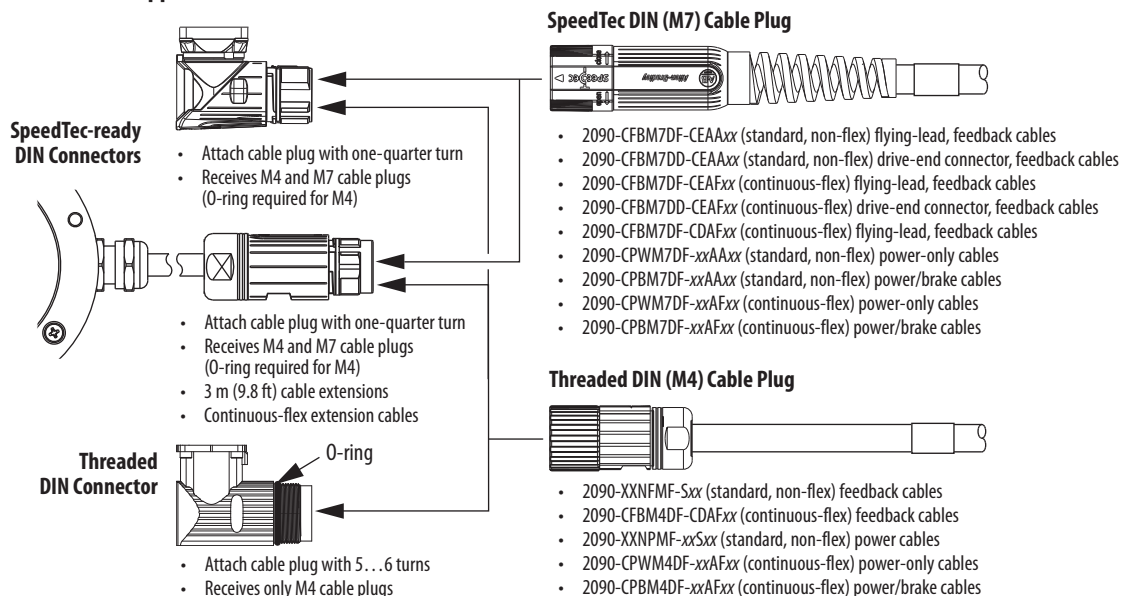
(1) The LDC-Series™ and LDL-Series™ linear motors, LDAT-Sxxxxxx-xBx linear thrusters, Bulletin MPAS and MPMA linear stages (direct-drive only), and Bulletin RDB direct-drive motors have SpeedTec-ready DIN (M7) motor connectors, but require the additional conductors included with 2090-CFBM7DF-CDAFxx (continuous-flex) and 2090-XXNFMF-Sxx standard (non-flex) cables.

IMPORTANT

Motors equipped with SpeedTec-ready DIN (M7) connectors are fully compatible with threaded DIN (M4) cable plugs.

- SpeedTec-ready DIN motor connectors are also compatible with SpeedTec DIN (M7/E7) extension cable plugs.
- Motors equipped with threaded DIN (M4) connectors are compatible with only threaded DIN (M4) cable plugs.

Typical Circular DIN Cable Applications



2090-Series Motor/Actuator Cable Selection

These tables provide motor power and feedback cable catalog numbers for use with Allen-Bradley servo motors. Most motor brake wires are in the power cable, so a separate brake cable is not required (except where noted). The IP rating is dependent on the use of Allen-Bradley Bulletin 2090 cables as listed in these tables.

IMPORTANT The MP-Series low-inertia motors on this page are equipped with DIN connectors (specified by 7 in the catalog number) and are not compatible with cables designed for motors equipped with bayonet connectors (specified by 2 in the catalog number). The motors with bayonet connectors (for example, MPL-A310P-xx2xAA) are being discontinued and require 2090-XXNFMP-Sxx (bayonet) cables. For help with migration or to select bayonet cables, contact your Rockwell Automation sales representative.

MP-Series (Bulletin MPL) Motor Feedback Cables

Motor Cat. No.	Compatible Drive Cat. No.	Feedback Type	Feedback Cable Cat. No.	IP Rating
MPL-A15xxx-V/Ex7xAA, MPL-A2xxx-V/Ex7xAA	2093-AC05-MPx or 2093-AMxx 2094-ACxx-Mxx-S or 2094-AMxx-S 2097-V3xPRx or 2097-V3xPRx-LM 2098-DSD-xxx	Multi-turn High-resolution Absolute or Single-turn High-resolution Encoder Feedback	2090-CFBM7DF-CEAAxx or 2090-CFBM7DD-CEAAxx (standard, non-flex) 2090-CFBM7DF-CEAFxx 2090-CFBM7DD-CEAFxx (continuous-flex)	Shaft seal is optional: <ul style="list-style-type: none"> • IP50 without shaft seal • IP66 with shaft seal
MPL-B15xxx-V/Ex7xAA, MPL-B2xxx-V/Ex7xAA	2094-BCxx-Mxx-S or 2094-BMxx-S 2094-BCxx-Mxx-M or 2094-BMxx-M 2097-V34PRx or 2097-V34PRx-LM 2098-DSD-HVxxx			
MPL-A3xxx-M/Sx7xAA, MPL-A4xxx-M/Sx7xAA, MPL-A45xxx-M/Sx7xAA, MPL-A5xxx-M/Sx7xAA	2093-AC05-MPx or 2093-AMxx 2094-ACxx-Mxx-S or 2094-AMxx-S 2097-V3xPRx or 2097-V3xPRx-LM 2098-DSD-xxx			
MPL-B3xxx-M/Sx7xAA, MPL-B4xxx-M/Sx7xAA, MPL-B45xxx-M/Sx7xAA, MPL-B5xxx-M/Sx7xAA, MPL-B6xxx-M/Sx7xAA, MPL-B8xxx-M/Sx7xAA, MPL-B9xxx-M/Sx7xAA	2094-BCxx-Mxx-S or 2094-BMxx-S 2094-BCxx-Mxx-M or 2094-BMxx-M 2097-V34PRx or 2097-V34PRx-LM 2098-DSD-HVxxx 2099-BMxx-S			
MPL-A15xxx-Hx7xAA, MPL-A2xxx-Hx7xAA	2093-AC05-MPx or 2093-AMxx 2094-ACxx-Mxx-S or 2094-AMxx-S 2097-V3xPRx or 2097-V3xPRx-LM 2098-DSD-xxx	Incremental ⁽¹⁾ Feedback	2090-XXNFMF-Sxx (standard, non-flex) 2090-CFBM7DF-CDAFxx (continuous-flex)	Shaft seal is optional: <ul style="list-style-type: none"> • IP50 without shaft seal • IP66 with shaft seal
MPL-B15xxx-Hx7xAA, MPL-B2xxx-Hx7xAA	2094-BCxx-Mxx-S or 2094-BMxx-S 2094-BCxx-Mxx-M or 2094-BMxx-M 2097-V34PRx or 2097-V34PRx-LM 2098-DSD-HVxxx			
MPL-A3xxx-Hx7xAA, MPL-A4xxx-Hx7xAA, MPL-A45xxx-Hx7xAA	2093-AC05-MPx or 2093-AMxx 2094-ACxx-Mxx-S or 2094-AMxx-S 2097-V3xPRx or 2097-V3xPRx-LM 2098-DSD-xxx		2090-XXNFMF-Sxx (standard, non-flex) 2090-CFBM7DF-CDAFxx (continuous-flex)	
MPL-B3xxx-Hx7xAA, MPL-B4xxx-Hx7xAA, MPL-B45xxx-Hx7xAA	2094-BCxx-Mxx-S or 2094-BMxx-S 2094-BCxx-Mxx-M or 2094-BMxx-M 2097-V34PRx or 2097-V34PRx-LM 2098-DSD-HVxxx			
MPL-Bxxx-Rx7xAA	2094-BCxx-Mxx-S or 2094-BMxx-S	Resolver Feedback ⁽¹⁾	2090-CFBM7DF-CEAAxx (standard, non-flex) 2090-CFBM7DF-CEAFxx (continuous-flex)	

(1) Not all MP-Series low-inertia motors are available with incremental and resolver feedback options.

For cable configuration illustrations and feature descriptions, by catalog number, refer to 2090-Series Motor/Actuator Cables Overview beginning on [page 13](#).

Cable length xx is in meters. Refer to Technical Specifications - 2090-Series Motor/Actuator Cables beginning on [page 30](#).

MP-Series Medium Inertia Motors

Motor Cat. No.	Drive Compatibility	Feedback Type	Feedback Cable Cat. No.	IP Rating
MPM-Axxxxx-M/S	2093-AC05-MPx or 2093-AMxx 2094-ACxx-Mxx-S or 2094-AMxx-S 2097-V3xPRx or 2097-V3xPRx-LM 2098-DSD-xxx	Multi-turn High Resolution Absolute or Single-turn High Resolution Encoder Feedback	2090-CFBM7DF-CEAAxx or 2090-CFBM7DD-CEAAxx (standard, non-flex)	Shaft seal is optional: • IP50 without shaft seal • IP66/67 with shaft seal
MPM-Bxxxxx-M/S	2094-BCxx-Mxx-S or 2094-BMxx-S 2094-BCxx-Mxx-M or 2094-BMxx-M 2097-V34PRx or 2097-V34PRx-LM 2098-DSD-HVxxx 2099-BMxx-S		2090-CFBM7DF-CEAFxx 2090-CFBM7DD-CEAFxx (continuous-flex)	
MPM-Axxxxx-2	2094-ACxx-Mxx-S or 2094-AMxx-S	Resolver Feedback ⁽¹⁾	2090-CFBM7DF-CEAAxx (standard, non-flex)	
MPM-Bxxxxx-2	2094-BCxx-Mxx-S or 2094-BMxx-S		2090-CFBM7DF-CEAFxx (continuous-flex)	

(1) Not all MP-Series medium-inertia motors are available with the resolver feedback option.

MP-Series (200V-class) Medium Inertia Motors	Power Cable Cat. No.	IP Rating
MPM-A115xx	2090-CPxM7DF-16AAxx (standard, non-flex) 2090-CPxM7DF-16AFxx (continuous-flex)	Shaft seal is optional: • IP50 without shaft seal • IP66/67 with shaft seal
MPM-A1302F	2090-CPxM7DF-14AAxx (standard, non-flex) 2090-CPxM7DF-14AFxx (continuous-flex)	
MPM-A1304F	2090-CPxM7DF-12AAxx (standard, non-flex)	
MPM-A1651F	2090-CPxM7DF-10AAxx (standard, non-flex) 2090-CPxM7DF-10AFxx (continuous-flex)	
MPM-A1652F, MPM-A1653F	2090-CPxM7DF-08AAxx (standard, non-flex) 2090-CPxM7DF-08AFxx (continuous-flex)	
MPM-A215xx	2090-CPBM7DF-06AAxx (standard, non-flex)	

MP-Series (400V-class) Medium Inertia Motors	Power Cable Cat. No.	IP Rating
MPM-B1151x, MPM-B1152x	2090-CPxM7DF-16AAxx (standard, non-flex) 2090-CPxM7DF-16AFxx (continuous-flex)	Shaft seal is optional: • IP50 without shaft seal • IP66/67 with shaft seal
MPM-B1153E, MPM-B1153F		
MPM-B1302F, MPM-B1302M, MPM-B1304C, MPM-B1304E		
MPM-B1651C, MPM-B1652C		
MPM-B1153T	2090-CPxM7DF-14AAxx (standard, non-flex) 2090-CPxM7DF-14AFxx (continuous-flex)	
MPM-B1302T, MPM-B1304M		
MPM-B1651F, MPM-B1653C		
MPM-B1651M, MPM-B1652E, MPM-B1652F, MPM-B1653E	2090-CPxM7DF-10AAxx (standard, non-flex) 2090-CPxM7DF-10AFxx (continuous-flex)	
MPM-B2152C, MPM-B2153B		
MPM-B1653F	2090-CPxM7DF-08AAxx (standard, non-flex) 2090-CPxM7DF-08AFxx (continuous-flex)	
MPM-B2152F, MPM-B2152M, MPM-B2153E, MPM-B2153F, MPM-B2154B, MPM-B2154E, MPM-B2154F		

For cable configuration illustrations and feature descriptions, by catalog number, refer to 2090-Series Motor/Actuator Cables Overview beginning on [page 13](#). Cable length xx is in meters. Refer to Technical Specifications - 2090-Series Motor/Actuator Cables beginning on [page 30](#).

MP-Series Food Grade Motors

Motor Cat. No.	Drive Compatibility	Feedback Type	Feedback Cable Cat. No.	IP Rating
MPF-Axxxx-M/S	2093-AC05-MPx or 2093-AMxx 2094-ACxx-Mxx-S or 2094-AMxx-S 2097-V3xPRx or 2097-V3xPRx-LM 2098-DSD-xxx	Multi-turn High Resolution Absolute or Single-turn High Resolution Encoder Feedback	2090-CFBM7DF-CEAAxx or 2090-CFBM7DD-CEAAxx (standard, non-flex)	Shaft seal is standard. IP66/67 with shaft seal.
MPF-Bxxxx-M/S	2094-BCxx-Mxx-S or 2094-BMxx-S 2094-BCxx-Mxx-M or 2094-BMxx-M 2097-V34PRx or 2097-V34PRx-LM 2098-DSD-HVxxx		2090-CFBM7DF-CEAFxx 2090-CFBM7DD-CEAFxx (continuous-flex)	

MP-Series (200V-class) Food Grade Motors	Power Cable Cat. No.	IP Rating
MPF-A310P, MPF-A320H, MPF-A320P, and MPF-A330P	2090-CPxM7DF-16AAxx (standard, non-flex) 2090-CPxM7DF-16AFxx (continuous-flex)	Shaft seal is standard. IP66/67 with shaft seal.
MPF-A430H		
MPF-A430P, MPF-A4530K and MPF-A4540F	2090-CPxM7DF-14AAxx (standard, non-flex) 2090-CPxM7DF-14AFxx (continuous-flex)	
MPF-A540K	2090-CPxM7DF-08AAxx (standard, non-flex) 2090-CPxM7DF-08AFxx (continuous-flex)	

MP-Series (400V-class) Food Grade Motors	Power Cable Cat. No.	IP Rating
MPF-B310P, MPF-B320P, and MPF-B330P	2090-CPxM7DF-16AAxx (standard, non-flex) 2090-CPxM7DF-16AFxx (continuous-flex)	Shaft seal is standard. IP66/67 with shaft seal.
MPF-B430P, MPF-B4530K, and MPF-B4540F		
MPF-B540K	2090-CPxM7DF-10AAxx (standard, non-flex) 2090-CPxM7DF-10AFxx (continuous-flex)	

MP-Series Stainless Steel Motors

Motor Cat. No.	Drive Compatibility	Feedback Type	Feedback Cable Cat. No.	IP Rating
MPS-Axxxx-M/S	2093-AC05-MPx or 2093-AMxx 2094-ACxx-Mxx-S or 2094-AMxx-S 2097-V3xPRx or 2097-V3xPRx-LM 2098-DSD-xxx	Multi-turn High Resolution Absolute or Single-turn High Resolution Encoder Feedback	2090-CFBM7DF-CEAAxx or 2090-CFBM7DD-CEAAxx (standard, non-flex)	Shaft seal is standard. IP66/67/IP69K with shaft seal and slinger.
MPS-Bxxxx-M/S	2094-BCxx-Mxx-S or 2094-BMxx-S 2094-BCxx-Mxx-M or 2094-BMxx-M 2097-V34PRx or 2097-V34PRx-LM 2098-DSD-HVxxx		2090-CFBM7DF-CEAFxx 2090-CFBM7DD-CEAFxx (continuous-flex)	

MP-Series (200V-class) Stainless Steel Motors	Power Cable Cat. No.	IP Rating
MPS-A330P	2090-CPxM7DF-16AAxx (standard, non-flex) 2090-CPxM7DF-16AFxx (continuous-flex)	Shaft seal is standard. IP66/67/IP69K with shaft seal and slinger.
MPS-A4540F		

MP-Series (400V-class) Stainless Steel Motors	Power Cable Cat. No.	IP Rating
MPS-B330P	2090-CPxM7DF-16AAxx (standard, non-flex) 2090-CPxM7DF-16AFxx (continuous-flex)	Shaft seal is standard. IP66/67/IP69K with shaft seal and slinger.
MPS-B4540F		
MPS-B560F	2090-CPxM7DF-14AAxx (standard, non-flex) 2090-CPxM7DF-14AFxx (continuous-flex)	

For cable configuration illustrations and feature descriptions, by catalog number, refer to 2090-Series Motor/Actuator Cables Overview beginning on [page 13](#).
Cable length xx is in meters. Refer to Technical Specifications - 2090-Series Motor/Actuator Cables beginning on [page 30](#).

RDD-Series Direct Drive Motors

Motor Cat. No.	Drive Compatibility	Feedback Type	Feedback Cable Cat. No.	IP Rating
RDB-Bxxxx-7/3	2094-BCxx-Mxx-S or 2094-BMxx-S 2094-BCxx-Mxx-M or 2094-BMxx-M 2099-BMxx-S	Multi-turn High Resolution Absolute or Single-turn High Resolution Encoder Feedback	2090-XXNFMF-Sxx (standard, non-flex) 2090-CFBM7DF-CDAFxx (continuous-flex)	Shaft seal is N/A. IP65 with specified cables.

RDD-Series (400V-class) Direct Drive Motors			Power Cable Cat. No.	IP Rating
RDB-B21519, RDB-B21529			2090-CPWM7DF-16AAxx (standard, non-flex) 2090-CPWM7DF-16AFxx (continuous-flex)	Shaft seal is N/A. IP65 with specified cables.
RDB-B29014, RDB-B29016, RDB-B29024				
RDB-B2151C, RDB-B21539			2090-CPWM7DF-14AAxx (standard, non-flex) 2090-CPWM7DF-14AFxx (continuous-flex)	
RDB-B29019, RDB-B29034				
RDB-B2152C			2090-CPWM7DF-12AAxx (standard, non-flex)	
RDB-B29026				
RDB-B2153C			2090-CPWM7DF-10AAxx (standard, non-flex) 2090-CPWM7DF-10AFxx (continuous-flex)	
RDB-B29036, RDB-B41014				
RDB-B29029, RDB-B41016, RDB-B41024			2090-CPWM7DF-08AAxx (standard, non-flex) 2090-CPWM7DF-08AFxx (continuous-flex)	
RDB-B29039, RDB-B41018, RDB-B41026, RDB-B41035			2090-CPBM7DF-06AAxx (standard, non-flex)	

For cable configuration illustrations and feature descriptions, by catalog number, refer to 2090-Series Motor/Actuator Cables Overview beginning on [page 13](#).
Cable length xx is in meters. Refer to Technical Specifications - 2090-Series Motor/Actuator Cables beginning on [page 30](#).

HPK-Series Asynchronous Servo Motors

Cat. No.	Drive Compatibility	Feedback Type	Feedback Cable Cat. No.	IP Rating
HPK-Bxxxx-M/S HPK-Exxxx-M/S	2099-BMxx-S	Multi-turn High Resolution Absolute or Single-turn High Resolution Encoder Feedback	2090-CFBM7DF-CEAAxx or 2090-CFBM7DD-CEAAxx (standard, non-flex) 2090-CFBM7DF-CEAFxx 2090-CFBM7DD-CEAFxx (continuous-flex)	Shaft seal is N/A. IP65 with specified cables.

HPK-Series Asynchronous Servo Motors			Power Cable Cat. No.
All HPK-Bxxxx or HPK-Exxxx motors			Customer Supplied

For cable configuration illustrations and feature descriptions, by catalog number, refer to 2090-Series Motor/Actuator Cables Overview beginning on [page 13](#).
Cable length xx is in meters. Refer to Technical Specifications - 2090-Series Motor/Actuator Cables beginning on [page 30](#).

MP-Series Integrated Linear Stages

Actuator Cat. No.	Drive Compatibility	Feedback Type	Feedback Cable Cat. No.	IP Rating
MPAS-Axxxxx-VxxSxA (ball screw) MPMA-A (ball screw)	2093-AC05-MPx or 2093-AMxx 2094-ACxx-Mxx-S or 2094-AMxx-S 2097-V3xPRx 2097-V34PRx-LM 2098-DSD-xxx	Multi-turn High Resolution Absolute Encoder Feedback	2090-CFBM7DF-CEAAxx or 2090-CFBM7DD-CEAAxx (standard, non-flex) 2090-CFBM7DF-CEAFxx 2090-CFBM7DD-CEAFxx (continuous-flex)	IP30
MPAS-Axxxxx-ALMx2C (direct drive) MPMA-A (direct drive)	2093-AC05-MPx or 2093-AMxx 2094-ACxx-Mxx-S or 2094-AMxx-S 2097-V3xPRx 2098-DSD-xxx 2071-Axx	Incremental Encoder Feedback	2090-XXNFMF-Sxx (standard, non-flex) 2090-CFBM7DF-CDAFxx (continuous-flex)	
MPAS-Bxxxxx-VxxSxA (ball screw) MPMA-B (ball screw)	2094-BCxx-Mxx-S or 2094-BMxx-S 2094-BCxx-Mxx-M or 2094-BMxx-M 2097-V3xPRx 2097-V34PRx-LM 2098-DSD-xxx	Multi-turn High Resolution Absolute Encoder Feedback	2090-CFBM7DF-CEAAxx or 2090-CFBM7DD-CEAAxx (standard, non-flex) 2090-CFBM7DF-CEAFxx 2090-CFBM7DD-CEAFxx (continuous-flex)	
MPAS-Bxxxxx-ALMx2C (direct drive) MPMA-B (direct drive)	2094-BCxx-Mxx-S or 2094-BMxx-S 2094-BCxx-Mxx-M or 2094-BMxx-M 2097-V3xPRx 2098-DSD-xxx	Incremental Encoder Feedback	2090-XXNFMF-Sxx (standard, non-flex) 2090-CFBM7DF-CDAFxx (continuous-flex)	

MP-Series (200V-class) Integrated Linear Stages	Power Cable Cat. No.	IP Rating
MPAS-Axxxxx-VxxSxA (ball screw) or MPMA-A	2090-CPxM7DF-16AAxx (standard, non-flex) 2090-CPxM7DF-16AFxx (continuous-flex)	IP30
MPAS-Axxxxx-ALMx2C (direct drive) or MPMA-A	2090-CPWM7DF-16AAxx (standard, non-flex) 2090-CPWM7DF-16AFxx (continuous-flex)	

MP-Series (400V-class) Integrated Linear Stages	Power Cable Cat. No.	IP Rating
MPAS-Bxxxxx-VxxSxA (ball screw) or MPMA-B	2090-CPxM7DF-16AAxx (standard, non-flex) 2090-CPxM7DF-16AFxx (continuous-flex)	IP30
MPAS-Bxxxxx-ALMx2C (direct drive) or MPMA-B	2090-CPWM7DF-16AAxx (standard, non-flex) 2090-CPWM7DF-16AFxx (continuous-flex)	

For cable configuration illustrations and feature descriptions, by catalog number, refer to 2090-Series Motor/Actuator Cables Overview beginning on [page 13](#).

Cable length xx is in meters. Refer to Technical Specifications - 2090-Series Motor/Actuator Cables beginning on [page 30](#).

LDAT-Series Integrated Linear Thrusters

Actuator Cat. No.	Drive Compatibility	Feedback Type	Feedback Cable Cat. No.	IP Rating
LDAT-Sxxxxxx-xDx (230V operation)	2097-V3xPRx	Absolute Linear Encoder Feedback	2090-CFBM7DF-CEAAxx or 2090-CFBM7DD-CEAAxx (standard, non-flex)	IP30
LDAT-Sxxxxxx-xDx (460V operation)	2097-V34PRx		2090-CFBM7DF-CEAFxx 2090-CFBM7DD-CEAFxx (continuous-flex)	
LDAT-Sxxxxxx-xBx (230V operation)	2093-AC05-MPx or 2093-AMxx 2094-ACxx-Mxx-S or 2094-AMxx-S 2097-V3xPRx 2098-DSD-xxx 2071-Axx	Incremental Encoder Feedback	2090-XXNFMF-Sxx (standard, non-flex) 2090-CFBM7DF-CDAFxx (continuous-flex)	
LDAT-Sxxxxxx-xBx (460V operation)	2094-BCxx-Mxx-S or 2094-BMxx-S 2094-BCxx-Mxx-M or 2094-BMxx-M 2097-V34PRx 2098-DSD-HVxxx			

LDAT-Series (230V or 460V operation) Linear Thrusters	Power Cable Cat. No.	IP Rating
LDAT-S031xxx, LDAT-S032xxx, LDAT-S033xxx	2090-CPWM7DF-16AAxx (standard, non-flex) 2090-CPWM7DF-16AFxx (continuous-flex)	IP30
LDAT-S051xxx, LDAT-S052xxx, LDAT-S053xxx, LDAT-S054xxx		
LDAT-S072xxx, LDAT-S073xxx, LDAT-S074xxx, LDAT-S076xxx-Exx		
LDAT-S102xxx, LDAT-S103xxx, LDAT-S104xxx, LDAT-S106xxx-Exx		
LDAT-S152xxx, LDAT-S153xxx, LDAT-S154xxx, LDAT-S156xxx-Exx		
LDAT-S076xxx-Dxx	2090-CPWM7DF-14AAxx (standard, non-flex) 2090-CPWM7DF-14AFxx (continuous-flex)	IP30
LDAT-S106xxx-Dxx		
LDAT-S156xxx-Dxx		

For cable configuration illustrations and feature descriptions, by catalog number, refer to 2090-Series Motor/Actuator Cables Overview beginning on [page 13](#).

Cable length xx is in meters. Refer to Technical Specifications - 2090-Series Motor/Actuator Cables beginning on [page 30](#).

TL-Series Electric Cylinders

Actuator Cat. No.	Drive Compatibility	Feedback Type	Motor Feedback Cable	IP Rating
TLAR-Axxxxx	2093-AC05-MPx or 2093-AMxx 2097-V3xPRx or 2097-V3xPRx-LM 2071-Axx	Multi-turn High Resolution Absolute Encoder Feedback	2090-CFBM6DF-CBAAxx (flying-lead) standard, non-flex	IP40 ⁽¹⁾

TL-Series (200V-class) Electric Cylinders	Motor Power Cable	IP Rating
TLAR-Axxxxx	2090-CPBM6DF-16AAxx (power and brake) standard, non-flex 2090-CPWM6DF-16AAxx (power without brake) standard, non-flex	IP40 ⁽¹⁾

(1) Applies to complete unit, including rod-end seal and breather port.

For cable configuration illustrations and feature descriptions, by catalog number, refer to 2090-Series Motor/Actuator Cables Overview beginning on [page 13](#).

Cable length xx is in meters. Refer to Technical Specifications - 2090-Series Motor/Actuator Cables beginning on [page 30](#).

MP-Series Electric Cylinders

Actuator Cat. No.	Drive Compatibility	Feedback Type	Feedback Cable Cat. No.	IP Rating
MPAR-A1xxxx MPAR-A2xxxx MPAR-A3xxxx	2093-AC05-MPx or 2093-AMxx 2094-ACxx-Mxx-S or 2094-AMxx-S 2097-V3xPRx or 2097-V3xPRx-LM 2098-DSD-xxx	Multi-turn High Resolution Absolute Encoder Feedback	2090-CFBM7DF-CEAAxx or 2090-CFBM7DD-CEAAxx (standard, non-flex)	IP40 ⁽¹⁾ IP66 ⁽²⁾
MPAR-B1xxxx MPAR-B2xxxx MPAR-B3xxxx	2094-BCxx-Mxx-S or 2094-BMxx-S 2094-BCxx-Mxx-M or 2094-BMxx-M 2097-V34PRx or 2097-V34PRx-LM 2098-DSD-HVxxx		2090-CFBM7DF-CEAFxx or 2090-CFBM7DD-CEAFxx (continuous-flex)	

MP-Series (200V-class) Electric Cylinders	Power Cable Cat. No.	IP Rating
MPAR-A1xxxx MPAR-A2xxxx MPAR-A3xxxx	2090-CPxM7DF-16AAxx (standard, non-flex) 2090-CPxM7DF-16AFxx (continuous-flex)	IP40 ⁽¹⁾ IP66 ⁽²⁾

MP-Series (400V-class) Electric Cylinders	Power Cable Cat. No.	IP Rating
MPAR-B1xxxx MPAR-B2xxxx MPAR-B3xxxx	2090-CPxM7DF-16AAxx (standard, non-flex) 2090-CPxM7DF-16AFxx (continuous-flex)	IP40 ⁽¹⁾ IP66 ⁽²⁾

- (1) Applies to complete unit, including rod-end seal and breather port.
- (2) Applies to electronic components.

MP-Series Heavy Duty Electric Cylinders

Actuator Cat. No.	Drive Compatibility	Feedback Type	Feedback Cable Cat. No.	IP Rating
MPAI-A2xxxx MPAI-A3xxxx MPAI-A4xxxx MPAI-A5xxxx	2093-AC05-MPx or 2093-AMxx 2094-ACxx-Mxx-S or 2094-AMxx-S 2097-V3xPRx or 2097-V3xPRx-LM 2098-DSD-xxx	Multi-turn High Resolution Absolute Encoder Feedback	2090-CFBM7DF-CEAAxx or 2090-CFBM7DD-CEAAxx (standard, non-flex)	IP67 (with specified cables)
MPAI-B2xxxx MPAI-B3xxxx MPAI-B4xxxx MPAI-B5xxxx	2094-BCxx-Mxx-S or 2094-BMxx-S 2094-BCxx-Mxx-M or 2094-BMxx-M 2097-V34PRx or 2097-V34PRx-LM 2098-DSD-HVxxx		2090-CFBM7DF-CEAFxx or 2090-CFBM7DD-CEAFxx (continuous-flex)	

MP-Series (200V-class) Heavy Duty Electric Cylinders	Power Cable Cat. No.	IP Rating
MPAI-A2xxxx, MPAI-A3xxxx, MPAI-A4xxxx	2090-CPxM7DF-16AAxx (standard, non-flex) 2090-CPxM7DF-16AFxx (continuous-flex)	IP67 (with specified cables)
MPAI-A5xxxx	2090-CPxM7DF-14AAxx (standard, non-flex) 2090-CPxM7DF-14AFxx (continuous-flex)	

MP-Series (400V-class) Heavy Duty Electric Cylinders	Power Cable Cat. No.	IP Rating
MPAI-B2xxxx, MPAI-B3xxxx, MPAI-B4xxxx, MPAI-B5xxxx	2090-CPxM7DF-16AAxx (standard, non-flex) 2090-CPxM7DF-16AFxx (continuous-flex)	IP67 (with specified cables)

For cable configuration illustrations and feature descriptions, by catalog number, refer to 2090-Series Motor/Actuator Cables Overview beginning on [page 13](#).
 Cable length xx is in meters. Refer to Technical Specifications - 2090-Series Motor/Actuator Cables beginning on [page 30](#).

Brake Cable Specifications

Brake Cables Cat. No.	Cable Type/ Jacket Color	Description	Wire Size AWG	Weight, approx kg/m (lb/ft)	Standard Cable Lengths m (ft)
2090-DANBT-18Sxx	Standard (non-flex) cable, Industrial TPE, Black	Two conductor, 600V, 18 AWG, shielded cable for motor brake.	18	0.070 (0.047)	01 (3.2) 05 (16.4) 15 (49.2) 02 (6.5) 07 (22.9) 20 (65.6) 03 (9.8) 09 (29.5) 25 (82.0) 04 (13.1) 12 (39.4) 30 (98.4)

Feedback Cable Specifications

Feedback Cables ^{(1) (2)} Cat. No.	Cable Type/ Jacket Color	Description	Wire Size AWG	Weight, approx kg/m (lb/ft)	Standard Cable Lengths m (ft)	
2090-XXNFMF-Sxx	Standard (non-flex) cable, Industrial TPE, Black	Threaded DIN connector (motor end) to flying leads (drive end), 30V.	28 Feedback 16 Power, 5V 22 Power, 9V	0.120 (1.35)	01 (3.2) 07 (22.9) 25 (82.0) 02 (6.5) 09 (29.5) 30 (98.4) 03 (9.8) 12 (39.4) 40 (131.2) 04 (13.1) 15 (49.2) 60 (196.8) 05 (16.4) 20 (65.6) 90 (295.3)	
2090-CFBM7DD-CEAxx	Standard (non-flex) cable, Industrial TPE, Green (DESINA, RAL 6018)	SpeedTec DIN connector (motor end) to premolded connector (drive end), 600V.	22 All conductors	0.136 (0.092)	01 (3.2) 07 (22.9) 25 (82.0) 02 (6.5) 09 (29.5) 30 (98.4) 03 (9.8) 12 (39.4) 40 (131.2) 04 (13.1) 15 (49.2) 60 (196.8) 05 (16.4) 20 (65.6) 90 (295.3)	
2090-CFBM7DF-CEAxx		SpeedTec DIN connector (motor end) to flying leads (drive end), 600V.				
2090-UXNFM-Sxx ⁽³⁾	Standard (non-flex) cable, Industrial TPE, Black	Flying-leads (motor end) to premolded connector (drive end), 30V.	28 Feedback 16 Power, 5V 22 Power, 9V	0.120 (1.35)	01 (3.2) 15 (49.2) 03 (9.8) 30 (98.4) 09 (29.5)	
2090-CFBM6DF-CBAAxx		Circular plastic connector (motor end) to flying leads (drive end), 300V.	28 Feedback 16 Power, 5V 22 BAT+		01 (3.2) 05 (16.4) 15 (49.2) 02 (6.5) 07 (22.9) 20 (65.6) 03 (9.8) 09 (29.5) 25 (82.0) 04 (13.1) 12 (39.4) 30 (98.4)	
2090-CFBM6DD-CCAxx		Circular plastic connector (motor end) to premolded connector (drive end), 300V.	28 Feedback 16 Power, 5V		01 (3.2) 09 (29.5) 40 (131.2) 02 (6.5) 12 (39.4) 50 (164.0) 03 (9.8) 15 (49.2) 60 (196.8) 04 (13.1) 20 (65.6) 75 (264.0) 05 (16.4) 25 (82.0) 90 (295.3)	
2090-DANFCT-Sxx		Rectangular plastic connector (motor end) to premolded connector (drive end), 30V.	28 Feedback 16 Power, 5V 22 BAT+		01 (3.2) 09 (29.5) 40 (131.2) 02 (6.5) 12 (39.4) 50 (164.0) 03 (9.8) 15 (49.2) 60 (196.8) 04 (13.1) 20 (65.6) 75 (264.0) 05 (16.4) 25 (82.0) 90 (295.3)	
2090-CFBM4DF-CDAFxx	Continuous-flex cable Industrial TPE, Green (DESINA, RAL 6018)	Threaded DIN connector (motor end) to flying leads (drive end), 600V.	26 Feedback 16 Power, 5V 22 Power, 9V	0.177 (0.119)	01 (3.2) 09 (29.5) 40 (131.2) 02 (6.5) 12 (39.4) 50 (164.0) 03 (9.8) 15 (49.2) 60 (196.8) 04 (13.1) 20 (65.6) 75 (264.0) 05 (16.4) 25 (82.0) 90 (295.3)	
2090-CFBM7DF-CDAFxx		SpeedTec DIN connector (motor end) to flying leads (drive end), 600V.	22 All conductors		0.143 (0.096)	01 (3.2) 09 (29.5) 40 (131.2) 02 (6.5) 12 (39.4) 50 (164.0) 03 (9.8) 15 (49.2) 60 (196.8) 04 (13.1) 20 (65.6) 75 (264.0) 05 (16.4) 25 (82.0) 90 (295.3)
2090-CFBM7DF-CEAFxx						SpeedTec DIN connector (motor end) to premolded connector (drive end), 600V.
2090-CFBM7DD-CEAFxx		SpeedTec DIN connector (motor end) to premolded connector (drive end), 600V.				

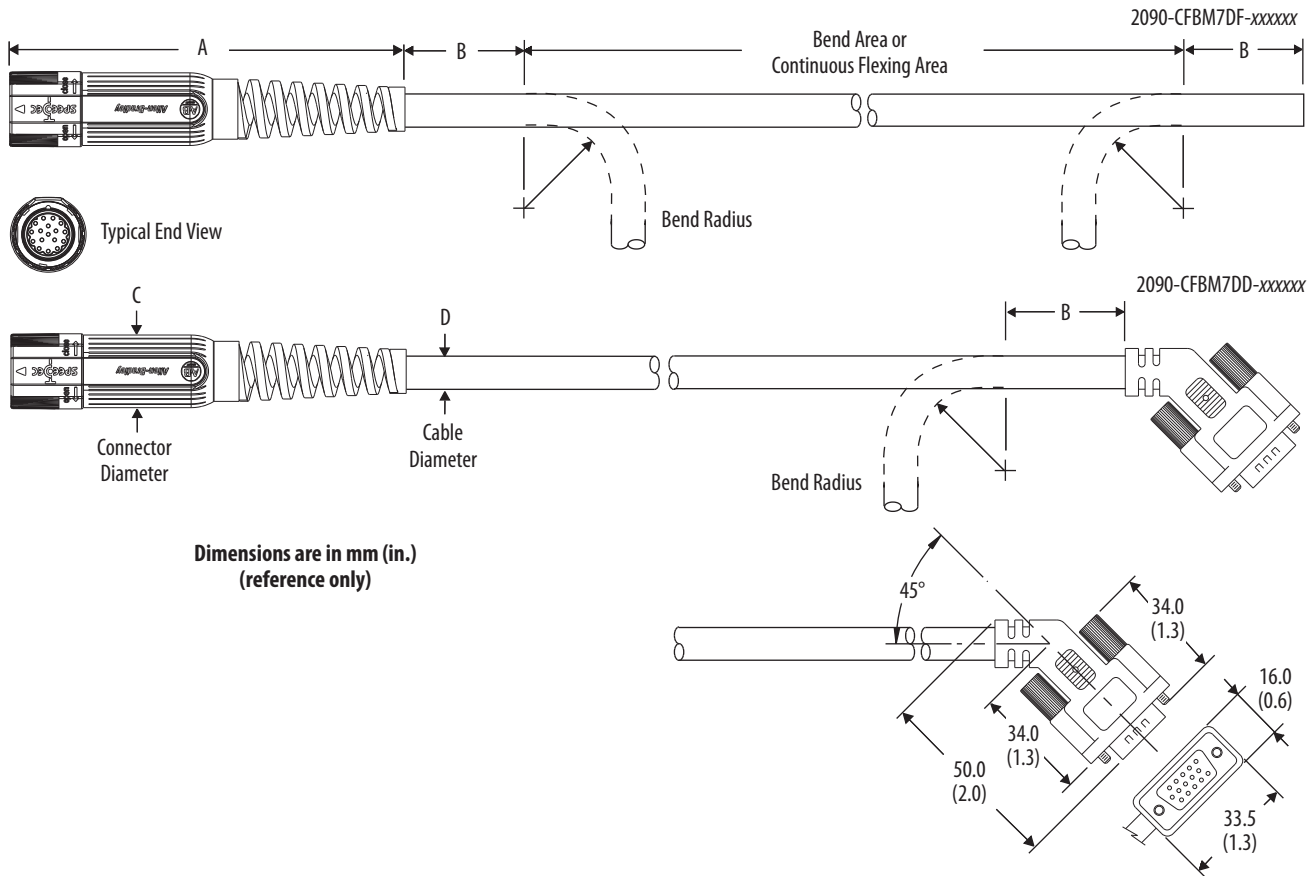
(1) 2090-CFBM7xx-CEAxxx feedback cables are UL Listed, bulk cable, type PLTC-ER.

(2) 2090-CFBM4DF-CDAXxx and 2090-CFBM7xx-CDAXxx feedback cables are UL Listed, bulk cable, type CM.

(3) Use with 2090-KFBM4-CAAA (threaded) or 2090-KFBM7-CAAA (SpeedTec) DIN connector kit.

Motor Feedback Cables

Feedback Cable Dimensions (SpeedTec DIN connector)



Dimensions are in mm (in.)
(reference only)

Feedback Cable Dimensions (standard, non-flex)

Feedback Cable Cat. No.	A mm (in.)	B ⁽¹⁾ mm (in.)	C mm (in.)	D mm (in.)
2090-CFBM7DF-CEAAxx	147 (5.8)	68.6 (2.7)	28.0 (1.1)	9.8 (0.38)
2090-CFBM7DD-CEAAxx				

(1) Dimension B (static bend radius) is based on the cable diameter. Refer to Motor Power and Feedback Cable Bend Radius Definitions on [page 32](#) for more information.

Feedback Cable Dimensions (continuous-flex rated)

Feedback Cable Cat. No.	A mm (in.)	B ⁽¹⁾ mm (in.)	Continuous Bend Radius ⁽¹⁾ mm (in.)	C mm (in.)	D mm (in.)
2090-CFBM7DF-CEAFxx	147 (5.8)	72.1 (2.8)	124 (4.9)	28.0 (1.1)	10.3 (0.40)
2090-CFBM7DD-CEAFxx					11.7 (0.46)
2090-CFBM7DF-CDAFxx		81.9 (3.2)	140 (5.5)		

(1) Dimension B (static bend radius) and Continuous Bend Radius are based on the cable diameter. Refer to Motor Power and Feedback Cable Bend Radius Definitions on [page 32](#) for more information.

2090-Series Bulkhead Adapter Kits

These bulkhead adapter kits let you secure your cables as they pass through the cabinet. Adapter kits apply to 2090-Series motor/actuator cables and 2090-Series integrated drive-motor hybrid cables.

2090-Series Motor/Actuator Power Cable Compatibility

Bulkhead Adapter Cat. No.	Standard (non-flex) Power Cable Cat. No.	Continuous-flex Power Cable Cat. No.	Description		Connector Diameter mm (in.)	
2090-KPB47-12CF	2090-CPWM7DF-16AAxx	2090-CPWM7DF-16AFxx	Power only	SpeedTec DIN	28.0 (1.1)	
	2090-CPWM7DF-14AAxx	2090-CPWM7DF-14AFxx				
	2090-CPWM7DF-12AAxx	N/A				
	2090-CPBM7DF-16AAxx	2090-CPBM7DF-16AFxx	Power/brake			
	2090-CPBM7DF-14AAxx	2090-CPBM7DF-14AFxx				
	2090-CPBM7DF-12AAxx	N/A				
	N/A	2090-CPBM7E7-16AAxx				
	N/A	2090-CPBM7E7-14AAxx	Power only			Threaded DIN
	N/A	2090-CPWM4DF-16AFxx				
	N/A	2090-CPBM4DF-16AFxx	Power/brake			
	2090-XXNPMF-16Sxx	N/A				
2090-KPB47-06CF	2090-CPWM7DF-10AAxx	2090-CPWM7DF-10AFxx	Power only	SpeedTec DIN	45.0 (1.8)	
	2090-CPWM7DF-08AAxx	2090-CPWM7DF-08AFxx	Power/brake			
	2090-CPBM7DF-10AAxx	2090-CPBM7DF-10AFxx				
	2090-CPBM7DF-08AAxx	2090-CPBM7DF-08AFxx				
	2090-CPBM7DF-06AAxx	N/A				

2090-Series Motor/Actuator Feedback Cable Compatibility

Bulkhead Adapter Cat. No.	Standard (non-flex) Feedback Cable Cat. No.	Continuous-flex Feedback Cable Cat. No.	Description		Connector Diameter mm (in.)
2090-KPB47-12CF	2090-CFBM7DF-CEAAxx	2090-CFBM7DF-CEAFxx	Feedback	SpeedTec DIN	28.0 (1.1)
	2090-CFBM7DD-CEAAxx	2090-CFBM7DD-CEAFxx			
	N/A	2090-CFBM7DF-CDAFxx			
	N/A	2090-CFBM7E7-CDAFxx			
	N/A	2090-CFBM7E7-CEAFxx		Threaded DIN	
2090-CFBM4DF-CEAAxx	N/A				
N/A	2090-CFBM4DF-CDAFxx				
2090-KFB47-CF	2090-XXNFMF-Sxx	N/A			26.0 (1.0)

2090-Series Integrated Motor-Drive Hybrid Cable Compatibility

Bulkhead Adapter Cat. No.	Hybrid Cable Cat. No.	Description		Connector Diameter mm (in.)
2090-KPB47-12CF	2090-CHBIFS8-12AAxx	Hybrid	SpeedTec	25.4 (1.0)
	2090-CHBP8S8-12AAxx			