

## Select a Terminal Base Assembly

Step 3 - Select:

- the appropriate terminal base unit for your module

Terminal Base Assembly..... page 49  
 One-piece Terminal Bases..... page 51

The POINT I/O system follows a No Tools design approach. The I/O mounting base, removable terminal block (RTB), and I/O module may be assembled as a system without tools.

### Terminal Base Assembly

The POINT I/O mounting base mounts directly on the DIN-rail, either vertically or horizontally, and forms the interconnect for the POINTBus backplane communication and field power-bus distribution. The mechanical keying of the mounting base prevents incorrect module placement. The I/O mounting base and removable terminal block are sold together (pre-assembled) as a single unit called a Terminal Base Assembly.

The pins on the 1734-TB terminal base assembly are independent of each other. The connections for the 1734-TB and 1734-TB3 are determined by the 1734 module being used.

#### Terminal Base Pins

1734-TB, -TBS, -TOP, -TOPS

|   |   |
|---|---|
| 0 | 1 |
| 2 | 3 |
| 4 | 5 |
| 6 | 7 |

45217

1734-TB3, -TB3S, -TOP3, -TOP3S

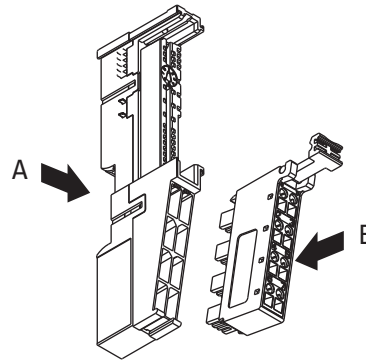
|    |    |
|----|----|
| 0  | 1  |
| 2  | 3  |
| 4  | 5  |
| 6  | 7  |
| 8  | 9  |
| 10 | 11 |

45218

Pins 4, 5, 8, and 9 are connected together.  
 Pins 6, 7, 10, and 11 are connected together.

Each assembly includes a removable terminal block (RTB) provides 8 or 12 separate terminal locations for field wiring. The RTB also provides vertical access to wire and screw terminations. A separate terminal point is provided for each wire, including a shield ground terminal point for 2-point analog modules.

### POINT I/O Removable Terminal Base Assembly



45103

Each terminal base assembly includes a base (A) that mounts onto the DIN-rail and a removable terminal block (B) for I/O wiring.

Once the RTB is wired properly, you never need to rewire terminations. The RTB separates independently of the I/O mounting base and I/O module to facilitate rapid installation and commissioning of the system. Each terminal is numbered on the bottom of the RTB to simplify troubleshooting during commissioning or maintenance cycles. Spare or replacement RTBs can be ordered separate from the terminal base assembly.

### Terminal Base Assemblies

| Terminal Base Assembly Cat. No. | Description                                       | Terminal Base Screw Torque    | Replacement RTB Cat. No.   |
|---------------------------------|---|-------------------------------|----------------------------|
| 1734-TB                         | Mounting base with 8-terminal cage-clamp RTB      | 0.6 Nm<br>(7 lb-in)           | 1734-RTB                   |
| 1734-TBS                        | Mounting base with 8-terminal spring-clamp RTB    |                               | 1734-RTBS                  |
| 1734-TB3                        | Mounting base with 12-terminal cage-clamp RTB     |                               | 1734-RTB3                  |
| 1734-TB3S                       | Mounting base with 12-terminal spring-clamp RTB   |                               | 1734-RTB3S                 |
| 1734-TBCJC <sup>(1)</sup>       | Mounting base with cold-junction compensation RTB | 0.5...0.6 Nm<br>(5...7 lb-in) | 1734-RTBCJC <sup>(1)</sup> |

<sup>(1)</sup> For use with the 1734-IT21 thermocouple input module.

|                    | <b>Cat. No.</b>                                     | <b>Description</b>   |
|--------------------|---|--|
| <b>Bases</b>       | 1734-TB,<br>1734-TBS                                | Wiring Base Assembly with 8 Point Cage-Clamp Removable Terminal Block Installation Instructions, publication <a href="#">1734-IN511</a>  |
|                    | 1734-TBS,<br>1734-TB3S,<br>1734-RTBS,<br>1734-RTB3S | Wiring Base Assembly with 12 Point Cage-Clamp Removable Terminal Block Installation Instructions, publication <a href="#">1734-IN013</a> |
|                    | 1734-TOP,<br>1734-TOPS,<br>1734-TOP3,<br>1734-TOP3S | POINT I/O One-piece Terminal Bases Installation Instructions, publication <a href="#">1734-IN028</a>                                     |
|                    | 1734-TBCJC  | Cold Junction Compensation Wiring Base Assembly Installation Instructions, publication <a href="#">1734-IN583</a>                        |
| <b>Power Units</b> | 1734-FPD  | Field Potential Distributor Module Installation Instructions, publication <a href="#">1734-IN059</a>                                     |
|                    | 1734-EP24DC   | 24V DC Expansion Power Supply Installation Instructions, publication <a href="#">1734-IN058</a>  |
|                    | 1734-EPAC   | 120/240V AC Expansion Power Supply Installation Instructions, publication <a href="#">1734-IN017</a>                                     |
| <b>Safety</b>      | 1734-IB8S,<br>1734-OB8S                             | POINT Guard I/O Safety Modules Installation and User Manual, publication <a href="#">1734-UM013</a>                                      |