



Proprietary Retrofit

Hinged Wing Retrofit Fit Strip

- ☆ Ballast cover and socket plate units are die formed using 22 GA Cold Rolled Steel with a high gloss, white baked enamel finish, minimum reflectance 85%.
- ☆ Continuous type hinge allows ease of installation and future accessibility.
- ☆ Snap-in type rotor lamp sockets allow lamps to be locked into place simply by twisting lamp 1/4 turn.
- ☆ All wire is 18 GA. solid core, rated 600v., utilizing wire trap type connectors for a positive connection.
- ☆ All attachment hardware included.

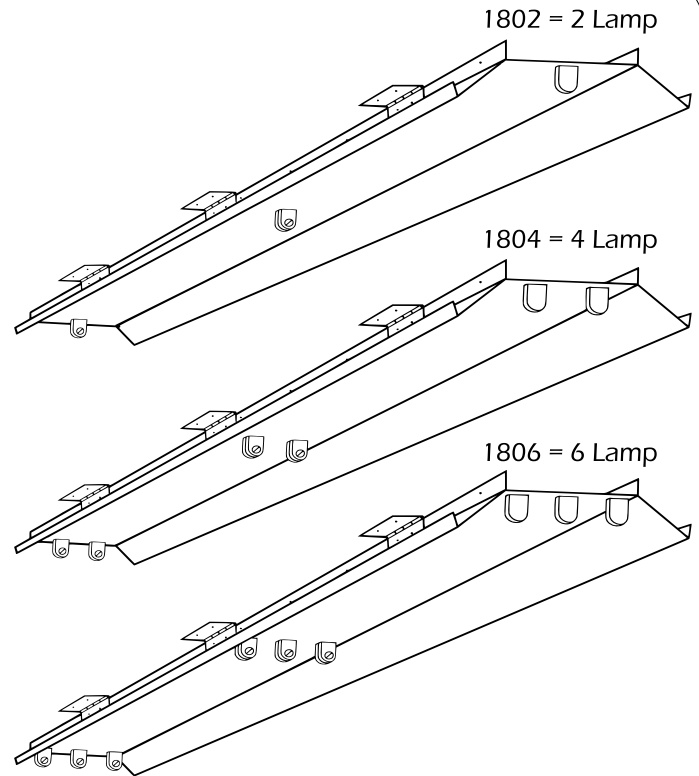


INSTALLATION AS EASY AS 1 2 3

- 1** STRIP EXISTING FIXTURE BY REMOVING ALL DETACHABLE PARTS INCLUDING WIRING AND BALLAST. LEAVE END PLATES ATTACHED.
- 2** PLACE HINGED BALLAST COVER FLUSH WITH BARE FIXTURE. ATTACH HINGE SIDE TO FIXTURE WITH TECH SCREWS. ALLOW UNIT TO SWING DOWN.
- 3** CONNECT BALLAST POWER LEADS TO EXISTING POWER SUPPLY. SWING UNIT UP AND SECURE FLANGE TO SIDE OF CAN WITH TECH SCREWS.

JK RETRO-FIT COMPLETE !!!

T5 or T8



CUSTOM MADE TO FIT
YOUR
FIXTURES

← Please Give Us →
your outside to outside width
measurements at time of order

Typical ordering number

JKT8-A-S-1804-H-W-ISN-UNV



MANUFACTURED
AND ASSEMBLED IN
THE UNITED STATES

Prefix	Lamp Type Wattage	Ballast Options	Can Size	Series No.	No. Lamps	Type	Reflector	Ballast Types	Voltage
JK	T8 = 32 WATT	A JK WILL PROVIDE AND INSTALL BALLAST PER YOUR SPECIFICATIONS	S = 2 1/2 " to 5"	1802 = 2 Lamp	Hinged	Wing	W =	T8 32 Watt	UNV = Universal
	T5 = 54 WATT	B JK WILL INSTALL YOUR BALLAST, PER SPEC. PROVIDED A DROP SHIPMENT IS MADE AT OUR PLACE OF MANUFACTURE.	M = 5 1/16 " to 7"	1804 = 4 Lamp				ISL = Instant Start Low	
		C JK WILL PREWIRE RETROFIT UNIT FOR FUTURE BALLAST INSTALLATION	L = 7 1/16 " to 12"	1806 = 6 Lamp				ISN = Instant Start Normal	
								PSL = Program Start Low	
								PSN = Program Start Normal	
								PSH = Program Start High	
								T5HO 54 Watt	
								PSN = Program Start Normal	