

FPM-7121T

12.1" XGA Industrial Monitor with Resistive Touchscreen, Direct-VGA/DP and Wide Operating Temperature Range

NEW



Features

- 12.1" XGA TFT LED LCD with 50,000 backlight life time
- Robust design with IP66 compliance aluminum front panel
- Wide operating temperature support -20~60°C
- Anti-glare screen with tempered glass
- Supports Panel, Wall, Desktop, Rack or VESA arm mounting
- Combo RS-232 & USB interface for touchscreen function
- OSD control pad on rear cover
- Lockable I/O connectors

Introduction

FPM-7000T series is the first true-flat design of 4:3 industrial grade monitors. To be highly durable, the FPM-7000T series is true-flat screen designed yet IP66 front protection, die-cast Al Alloy front bezel and 5-wire resistive touch. It supports wide operating temperatures -20~60°C for diverse user environments. Various mounting methods allow an easy installation in different environments.

Specifications

General

- **OSD Controls** OSD control on rear cover
- **Certification** BSMI, CCC, CE, FCC Class A, UL
- **Dimensions (W x H x D)** 311.8 x 238 x 44.5 mm (12.28" x 9.37" x 1.76")
- **Enclosure** Front panel: Die-cast Magnesium alloy
Rear cover: SECC
- **Mounting** Stand, Wall, Panel and VESA 75x75 & 100x100mm
- **Power Input** Phoenix Jack: 24 V_{DC} input
- **Power Consumption** 15 W + 20%
- **Video Port** VGA & DP
- **Weight (Net)** 2.6kg (5.73lbs)

LCD Display

- **Display Type** XGA TFT LED LCD
- **Display Size** 12.1"
- **Max. Resolution** 1024 x 768
- **Max. Color** 16.2M
- **Viewing Angle (H/V°)** 160/140
- **Luminance (cd/m²)** 600
- **Backlight Life (hrs)** 50,000
- **Contrast Ratio** 700 :1

Touchscreen

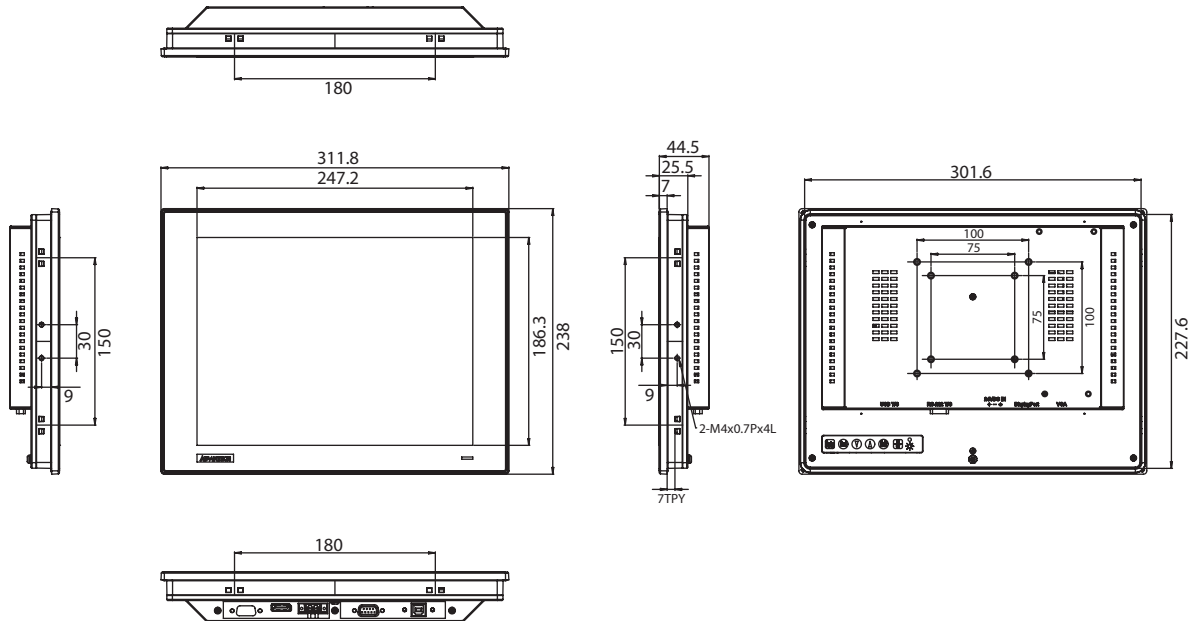
- **Type** 5-wire, analog resistive
- **Interface** RS-232 and USB
- **Light Transmission** Above 75%
- **OS Support** Windows XP, Vista, 7, 8, 10, XPe and Linux

Environment

- **Operation Temperature** -20 ~ 60°C (-4 ~ 140°F)
- **Storage Temperature** -30 ~ 70°C (-22 ~ 176°F)
- **Humidity (Storage)** 10 ~ 90% non-condensing
- **Waterproof** Front panel is IP66 compliant
- **Vibration** 5 ~ 500 Hz, 1 Grms (Operating, Random)

Dimensions

Unit: mm



Panel Cut-out Dimensions: 303 x 229 mm(11.93" x 9.02")

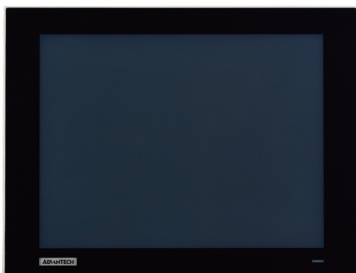
Ordering Information

- FPM-7121T-R3AE 12.1" XGA Ind Monitor w/Resistive TS (VGA/DP)

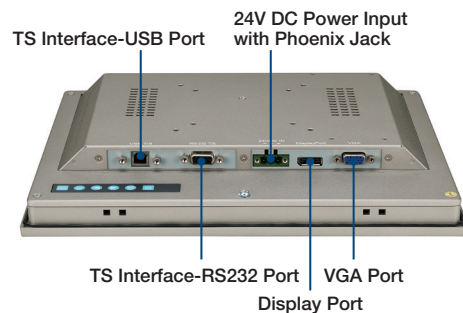
Optional Accessories

- 1702002600 Power Cable US Plug 1.8 M
- 1702002605 Power Cable EU Plug 1.8 M
- 1702031801 Power Cable UK Plug 1.8 M
- 1700000596 Power Cable China/Australia Plug 1.8 M
- 96PSA-A60W24T2 Adapter 100-240V 60W 24V 2.5A
- FPM-7000G-ADKE Mounting bracket of adapter for FPM-7000
- FPM-1000T-SMKE Stand/Wall Mount Kit

Front View



I/O View



Rear View

