

Philips LED T8 System

Ideal upgrade for linear fluorescent applications where light performance and energy savings are critical

Philips LED T8

DESIGNLIGHTS
CONSORTIUM



A new era in performance

Philips LED T8 System is the optimal choice when upgrading existing linear fluorescent fixtures

Designed for high performance applications

- Patent pending channeled optic lens delivers 104 lumens per watt at the system level
- Meets IES footcandle requirement for office space
- System meets specifications for Category 28 in the DesignLights Consortium product list*

Easy to experience

- Centium LED Driver wires exactly the same as an Instant Start T8 ballast for quick and easy installation¹
- Fits into existing linear fluorescent fixtures
- UL 1598C compliance ensures the fixture maintains original UL compliance

Energy savings alternative

- Save over 35% in energy when compared to a F34T12 magnetic system²
- Save over 17% in energy when compared to a F32T8 electronic system³

Sustainable lighting solution

- Glass free for safer working conditions
- 5 year limited warranty⁴



PHILIPS

Philips LED T8 System

Lamps Ordering, Electrical and Technical Data (Subject to change without notice)

Product Number	Ordering Code	Nom. Watts	Volts	Bulb Type	MOL (in.)	Initial Lumens ⁵	Base	CRI	Color Temp. (K)	Pkg. Qty	Rated Avg. Life (Hrs.) ⁶
42719-5	22T8/EXT/48-3500K UNV	22.5	100-277	T8	48"	2500	G13	85	3500K	10	50,000
42720-3	22T8/EXT/48-4000K UNV	22.5	100-277	T8	48"	2500	G13	85	4000K	10	50,000
42721-1	22T8/EXT/48-6500K UNV	22.5	100-277	T8	48"	2500	G13	85	6500K	10	50,000

1) Must follow guidelines for installation from Philips Quick Installation Guide included with lamp shipment.

2) (2) Lamp F34T12 Magnetic System = 74 System Watts
 (2) LED T8 Lamp 48" EXT with LE TLED 2 Lamp Driver = 48 System Watts
 74 - 48 = 26 System Watts Saved
 26 / 74 = 35.1% Energy Saved

3) (2) Lamp F32T8 IS Electronic System = 58 System Watts
 (2) LED T8 Lamp 48" EXT with LE TLED 2 Lamp Driver = 48 System Watts
 58-48 = 10 Watts Saved
 10 / 58 = 17.2% Energy Saved
 4) See warranty for terms and conditions.

5) Photometric testing consistent with IES LM-79.
 6) Tested to B50 L70 requirement.

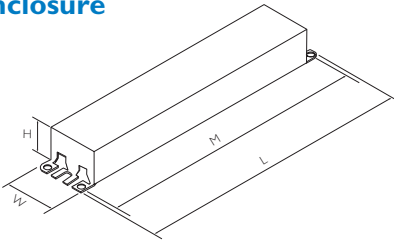
Driver Ordering, Electrical and Technical Data (Subject to change without notice)

No. of Lamps	Input Volts	Lamp Starting Method	Driver Family	Catalog Number	Input Power (W)	Line Current (Amps)		Min. Starting Temp (F/C)
						120V	277V	
1	120-277V (+/-10%)	Instant Start	Centium	ICN-2P24-TLED-SC	25W	0.20A	0.09A	0°F/-18°C
2	120-277V (+/-10%)	Instant Start	Centium	ICN-2P24-TLED-SC	48W	0.40A	0.17A	0°F/-18°C
3	120-277V (+/-10%)	Instant Start	Centium	ICN-4P24-TLED-SC	69W	0.61A	0.27A	0°F/-18°C
4	120-277V (+/-10%)	Instant Start	Centium	ICN-4P24-TLED-SC	93W	0.82A	0.36A	0°F/-18°C

Features

- Instant Start driver (Independent Lamp Operation)
- 120-277V Input Voltage (+/-10%)
- <10% Total Harmonic Distortion (THD)
- Maximum Case Temperature 70°C
- RoHS Compliant
- UL and CSA Listed

Enclosure

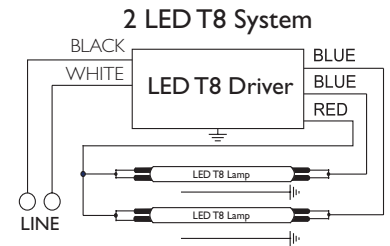
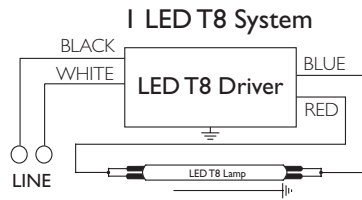


Enclosure Dimensions

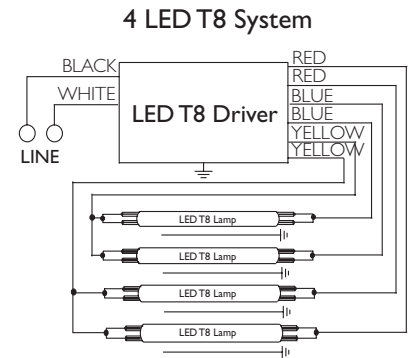
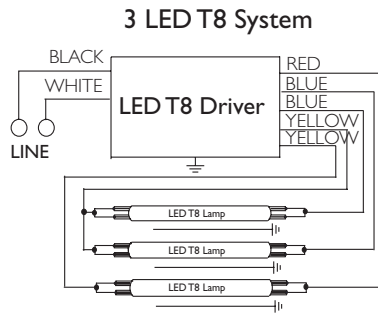
Overall (L)	Width (W)	Height (H)	Mounting (M)
9.5"	1.7"	1.18"	8.9"
9½"	1 7/10"	1 9/50"	8 9/10"
24.1 cm	4.3 cm	3 cm	22.6 cm

Wiring Diagrams

ICN-2P24-TLED-SC



ICN-4P24-TLED-SC



† Restrictions on Hazardous Substances (RoHS) is a European directive (2002/95/EC) designed to limit the content of 6 substances [lead, mercury, cadmium, hexavalent chromium, polybrominated biphenyls (PBB), and polybrominated diphenyl ethers (PBDE)] in electrical and electrical products. For products used in North America, compliance with RoHS is voluntary and self-certified.



© 2013 Philips Lighting Company.
 A Division of Philips Electronics North America Corporation.
 All rights reserved.
 Printed in USA 1/13
 P-6464
 www.philips.com

Philips Lighting Company
 200 Franklin Square Drive
 Somerset, NJ 08873
 1-800-555-0050

Philips Lighting
 281 Hillmount Road
 Markham, Ontario
 Canada L6C 2S3
 1-800-555-0050
 A Division of Philips Electronics Ltd.