



60 Hz Core & Coil Ballasts

Metal Halide



Input Volts	Catalog† Number	Circuit Type	Input Watts	Max Input Current*	Nom Open Circuit Voltage	Fuse Rating (Amps)	Wiring Dia	Dimensions			Non-PCB Capacitor (Page 5-38 & 5-39)				Total Weight (lbs)	Ignitor †† (Page 5-40 to 5-44)		U.L. Bench Top Rise Code 1029 (pg 5-4)
								Fig	A	B	Mfd	Min Volt	Cap Catalog Number	Dry or Oil		Part Number	Max Dist To Lamp (ft)	
200W Lamp, ANSI Code M136 (Pulse Start)																		
480/120T	71A5642-500DTEE	Super CWA	227	0.5	242	2	M	1	2.9	4.2	15	330	7C150M33	D	8.7	LI533-H4	2	A
120/208/240/277	71A5692-500DEE	Super CWA	227	2.2/1.3/1.1/1.0	242	6/4/3/3	M	1	3.0	4.2	15	33	7C150M33	D	8.8	LI533-H4	2	A/A/A/A
120/208/240/277	71A5692-001D	Super CWA	232	2.0/1.2/1.0/9	240	6/4/3/3	M	1	2.5	3.6	15	330	7C150M33	D	8.0	LI533-H4	2	A/B/A/A
120/277/347	71A56A2-500D	Super CWA	232	2.1/9/7	235	6/3/2	M	1	2.5	3.6	15	330	7C150M33	D	8.0	LI533-H4	2	C/A/A
120/208/240/277	71A5693-500DEE	Super CWA	226	1.9/1.2/1.0/9	250	5/3/3/2	M	2	1.7	3.6	15	330	7C150M33	D	11.3	LI533-H4	2	A/A/A/A
205W Lamp (Pulse Start), ANSI Code C184 (Philips AllStart)																		
480/120T	AS205W480T-500DEE	Super CWA	232	0.49	280	2	M	2	1.9	3.7	16	400	7C160P40	D	12.9	LI533-H4	2	A
120/208/240/277	AS205WQUAD-500DEE	Super CWA	232	2.0/1.1/1.0/0.86	280	5/3/3/2	M	2	1.7	3.7	16	400	7C160P40	D	11.8	LI533-H4	2	A/A/A/A

WELDED BRACKET DIMENSIONS

Ballast Dimensions Fig	L	W	M	S
1	5.1	1.00	4.50	0.25
2, 10	6.5	1.25	5.75	0.28

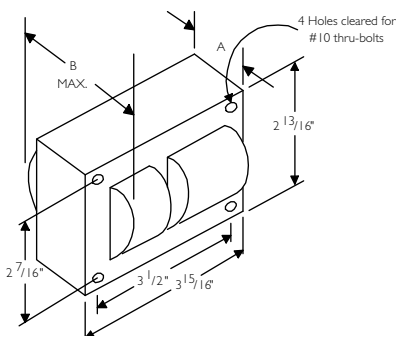
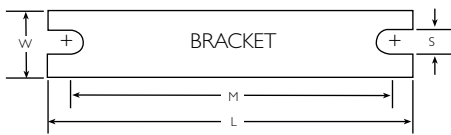


Fig. 1
(3" x 4" Core)

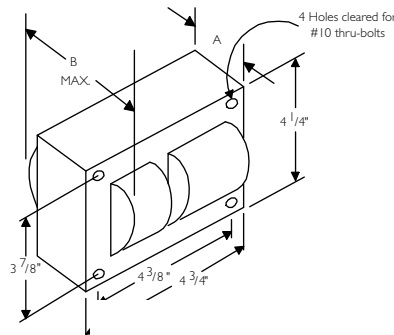


Fig. 2
(4 1/4" x 4 3/4" Core)

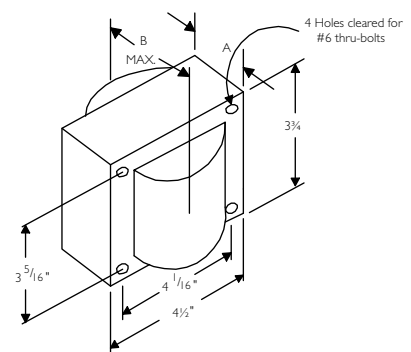


Fig. 10
(4 1/2" x 3 3/4" Reactor Core)



HID • Core & Coil
Metal Halide