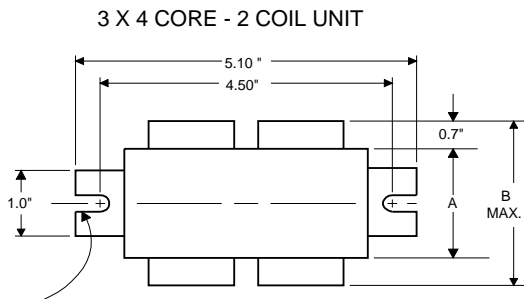
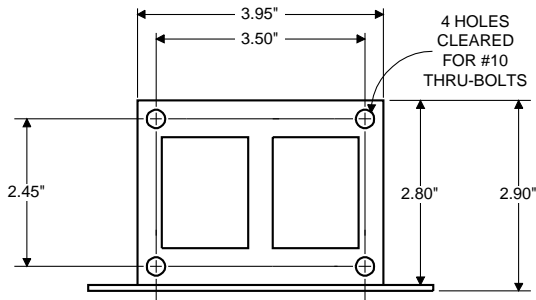


#### DIMENSIONS AND DATA

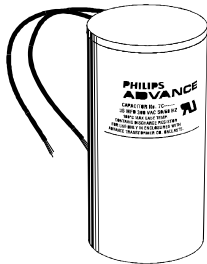


0.25" WIDE  
2 SLOTS



	120	208	240	277
INPUT VOLTS				
CIRCUIT TYPE	HX-HPF			
POWER FACTOR (min)	90%			
REGULATION				
Line Volts	±5%			
Lamp Watts	±12%			
LINE CURRENT (Amps)				
Operating.....	1.60	1.00	0.80	0.70
Open Circuit.....	3.65	2.10	1.80	1.58
Starting.....	1.75	1.30	0.85	0.77
UL TEMPERATURE RATINGS				
Insulation Class	H(180°C)			
Coil Temperature Code	1029			
MIN. AMBIENT STARTING TEMP.	-20°F or -30°C			
NOM. OPEN CIRCUIT VOLTAGE	265			
INPUT VOLTAGE AT LAMP DROPOUT.....	90	156	180	208
INPUT WATTS	185			
RECOMMENDED FUSE (Amps).....	10	5	5	4
CORE and COIL				
Dimension (A)	2.25			
Dimension (B)	3.87			
Weight (lbs.)	7			
Lead Lengths	12"			
CAPACITOR REQUIREMENT				
Microfarads	16.0			
Volts (min.)	280			
Fault Current Withstand (amps)				
60 Hz TEST PROCEDURES (Refer to Philips Lighting Electronics N.A. TEST Procedure for HID Ballasts - Form 127 High Potential Test (Volts)				
1 minute	2000			
2 seconds	2500			
Open Circuit Voltage Test (Volts)	235-290			
Short-Circuit Current Test (Amps)				
Secondary Current	2.05-2.55			
Input Current.....	1.45-2.20	1.10-1.65	0.75-1.10	0.63-0.95

Capacitor: 7C160M30RA



Capacitance: 16  
Dia/Oval Dim: 1.58  
Height: 2.68  
Temp Rating: 105°C



Wiring Diagram:

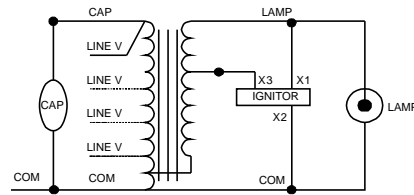


Fig. K

#### Typical Ordering Information

(please call Philips Lighting Electronics N.A. for suffix availability)

Order Suffix

Description

Ignitor: LI533-H4



Red (X1)  
White (X2)  
Blue (X3)

Ballast to Lamp Distance  
(BTL) = 10 feet  
Temp Rating: 105°C

Data is based upon tests performed by Philips Lighting Electronics N.A. in a controlled environment and is representative of relative performance. Actual performance can vary depending on operating conditions. Specifications are subject to change without notice.

### PHILIPS LIGHTING ELECTRONICS N.A.

10275 WEST HIGGINS ROAD · ROSEMONT, IL 60018

Tel: 800-322-2086 · Fax: 888-423-1882 · www.philips.com/advance

Customer Support/Technical Service: 800-372-3331 · OEM Support: 866-915-5886

Revised: 07/31/09