

Catalog Number	
Notes	Type

FEATURES & SPECIFICATIONS

INTENDED USE

Provides general illumination for outdoor use in residential and light commercial applications. Ideal for walkways, large yards, parking lots, barns and play areas creating an inviting exterior space as well as providing safety and security.

ATTRIBUTES

Dusk-to-dawn photocell automatically turns on at dusk and off at dawn for convenience and energy savings. Rugged, weather and rust resistant die-cast aluminum housing withstands harsh weather environments. 9" diameter prismatic acrylic lens provides a wide spread uniform illumination. Mounting bracket easily installs directly to wall or post. Fixture can be ordered with mounting arm to extend fixture 24" from wall or post.

Includes (1) 70W high pressure sodium (HPS) medium base lamp.

LISTING

CUL listed to US and Canadian safety standards and suitable for wet locations.

WARRANTY

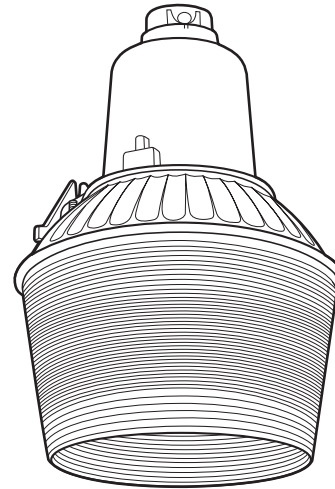
Guaranteed for one year against mechanical defects in manufacture. (Excluding lamp).

Outdoor General Purpose

Area Light

Dusk-to-Dawn - Standard

High Pressure Sodium

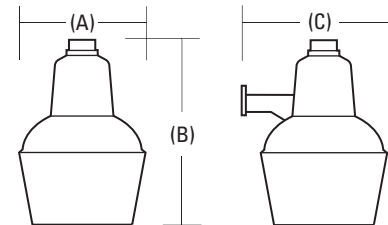


DIMENSIONS

Lamp Configuration	Model Number	Number of Lamps	(A) Width inches (cm)	(B) Height inches (cm)	(C) Extension* inches (cm)
	OAL 70S	(1) 70 (HPS)	9-1/2" (24.1) medium base lamp	16-3/4" (42.5)	12-1/2" (31.8)

* Maximum extension from wall

All dimensions are in inches (centimeters)



ORDERING INFORMATION

Example: **OAL 70S 120 PER LP**

Choose the boldface catalog nomenclature that best suits your needs and write it on the appropriate line. Order accessories as and replacement parts separate catalog numbers.

OAL 70S	120	PER	LP
Model Number	Ballast/Voltage	Features	Lamp
OAL 70S (1) 70S (HPS) medium base lamp	120 120 volt residential electronic ballast (standard)	PER Twist lock photocontrol	LP Lamp included

Accessories/Replacement parts

OMA 24 M6	24" extension arm
DROAL70HS	10" replacement diffuser

Area Light Outdoor General Purpose

PHOTOMETRICS

Full photometric data report available within 2 weeks from request. Consult factory.



Consumer Products

One Lithonia Way, Conyers, GA 30012
Phone: 800-748-5070 Fax: 770-860-3903

In Canada: 160 Avenue Labrosse, Point-Claire, P.Q., H9R 1A1
www.lightahome.com