

Catalog Number	
Notes	Type

## FEATURES & SPECIFICATIONS

### INTENDED USE

The OnePass Circuit Selector (OCS) is a plug-in connection for industrial fixtures. The OCS can be prewired by fixture manufacturer or field installed.

### ELECTRICAL

- Rated for use on 20-amp branch circuits.
- 18 AWG rubberized cord rated for 600V, 105°C temperature containing a fully rated ground conductor.
- Molded circuit identifier denotes position of each conductor.
- Safety-keying prevents accidental mating of components with different voltages.

### SYSTEM FEATURES

- Pin and socket contacts.
- Color-coded labels for quick voltage identification.

### LISTINGS

- UL Listed. CSA certified.

### WARRANTY

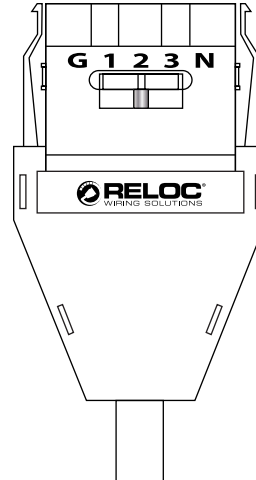
- 5-year limited warranty. Complete warranty terms located at [www.acuitybrands.com/CustomerResources/Terms\\_and\\_conditions.aspx](http://www.acuitybrands.com/CustomerResources/Terms_and_conditions.aspx)

**Note:** Actual performance may differ as a result of end-user environment and application. Specifications subject to change without notice.

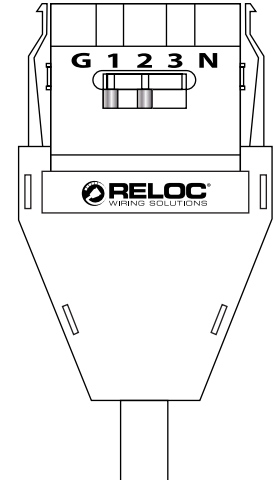
### OnePass® Circuit Selector

### OPEN CEILING LIGHTING SYSTEM

# OCS



120, 277, and 347 volt single selector switch



208, 240, and 480 single or three-phase systems and 18/3G options for 120, 277, and 347V for selecting two tap positions

Examples	Ships Separately (Field Installation)	Ships Attached (Factory Installation)	Fixture w/o RELOC	Fixture with RELOC
	OCS 277	OCS	IBZ 454L GEB10PS90	IBZ 454L 277 GEB10PS90 OCS
	OCS 120 18/3G 10 IMP	OCS4C10	IBZ 454L GEB10PS90 IMP	IBZ 454L 120 GEB10PS90 OCS4C10IMP

## ORDERING LOGIC

For shortest lead times, configure product using **bolded options**.

### OCS

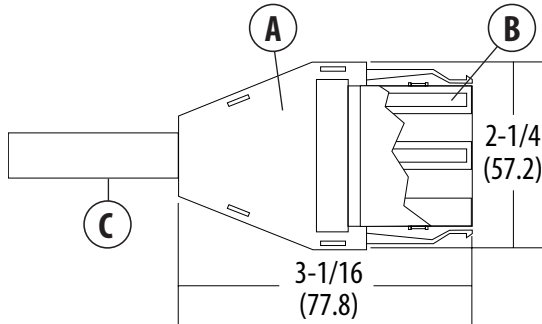
Series	Voltage	Conductors	Length	Options
<b>OCS<sup>1</sup></b>	<b>120</b> 120V	For 120, 277, and 347 volts <sup>2</sup> <b>(blank)</b> Three 18 AWG conductors, including ground <b>18/3G</b> Four 18 AWG conductors, including ground <sup>3</sup>	<b>(blank)</b> 6 ft.	<b>(blank)</b> White cord
	<b>277</b> 277V		<b>10</b> 10 ft.	<b>BK</b> Black cord
	<b>347</b> 347V		<b>15</b> 15 ft.	<b>IMP</b> IMP connector
	<b>208</b> 208V	For 208, 240, and 480 volts <sup>3,4</sup> <b>(blank)</b> Three 18 AWG conductors, including ground	<b>20</b> 20 ft.	<b>RRL</b> RELOC® ready luminaire <sup>5</sup>
	<b>240</b> 240V		<b>25</b> 25 ft.	
	<b>480</b> 480V			

### NOTES

1. For ordering attached to an Acuity Brands lighting fixture, simply move the voltage before the ballast description and remove all other spaces from the OCS catalog number (see examples above).
2. 120, 277, and 347 two neutral applications require the OCU to tap the second hot and neutral.
3. 208, 240, 480, and 18/3G options have two selector switches for selection of any 2 of the 3 tap positions available (see picture above). 208, 240, 480 volts not available with 18/3G.
4. For two-circuit 208, 240, and 480 volt applications, the OCU TAP 34 is required to tap the second circuit.
5. If RRL selected, fixture must have RRL and wiring instruction. See fixture spec sheet for details. See [RRL](#) spec sheet for connector details.

## DIMENSIONS

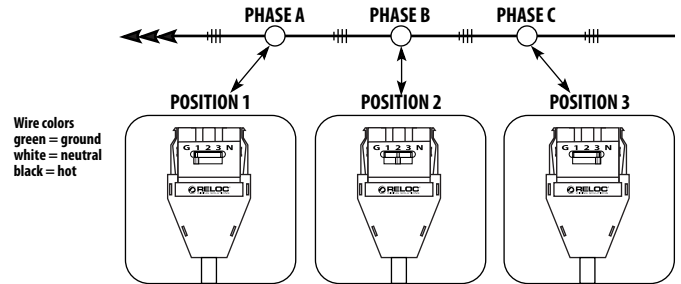
Dimensions are shown in inches (millimeters)



- A – Injection molded, high-impact polymeric compound enclosure
- B – Tin-plated, brass contacts
- C – Rubberized cord with 18 AWG conductors, rated at 600V, 105°C and containing a fully rated ground conductor

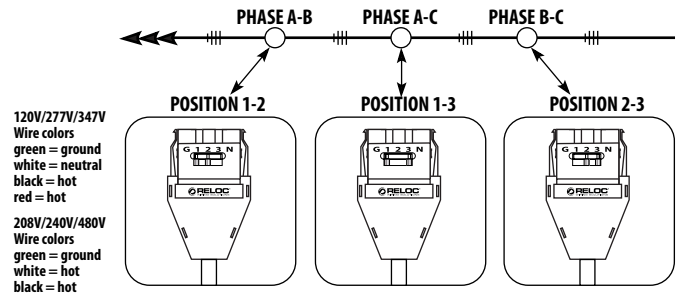
### OCS Application for 120V, 277V and 347V Systems

A 3-phase run from a hardwire drawing is shown below. The three OCS connector views show how fixtures can be energized alternating between the phases on a run by placing the OCS selector switch into position 1, 2 or 3.



### OCS Application for 208, 240, 480 and 18/3G Option for 120V, 277V and 347V Systems

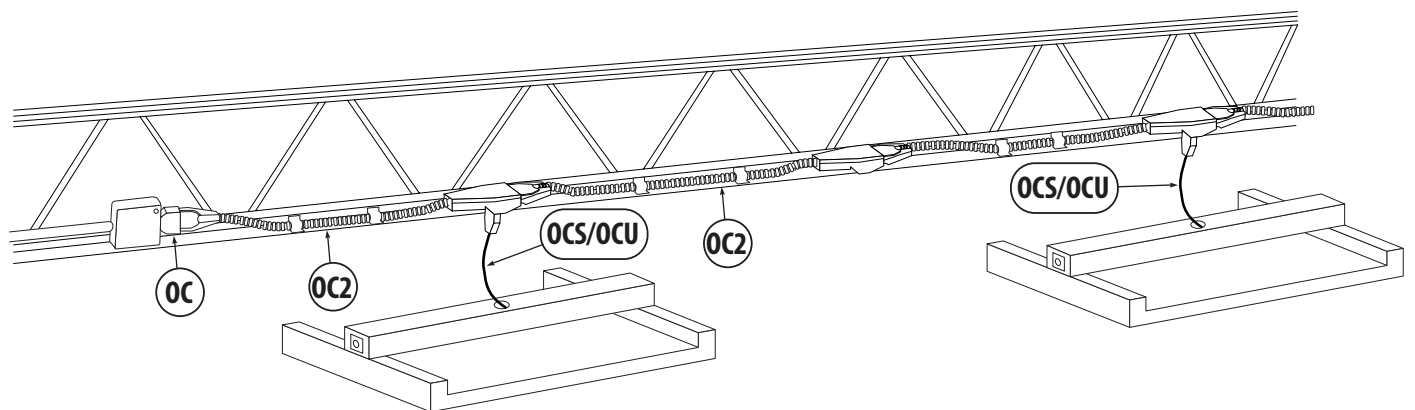
A 3-phase run from a hardwire drawing is shown below. The three OCS connector views show how fixtures can be energized alternating between the three phases on a run by placing the OCS selector switch into position 1-2, 1-3 or 2-3.



Note: OCS cannot be used for the second circuit (tap 34) in a 208/240/480V application. See OCU.

## SYSTEM VIEW

System View designs are for illustrative purposes only.



**INTEGRATED MODULAR PLUG (IMP)** must be factory-installed and allows for field installation of various modular accessories including cord sets, motion sensors, photocells and LC&D X-point™ relays.