

FEATURES & SPECIFICATIONS

INTENDED USE

Intended for mounting heights up to 16' requiring low to medium light levels. Ideal for light duty task lighting, aisles, warehousing and storage.

CONSTRUCTION

Constructed to comply with New York City Electrical Code. Made in USA.

Channel constructed of die-formed cold rolled steel with longitudinal V-grooves in the channel for strength. Sturdy combination reflector and channel cover secured by quarter-turn latch for easy access to wire-way. Screw on endplates. Available in 4', or 8' tandem wired lengths. Accepts plug-in option for 1, 2 or 3 primary circuits.

FINISH: Five-stage iron phosphate pretreatment ensures superior paint adhesion and corrosion-resistance. Reflector and channel finished with a high-gloss baked white enamel.

OPTICAL

Solid-top or apertured uplight reflectors available. Both are painted after fabrication.

ELECTRICAL

Thermally protected, resetting, Class P, HPF, non-PCB, UL Listed and CSA Certified ballast is standard. Sound rating depends on lamp/ballast combination.

AWM, TFN, THHN wire throughout, rated for required temperatures.

INSTALLATION

For unit or row installations, surface or suspended mounting. Channel connector furnished standard.

LISTINGS

UL Listed for 25°C ambient temperatures and damp locations. 120V, 277V and MVOLT are UL Listed (standard).

WARRANTY — 1-year limited warranty. Full warranty terms located at www.acuitybrands.com/CustomerResources/Terms_and_conditions.aspx.

Lamp and Ballast warranties provided through the component manufacturers.

Actual performance may differ as a result of end-user environment and application.

Note: Specifications subject to change without notice.

Catalog Number
Notes
Type

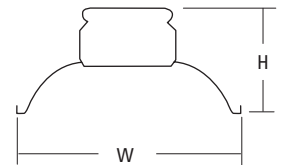
General Purpose Industrial

EJS NY



2', 4' or 8' length
2 lamps

Specifications	
Length:	24 (61.0), 48 (121.9), 96 (243.8)
Width:	12 (30.5)
Depth:	4-1/4 (10.8)



All dimensions are inches (centimeters) unless otherwise noted.

ORDERING INFORMATION

For shortest lead times, configure products using **standard options (shown in bold)**.

Example: EJS 2 32 MVOLT GEB10IS NY

Series ¹	Number of lamps	Lamp type	Voltage	Options
EJS Standard width, no uplight	2	T8 lamps	MVOLT	Shipped installed in fixture
EJSA Standard width, with uplight	Not included	17 17W (24") 32 32W (48")	Others available	GEB10IS T8 electronic ballast, <10% THD, instant start
For tandem double-length unit, add prefix T. Example: TEJS		Slimline lamps 96T8 59W (96")		GEB10PS Electronic ballast, <10% THD, program start ¹
				EL Emergency battery pack (nominal 300 lumens); see Life Safety Section
				NY I.B.E.W. union made, NYC code compliant
				NY3 I.B.E.W. Local 3 union made, NYC code compliant

Accessories: Order as separate catalog number.	
SQ_	Swivel stem hanger (specify length in 2" increments).
1B	Ceiling spacer (1-1/2" to 2-1/2" from ceiling).
HC36	Chain hangers (1 pair, 36" long).
THUN	Tong Hanger
HRUNS1	Hooker™ T-bar hanger (1-1/2" from ceiling).
WGL	4' white wireguard (order two for 8' fixtures).

Notes

1 Must specify voltage.

EJS NY Rapid Start

MOUNTING DATA

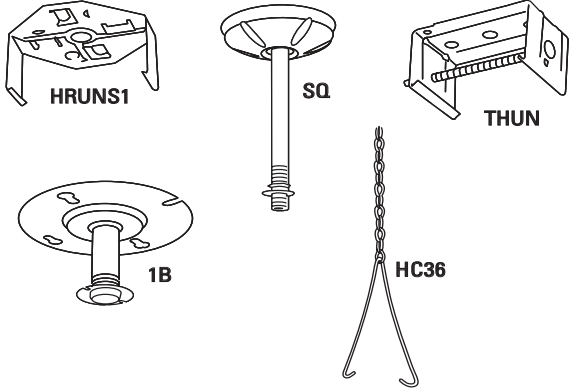
For unit or row installation, surface or suspended mounting. Use hanger appropriate for fixture width.

Unit installation — Minimum of two hangers required.

Row installation — One hanger per channel plus one per row required.

Hooker® (HRUNS1), HC36 and THUN Hangers — Minimum two per channel (unit and row).

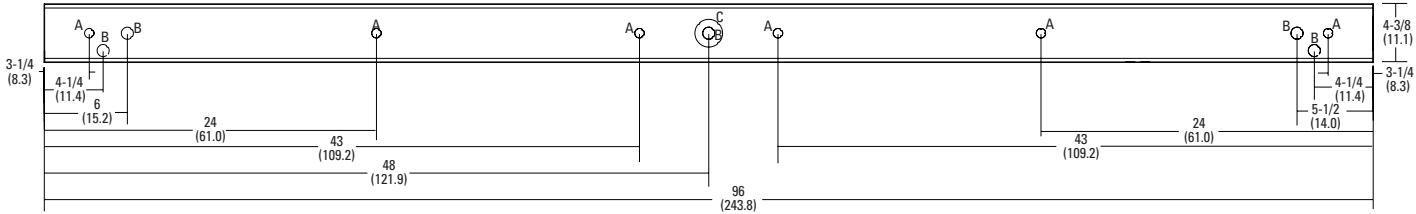
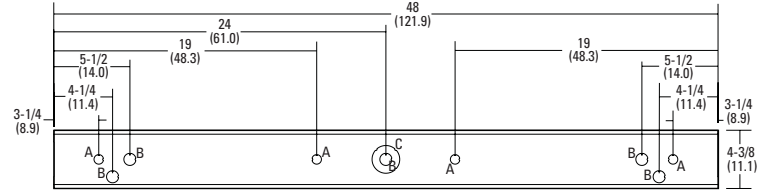
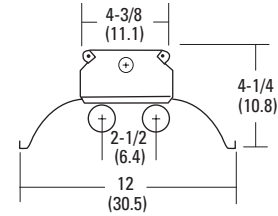
See ACCESSORIES below for hanging devices.



DIMENSIONS

Inches (centimeters). Subject to change without notice.

- A = 11/16 (1.8) Dia. K.O.
- B = 7/8 (2.2) Dia. K.O.
- C = 2 (5.1) Dia. K.O.



PHOTOMETRICS

Calculated using the zonal cavity method in accordance with IESNA LM41 procedure. Floor reflectances are 20%. Lamp configurations shown are typical. Full photometric data on these and other configurations available upon request.

EJS 2 32

Report: **LTL12584**

LUMENS PER LAMP: **2900**

Luminaire Efficiency: **88.5%**

Coefficients of Utilization

pc	80%			50%			30%		
	70%	50%	30%	50%	30%	10%	50%	30%	10%
0	105	105	105	98	98	98	94	94	94
1	95	91	87	85	82	79	81	79	76
2	86	78	71	73	68	63	70	66	62
3	78	68	60	63	57	52	61	56	51
4	71	59	51	56	49	44	54	48	43
5	65	53	44	50	43	37	48	42	37
6	60	47	39	45	37	32	43	37	32
7	55	42	34	40	33	28	39	33	28
8	51	39	31	37	30	25	36	29	25
9	48	35	28	34	27	22	33	27	22
10	45	32	25	31	25	20	30	24	20

Zonal Lumen Summary

Zone	Lumens	% Lamp	% Fixture
0° - 30°	1163	20.1	22.7
0° - 40°	1965	33.9	38.3
0° - 60°	3748	64.6	73.0
0° - 90°	5131	88.5	100.0
90° - 180°	0	0.0	0.0
0° - 180°	5131	88.5	100.0

EJSA 2 32

Report: **LTL12586**

LUMENS PER LAMP: **2900**

Luminaire Efficiency: **88.6%**

Coefficients of Utilization

pc	80%			50%			30%		
	70%	50%	30%	50%	30%	10%	50%	30%	10%
0	104	104	104	95	95	95	90	90	90
1	94	89	85	82	79	76	77	75	72
2	85	77	70	70	65	61	66	62	58
3	76	66	59	61	55	50	58	52	48
4	69	58	50	53	47	41	51	45	40
5	63	51	43	47	40	35	45	39	34
6	58	46	38	42	36	30	40	34	30
7	54	41	33	38	32	27	36	30	26
8	50	37	30	35	28	23	33	27	23
9	47	34	27	32	25	21	31	25	21
10	44	31	24	29	23	19	28	23	18

Zonal Lumen Summary

Zone	Lumens	% Lamp	% Fixture
0° - 30°	1035	17.8	20.1
0° - 40°	1752	30.2	34.1
0° - 60°	3424	59.0	66.6
0° - 90°	4783	82.5	93.0
90° - 180°	358	6.2	7.0
0° - 180°	5141	88.6	100.0

EJS 2 40

Report: **LTL12579**

LUMENS PER LAMP: **3200**

Luminaire Efficiency: **84.7%**

Coefficients of Utilization

pc	80%			50%			30%		
	70%	50%	30%	50%	30%	10%	50%	30%	10%
0	101	101	101	94	94	94	90	90	90
1	91	87	83	82	79	76	78	76	74
2	83	75	69	70	66	61	68	64	60
3	75	65	58	61	55	51	59	54	50
4	68	57	49	54	48	43	52	46	42
5	62	51	43	48	41	36	46	40	36
6	57	46	38	43	36	31	42	36	31
7	53	41	33	39	32	28	38	32	27
8	49	37	30	36	29	24	34	29	24
9	46	34	27	33	26	22	32	26	22
10	43	31	24	30	24	20	29	24	20

Zonal Lumen Summary

Zone	Lumens	% Lamp	% Fixture
0° - 30°	1258	19.7	23.2
0° - 40°	2124	33.2	39.2
0° - 60°	4043	63.2	74.6
0° - 90°	5420	84.7	100.0
90° - 180°	0	0.0	0.0
0° - 180°	5420	84.7	100.0