

FEATURES & SPECIFICATIONS

INTENDED USE

For wall mount – vertical or horizontal. Ideal for stairwells, corridors, lavatories or any utility application. **Certain airborne contaminants can diminish integrity of acrylic.** [Click here for Acrylic Environmental Compatibility table for suitable uses.](#)

ATTRIBUTES

Detachable, hinged service tray for ease of installation and maintenance. Night-light options available. Consult factory.

CONSTRUCTION

Housing is precision die-formed from 20 gauge cold-rolled steel. Diffuser is high-impact 50% DR acrylic.

FINISH

Five-stage, iron-phosphate pretreatment assures superior paint adhesion and rust resistance.

Painted parts finished with high-gloss, high-reflectivity baked white polyester paint after fabrication (PAF). Optional architectural black 40% gloss finish.

OPTICAL SYSTEM

High-impact acrylic lower diffuser. Optically engineered for superior light distribution and tinted to mask lamp image and control glare. Easy snap-in installation.

ELECTRICAL SYSTEM

Thermally-protected, resetting, Class P, HPF, non-PCB, UL Listed, CSA Certified ballast is standard. Luminaire is suitable for damp locations. AWM, TFN or THHN wire used throughout, rated for required temperatures.

UL/CSA listed ballast disconnect w/strain relief and leads provided standard.

LISTING

UL Listed to US and Canadian safety standards. Optional: Mexico NOM.

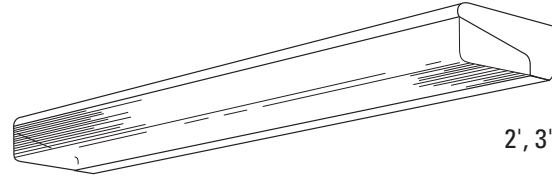
WARRANTY

Guaranteed for one year against mechanical defects in manufacture.

Catalog Number	
Notes	Type

Premium Wall Bracket

WP



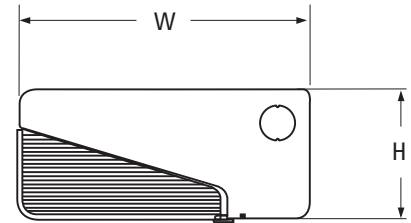
T5 and T8
2', 3' or 4' Lengths
1 or 2 Lamps

Specifications

Length: 24 (60.96), 36 (91.44) or 48 (121.92)

Width: 7-3/16 (18.26)

Depth: 3-1/4 (8.26)



All dimensions are inches (centimeters). Specifications subject to change without notice.

ORDERING INFORMATION

For shortest lead times, configure product using **standard options (shown in bold)**.

Example: WP 2 32 MVOLT GEB10IS

WP					
Series	Lamp type	Up-light shielding type	Voltage	Options	
WP Wall bracket	17 17W T8 (24") 25 25W T8 (36") 32 32W T8 (48") 14 14W T5 (24") ¹ 21 21W T5 (36") ¹ 28 28W T5 (48") ¹ 24 24W T5HO (24") ¹ 39 39W T5HO (36") ¹ 54 54W T5HO (48") ¹	(blank) #12 pattern inverted 0.125" thick upright lens ACF125 Matte white 0.125" thick flat acrylic upright lens PCL12125V #12 pattern, inverted 0.125" thick polycarbonate upright lens DO Downlight only. Standard high-impact acrylic lower diffuser, solid metal housing	120 277 347 MVOLT Others available.	2/1 Two 1-lamp ballasts ^{2,3} GEB10IS Electronic ballasts, ≤ 10% THD, instant start GEB10PS Electronic ballasts, ≤ 10% THD, program start EL Emergency battery pack (nominal 300 lumens); see Life Safety section GLR Internal fast-blow fuse GMF Internal slow-blow fuse TPS Tamperproof attachment of lower diffuser MB Architectural black finish, 40% gloss BF Internal baffle for up/down light separation ⁴ CO Convenience outlet; installed bottom right (120V only) ⁵ S1 Pull-chain switch; installed bottom left; on/off operation of all lamps only (120V only) ⁵ S2 Pull-chain switch; on/off operation of forward (down) lamp, rear (up) lamp remote-switched (120V only) ^{4,5} S4 Pull-chain switch; four position — front only, rear only, all on, all off; installed bottom left (120V only) ^{4,5} SWR Rocker switch; on/off operation of all lamps only; installed bottom right (120V only) ⁵ CSA Listed and labeled to comply with Canadian Standards	
Number of lamps					
1					
2					
Not included.					

NOTES:

- All T5 lamp types use GEB10PS ballast only.
- Must be specified with S2, S4 or BF options.
- BF option must be specified if separation of up and down light is desired.
- Requires 2/1 option.
- For optional locations, consult factory.
- Supplied with standard high-impact acrylic lower diffuser.
- Applications requiring mounting flush with both ceiling and wall, require DO option.

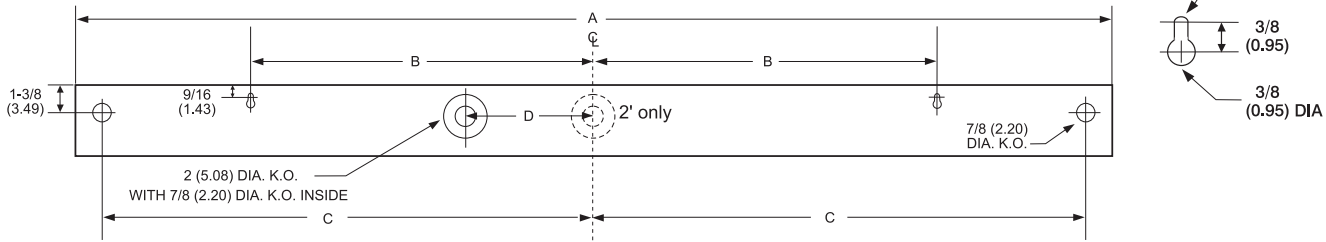
Accessories

Order as separate catalog number.

U4220 Hex base driver bit, Torx TX20, for tamper-resistant screws with center pin.

WP Wall Bracket, Premium

MOUNTING DATA



DIMENSIONS

Inches (centimeters). Subject to change without notice.

A	B	C	D
24-7/16" (62.07)	8" (20.32)	10-15/16" (27.78)	----
36-7/16" (92.55)	16" (40.64)	16-15/16" (43.02)	4-13/16" (12.22)
48-7/16" (123.03)	16" (40.64)	22-15/16" (58.26)	4-13/16" (12.22)

PHOTOMETRICS

Photometry derived in accordance with IESNA LM41 procedure. Vertical and horizontal illuminance is calculated with fixture mounted 7' above floor. Reflectances 80/50/20 %. Full photometric data available upon request.

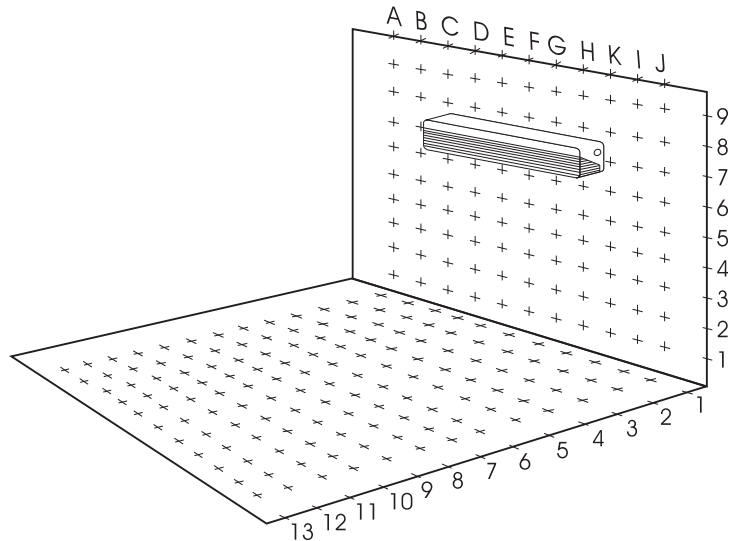
WP 2 32

Report LTL 6508

Initial Point Illuminance on wall and horizontal work surface. (fc)

X and Y coordinates are on 12" centers.

X	A	B	C	D	E	F	G	H	I	J	K
Y											
9	3	4	4	5	6	6	6	5	4	4	3
8	3	4	4	6	8	8	8	6	4	4	3
7	4	4	5					5	4	4	
6	4	4	4	12	22	23	22	12	4	4	4
Vert. 5	4	4	4	5	7	7	7	5	4	4	4
4	4	4	4	4	4	4	4	4	4	4	4
3	4	4	3	3	3	3	3	3	3	4	4
2	4	3	3	3	4	4	4	3	3	3	4
1	3	3	3	3	4	4	4	3	3	3	3
Horiz. 1	10	12	15	17	18	19	18	17	15	12	10
2	11	13	15	17	19	19	19	17	15	13	11
3	11	13	15	16	18	18	18	16	15	13	11
4	10	12	13	15	16	16	16	15	13	12	10
5	9	11	12	13	14	14	14	13	12	11	9
6	8	9	10	11	12	12	12	11	10	9	8
7	7	8	9	9	10	10	10	9	9	8	7
8	6	7	7	8	8	8	8	8	7	7	6
9	6	6	6	7	7	7	7	7	6	6	6
10	5	5	6	6	6	6	6	6	6	5	5
11	4	5	5	5	5	5	5	5	5	5	4
12	4	4	5	5	5	5	5	5	5	4	4
13	4	4	4	4	4	4	4	4	4	4	4



An Acuity Brands Company