

## FEATURES & SPECIFICATIONS

**INTENDED USE** — General illumination for rough service (vandal-resistant) applications. Ideal for areas that require higher levels of protection from physical assault, while providing proper illumination for safety or security. Certain airborne contaminants can diminish integrity of acrylic. [Click here for Acrylic Environmental Compatibility table for suitable uses.](#)

**CONSTRUCTION** — Housing - Constructed from one-piece die-cast aluminum. Three threaded 1/2" NPS plugs allow conduit entry, or the housing can be mounted over the outlet box.

**Gasket** - One-piece silicone perimeter lens gasket and closed-cell neoprene housing gasket help to seal out moisture and contaminants.

**Finish** - Post-painted after fabrication in dark bronze polyester powder coat. Additional colors available.

**OPTICS** — Lens - Clear prismatic, UV-stabilized, polycarbonate lens, nominal thickness .125" (1/8"). Prism optics provide uniformity with maximum spacing-to-mounting height ratios. Lens secured by either stainless steel tamper-resistant Torx® T-20 or standard stainless steel slotted hex-head screws (four of each included).

**Reflector** - Horizontal internal reflector (IR) required for wall mounted units.

**ELECTRICAL** — Ballast - Copper wound and 100% factory tested. Ballast is High Reactance, High Power Factor (35S is Normal Power Factor).

**Socket** - Porcelain, medium-base, horizontally oriented socket with copper alloy nickel-plated screw shell and center contact.

**Lamp** - Reduced UV lamp standard in Metal Halide units. Lamp included unless specified L/LP.

**INSTALLATION** — Unit may be ceiling or wall mounted. For maximum vandal-resistance, mount unit to structure through four mounting holes provided.

**LISTING** — UL Listed (standard). CSA Certified (see Options). NOM Certified (see Options). UL listed for 25°C ambient and wet locations for wall mount or covered ceiling applications.

Note: Specifications subject to change without notice.

Catalog Number
Notes
Type

### Rough Service Fixture



# VR3C

HID  
Ceiling/Wall-Mounted

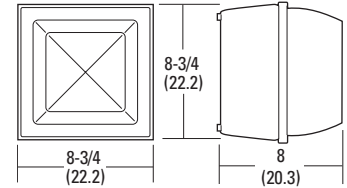
#### Specifications

Length: 8-3/4 (22.9)

Width: 8-3/4 (22.9)

Depth: 8 (20.3)

All dimensions are shown in inches (centimeters) unless otherwise specified.



### ORDERING INFORMATION

Lead times will vary depending on options selected. Consult with your sales representative.

**Example:** VR3C 50M 208 QRS LPI

VR3C Series	Wattage	Lens	Voltage	Options	Lamp <sup>8</sup>
VR3C	35S	(blank) Clear prismatic WP White polycarbonate	120	<u>Shipping installed in fixture</u>	LPI Lamp included (standard) L/LP Less lamp
			208	DF Double fuse (208, 240, 480) <sup>4</sup>	
	50S	50W high pressure sodium	240	EC Emergency circuit (incandescent - 25W max - DC bayonet base) <sup>5</sup>	
			277	IR Internal reflector	
	70S	70W high pressure sodium	347	NL Night-light (incandescent - 6W max - 6S6DC base) <sup>1,5</sup>	
			TB <sup>3</sup>	PE Photoelectric cell <sup>4,5</sup>	
	100S	100W high pressure sodium		QRS Quartz restrrike system <sup>2,5</sup>	
	50M	50W metal halide <sup>2</sup>		SF Single fuse (120, 277) <sup>4</sup>	
	70M	70W metal halide <sup>2</sup>		CSA CSA Certified	
	100M	100W metal halide		NOM NOM Certified	
			<u>Shipped separately</u> <sup>7</sup>		
			FV3C Steel vertical external visor		

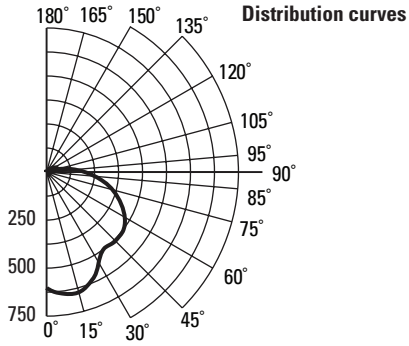
Accessories: Order as separate catalog number.	
RK1 T20BIT	Hex-base driver bit, Torx TX20, for tamper-resistant screws with center reject pin.
RK1 T20DRV	Torx TX20 screwdriver for use with tamper-resistant screws with center reject pin.

#### Notes

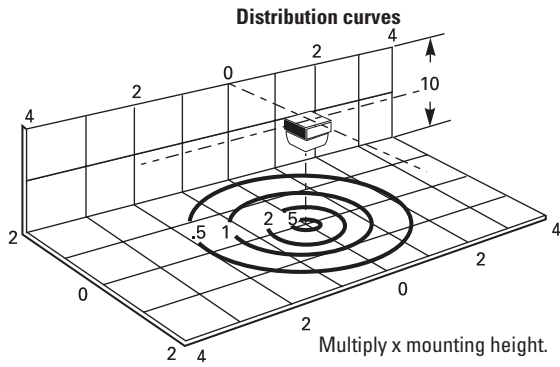
- 120V only.
- Not available in 480v.
- Multi-tap ballast (120V, 208V, 240V, 277V).
- Must specify voltage, not available with TB.
- Maximum wattage lamp provided.
- Wall-mounted units require IR option.
- For aluminum visor add AL (Example: FV3CAL).
- Lamp included unless specified L/LP.

# VR3C Rough Service Wall/Ceiling-Mounted Fixture, HID

**VR3C 70M**, 70W, Metal Halide lamp, 5,000 rated lumens. Test number 1194060102.



Output data		
Zone	Lumens	%lamp
0°-30°	456	9
0°-90°	2974	59
90°-180°	681	13
0°-180°	3656	73



	Distribution data		
	0°	45°	90°
0°	603	603	603
5°	578	581	606
15°	500	534	586
25°	465	480	493
35°	456	455	517
45°	429	505	537
55°	404	524	543
65°	355	523	498
75°	272	505	436
85°	189	425	338
90°	181	398	294

pf pc pw	Coefficient of utilization							
	80%		20%		30%		0%	
	50%	30%	50%	30%	50%	30%	50%	30%
1	67	63	58	55	53	50	41	
2	56	50	49	44	44	40	31	
3	48	41	42	36	38	33	25	
4	42	34	36	30	33	28	20	
5	37	29	32	26	29	24	16	
6	33	25	28	23	26	21	14	
7	29	22	26	20	23	18	12	
8	26	20	23	18	21	16	10	
9	24	18	21	16	19	15	9	
10	22	16	20	14	18	13	8	

Tested to current IES and NEMA standards under stabilized laboratory conditions. Various operating factors can cause differences between laboratory data and actual field measurements. Dimensions and specifications on this sheet are based on the most current available data and are subject to change without notice.

### Mounting Height Correction Factor

To obtain the footcandle value for different mounting heights multiply the footcandle value by the above correction factor.

MH	7.5'	15'	20'
10'	1.77	0.44	0.25



VR3CH\_0