

FEATURES & SPECIFICATIONS

INTENDED USE

Ideal where high brightness and high illumination levels are required such as retail, industrial and warehouse applications.

ATTRIBUTES

Fixtures assembled with snap and screwed together components. Available in a variety of lengths and lamp configurations. Gripper-back design for superior strength and rigidity.

The most popular catalog items will ship with simplified nomenclature. Example: UNS 2 96HO 120 GEB ships as UN296HO.

CONSTRUCTION

Heavy-duty, 20-gauge channel, cold-rolled steel.

Sturdy channel cover secured by quarter-turn latch for tool-less access to wireway. Screw-on endplates.

FINISH

Five-stage iron-phosphate pretreatment ensures superior paint adhesion and rust resistance. Finish is high-gloss baked white polyester.

ELECTRICAL SYSTEM

Thermally-protected, resetting, Class P, non-PCB, UL Listed, CSA Certified ballast is standard. Electronic T12 high-output (HO) ballasts rated to start full-wattage lamps at -20°F. CW20 cold-weather option not required in fixture description.

Fixture is suitable for damp locations. AWM, TFN or THHN wire used through-out, rated for required temperatures.

INSTALLATION

For unit or row installation, surface or suspended mounting. Channel connector furnished standard.

LISTING

UL Listed to US and Canadian safety standards. Optional: Mexico NOM.

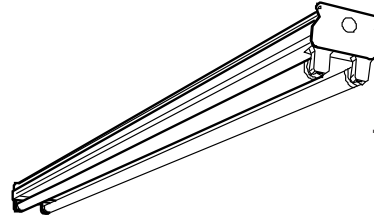
WARRANTY

Guaranteed for one year against mechanical defects in manufacture.

Catalog Number	
Notes	Type

Heavy-Duty Strip

UNS



T12, ELECTRONIC BALLASTS

4', 6' or 8' length
1 or 2 lamps

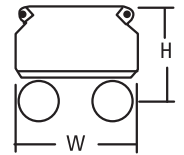
Specifications

Length: 24" (610), 36" (914), 48" (1219),
72" (1829) or 96" (2438)

Width: 4-3/8" (111)

Height: 3" (76)

All dimensions are inches (millimeters). Specifications subject to change without notice.



ORDERING INFORMATION

For shortest lead times, configure product using **standard options (shown in bold)**.

Example: UNS 2 96HO 120 GEB

UNS						
Series	Lamps	Lamp Type		Voltage	Options	
UNS Heavy-duty strip For tandem double-length unit, add prefix T. Example: TUNS	1	48	38W T12 Slimline (48")	120	<u>Shipped installed in fixture</u> GEB T12 electronic ballast, <20% THD CW Cold-weather ballast 0°F starting ² EL6 Emergency battery pack (nominal 600 lumens), see Life Safety Section GLR Internal fast-blow fusing GMF Internal slow-blow fusing PLF_ Plug-in wiring; specify 1, 2 or 3 branch circuits and hot wires (A=black, B=red, C=blue, AB or AC) TILW Tandem in-line wiring NOM NOM Certified	
	2	72	55W T12 Slimline (72")	277		
	Not included.	96	75W T12 Slimline (96")	347		
		48HO	60W T12 800MA (48")	MVOLT ¹		
		72HO	85W T12 800MA (72")			
		96HO	110W T12 800MA (96")			

Accessories

Order as separate catalog numbers.

SQ_	Swivel stem hanger (specify length in 2" increments)
1B	Ceiling spacer (1-1/2" to 2-1/2" from ceiling)
HC36	Chain hangers (1 pair, 36" long)
THUN	Tong hanger
HRUNS1	Hooker® T-bar hanger (1-1/2" from ceiling)
CSMR48	Symmetric reflector, 4' white
CASR48	Asymmetric reflector 4' white
WGCUN	Wireguard, 4' white ³

NOTES:

- Electronic ballast 120-277V.
- Slimline only with full-wattage lamps.
- Order two for 8' fixtures. For strip channels only.

UNS T12, Electronic Ballasts

MOUNTING DATA

For unit or row installation, surface or suspended mounting. Use hanger appropriate for fixture width.

Unit installation — Minimum of two hangers required.

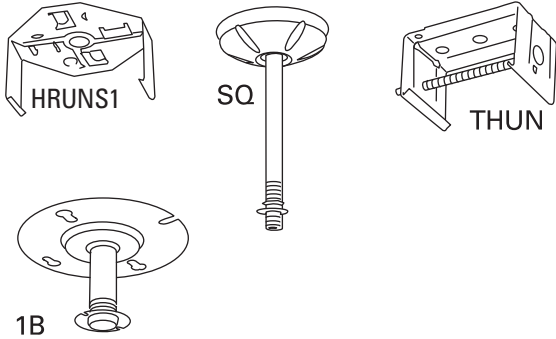
Row installation — One hanger per channel plus one per row required.

Hooker® (HRUNS1), HC36 and THUN Hangers — Minimum two per channel (unit and row).

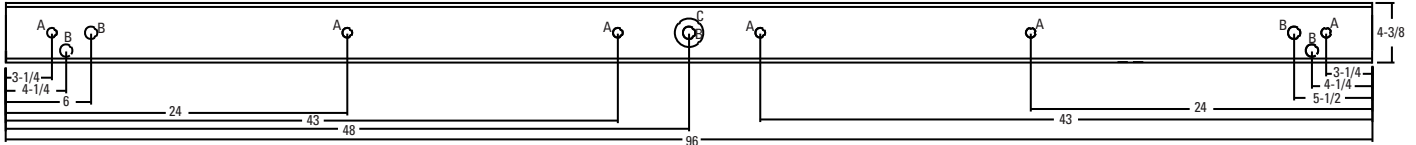
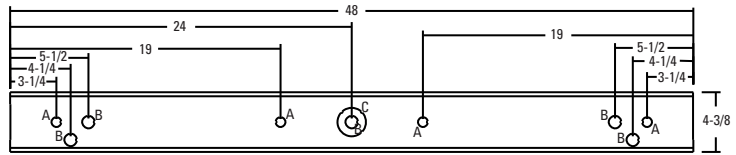
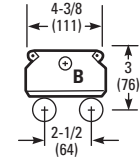
See ACCESSORIES below for hanging devices.

DIMENSIONS

Inches (millimeters). Subject to change without notice.



A = 11/16 (18) Dia. K.O.
 B = 7/8 (22) Dia. K.O.
 C = 2 (51) Dia. K.O.



PHOTOMETRICS

Calculated using the zonal cavity method in accordance with IESNA LM41 procedure. Floor reflectances are 20%. Lamp configurations shown are typical. All data based on 25°C. Full photometric data on these and other configurations available upon request.

UNS 2 96

Report: LTL12576

LUMENS PER LAMP: 6300

Luminaire Efficiency: 90.2%

Coefficients of Utilization

RCR	pf	20%										
		80%			50%			30%				
		pc	pw	70%	50%	30%	50%	30%	10%	50%	30%	10%
0	103	103	103	90	90	90	82	82	82			
1	92	86	82	75	72	69	68	66	63			
2	82	74	67	64	59	55	58	54	51			
3	74	64	56	56	49	44	51	46	41			
4	67	56	47	49	42	37	44	39	35			
5	62	49	41	43	37	31	39	34	29			
6	57	44	36	39	32	27	35	30	25			
7	52	40	32	35	28	24	32	26	22			
8	49	36	28	32	25	21	29	24	20			
9	45	33	25	29	23	19	27	21	18			
10	42	30	23	27	21	17	25	20	16			

Zonal Lumen Summary

Zone	Lumens	% Lamp	% Fixture
0° - 30°	1786	14.2	15.7
0° - 40°	3042	24.1	26.8
0° - 60°	5944	47.2	52.3
0° - 90°	9028	71.6	79.4
90° - 180°	2342	18.6	20.6
0° - 180°	11369	90.2	100.0