

# FEATURES

## OPTICAL

- Diffused anodized aluminum reflector
- Available with tempered prismatic lens (T73), flat Fresnel lens (FFL), flat Holophane lens (FHL) or, drop Holophane lens (DHL).

## DOOR

- Die-cast aluminum, gasketed, door frame available in flush white or regressed stepped baffle.
- Self-aligning butterfly door support springs.

## MECHANICAL

- Die-formed steel upper housing with white polyester powder paint and formed steel lower housing with matte black finish.
- Expandable mounting bars provide horizontal and vertical adjustment.
- Galvanized steel junction box with bottom-hinged access covers and spring latches. Two combination 1/2"-3/4" and three 1/2" knockouts for straight-through conduit runs. Capacity: 8 (4 in, 4 out) No. 12 AWG conductors rated for 90°C.

## ELECTRICAL

- Horizontally-mounted, medium-base porcelain socket with nickel-plated screw shell.
- Thermally-activated insulation detector.

## LISTING

- Fixtures are UL Listed for thru-branch wiring, recessed mounting and wet locations. Listed and labeled to comply with Canadian Standards (see Options).

\* Trade name of the Holophane Div. of Manville Products Corp.

Type

Catalog number

.....

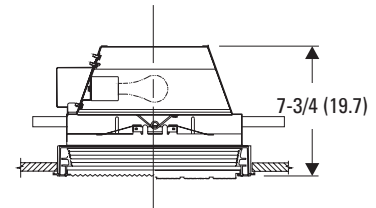
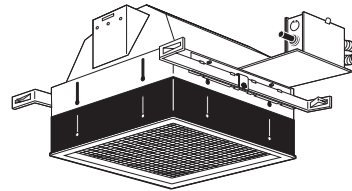
.....

## Incandescent Downlights

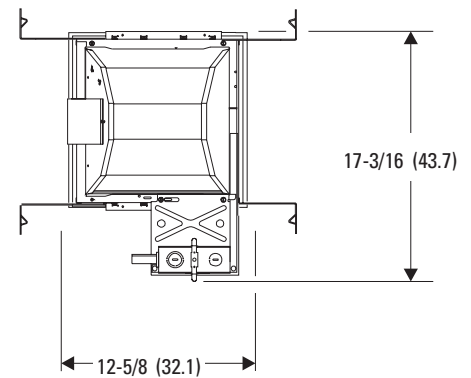
# 12" LA

## Square Lens

Wet Location  
Horizontal Lamp  
150W A21 or 200W A23



Aperture: 10-7/8 (27.6)  
Ceiling opening: 12-1/4 (31.1)  
Overlap trim: 12-5/8 (32.1)



All dimensions are inches (centimeters).

# ORDERING INFORMATION

Example: **LA 12FW T73**

Choose the boldface catalog nomenclature that best suits your needs and write it on the appropriate line. Order accessories as separate catalog numbers (shipped separately).

LA				
Series	Door frame	Shielding	Options	
LA <sup>1</sup>	<b>12FW</b> Flush white door <b>12SB</b> Stepped baffle	<b>T73</b> Prismatic lens <b>FFL</b> Flat Fresnel lens <b>FHL</b> Flat Holophane lens <b>DHL</b> Drop Holophane lens	<b>SDT</b> 277V stepdown transformer (277V to 120V). Adds 4" to width of fixture <b>SDT347</b> 347V stepdown transformer (347V to 120V). Adds 4" to width of fixture <b>TRDA</b> Tamper-resistant door assembly <b>LRC</b> Provides compatibility with Lithonia Reloc® System. Lithonia Reloc System can be installed less this option with connectors provided by others. Access above ceiling is required	<b>Accessories</b> Order as separate catalog numbers <b>BH24</b> 24" steel bar hangers (2) for T-bar mounting. <b>LSMC</b> Set of 4 T-bar mounting clips for use with bar hangers supplied with unit. (Not for use with BH24).

Notes:

1 Maximum wattage: 200W A21-IF or A23-IF lamp.

# 12" LA Square Lens

Distribution curve	Distribution data	Output data	Coefficient of utilization					Single luminaire data 30" above floor												
	From 0°	c.p.	Lumens	Zone	Lumens	%lamp	ρ	80%		20%		50%		10%						
							f	50%	30%	50%	30%	50%	30%	50%	30%					
							p	pw	pw	pw	pw	pw	pw	pw	pw					
	0°	1069		0°-30°	798	20.2	1	53	51	50	49	48	47	50% beam angle 59.4°						
	5°	1066	102	0°-40°	1242	31.5	2	48	45	45	43	43	41	10% beam angle 96.2°						
	15°	1009	286	0°-60°	1775	45.1	3	43	39	41	38	39	37	Mount height	Initial fc at beam center					
	25°	886	410	0°-90°	1979	50.2	4	39	35	37	34	36	33	Beam diameter	fc at beam edge					
	35°	707	444	90°-180°	0	0.0	5	35	31	34	30	33	30	Beam diameter	fc at beam edge					
	45°	428	332	0°-180°	1979	50.2*	6	32	28	31	27	30	27	8'	35.3	6.3'	17.7	12.3'	3.5	
	55°	225	200	* Fixture efficiency				7	29	25	28	25	28	25	10'	19.0	8.6'	8.0	16.7'	1.9
	65°	112	111				8	27	23	26	23	25	22	12'	11.8	10.8'	5.9	21.2'	1.2	
	75°	63	67				9	25	21	24	21	24	21	14'	8.1	13.1'	4.1	25.6'	0.8	
	85°	24	27				10	23	20	22	19	22	19	16'	5.9	15.4'	3.0	30.1'	0.6	
	90°	6																		

LA 12FW FFL, 200W/A23 lamp, 1.0 s/mh, 3940 rated Lumens, Test no. 2187040905

Distribution curve	Distribution data	Output data	Coefficient of utilization					Single luminaire data 30" above floor												
	From 0°	c.p.	Lumens	Zone	Lumens	%lamp	ρ	80%		20%		50%		10%						
							f	50%	30%	50%	30%	50%	30%	50%	30%					
							p	pw	pw	pw	pw	pw	pw	pw	pw					
	0°	1368		0°-30°	904	22.9	1	49	47	46	45	44	43	50% beam angle 51.5°						
	5°	1353	129	0°-40°	1318	33.5	2	44	42	42	40	41	39	10% beam angle 87.7°						
	15°	1182	335	0°-60°	1692	42.9	3	40	38	38	36	37	36	Mount height	Initial fc at beam center					
	25°	951	440	0°-90°	1785	45.3	4	37	34	35	33	34	32	Beam diameter	fc at beam edge					
	35°	660	414	90°-180°	0	0.0	5	34	31	33	30	32	30	Beam diameter	fc at beam edge					
	45°	328	254	0°-180°	1785	45.3*	6	31	28	30	27	29	27	8'	45.2	5.3'	22.6	10.6'	4.5	
	55°	134	120	* Fixture efficiency				7	29	26	28	25	27	25	10'	24.3	7.2'	12.2	14.4'	2.4
	65°	61	61				8	27	24	26	23	26	23	12'	15.2	9.1'	7.6	18.3'	1.5	
	75°	23	24				9	25	22	24	22	24	21	14'	10.3	11.0'	5.2	22.1'	1.0	
	85°	7	8				10	23	20	23	20	22	20	16'	7.5	13.0'	3.8	25.9'	0.8	
	90°	1																		

LA 12FW FHL, 200W/A23 lamp, 1.1 s/mh, 3940 rated Lumens, Test no. 2187040906

Distribution curve	Distribution data	Output data	Coefficient of utilization					Single luminaire data 30" above floor												
	From 0°	c.p.	Lumens	Zone	Lumens	%lamp	ρ	80%		20%		50%		10%						
							f	50%	30%	50%	30%	50%	30%	50%	30%					
							p	pw	pw	pw	pw	pw	pw	pw	pw					
	0°	1128		0°-30°	847	21.5	1	48	46	45	44	43	42	50% beam angle 57.5°						
	5°	1140	109	0°-40°	1269	32.2	2	43	41	41	39	40	38	10% beam angle 90.2°						
	15°	1108	314	0°-60°	1641	41.6	3	39	36	37	35	36	34	Mount height	Initial fc at beam center					
	25°	916	424	0°-90°	1754	44.5	4	36	33	34	32	33	31	Beam diameter	fc at beam edge					
	35°	672	422	90°-180°	0	0.0	5	33	30	32	29	31	28	Beam diameter	fc at beam edge					
	45°	322	249	0°-180°	1754	44.5*	6	30	27	29	26	28	26	8'	37.3	6.1'	18.7	11.0'	3.7	
	55°	137	123	* Fixture efficiency				7	28	25	27	24	26	24	10'	20.1	8.3'	10.1	15.0'	2.0
	65°	67	66				8	26	23	25	22	24	22	12'	12.5	10.5'	6.3	19.1'	1.3	
	75°	34	36				9	24	21	23	21	23	20	14'	8.5	12.7'	4.3	23.1'	0.9	
	85°	10	11				10	22	19	22	19	21	19	16'	6.2	14.9'	3.1	27.1'	0.6	
	90°	2																		

LA 12FW DHL, 200W/A23 lamp, 0.8 s/mh, 3940 rated Lumens, Test no. 2188063001

Distribution curve	Distribution data	Output data	Coefficient of utilization					Single luminaire data 30" above floor												
	From 0°	c.p.	Lumens	Zone	Lumens	%lamp	ρ	80%		20%		50%		10%						
							f	50%	30%	50%	30%	50%	30%	50%	30%					
							p	pw	pw	pw	pw	pw	pw	pw	pw					
	0°	1505		0°-30°	880	22.4	1	54	52	51	50	49	48	50% beam angle 44.5°						
	5°	1482	139	0°-40°	1244	31.6	2	49	47	46	44	45	43	10% beam angle 86.3°						
	15°	1207	341	0°-60°	1709	43.4	3	45	42	43	40	41	39	Mount height	Initial fc at beam center					
	25°	862	400	0°-90°	2001	50.8	4	41	38	39	37	38	36	Beam diameter	fc at beam edge					
	35°	575	364	90°-180°	0	0.0	5	38	34	36	33	35	33	Beam diameter	fc at beam edge					
	45°	349	275	0°-180°	2001	50.8*	6	35	31	34	31	33	30	8'	49.8	4.5'	24.9	10.3'	5.0	
	55°	207	190	* Fixture efficiency				7	32	29	31	28	30	28	10'	26.8	6.1'	13.4	14.1'	2.7
	65°	133	134				8	30	26	29	26	28	26	12'	16.7	7.8'	8.3	17.8'	1.7	
	75°	90	96				9	28	24	27	24	27	24	14'	11.4	9.4'	5.7	21.6'	1.1	
	85°	57	62				10	26	22	25	22	25	22	16'	8.3	11.0'	4.1	25.3'	0.8	
	90°	41																		

LA 12FW 16A, 200W/A23 lamp, 1.4 s/mh, 3940 rated Lumens, Test no. 2187090903

Distribution curve	Distribution data	Output data	Coefficient of utilization					Single luminaire data 30" above floor												
	From 0°	c.p.	Lumens	Zone	Lumens	%lamp	ρ	80%		20%		50%		10%						
							f	50%	30%	50%	30%	50%	30%	50%	30%					
							p	pw	pw	pw	pw	pw	pw	pw	pw					
	0°	869		0°-30°	762	19.3	1	54	52	51	49	49	48	50% beam angle 69.2°						
	5°	894	85	0°-40°	1246	31.6	2	48	46	46	44	44	43	10% beam angle 103.2°						
	15°	906	257	0°-60°	1913	48.5	3	44	40	41	39	40	38	Mount height	Initial fc at beam center					
	25°	907	420	0°-90°	1977	50.2	4	39	36	38	35	37	34	Beam diameter	fc at beam edge					
	35°	771	484	90°-180°	0	0.0	5	36	32	34	31	33	30	Beam diameter	fc at beam edge					
	45°	557	431	0°-180°	1977	50.2*	6	32	29	31	28	30	27	8'	28.7	7.6'	14.4	13.8'	2.9	
	55°	262	235	* Fixture efficiency				7	30	26	29	25	28	25	10'	15.4	10.4'	7.7	18.9'	1.6
	65°	49	48				8	27	23	26	23	26	23	12'	9.6	13.1'	4.8	24.0'	1.0	
	75°	10	11				9	25	21	24	21	24	21	14'	6.6	15.9'	3.3	29.0'	0.7	
	85°	5	5				10	23	19	22	19	22	19	16'	4.8	18.6'	2.4	34.1'	0.5	
	90°	3																		

## Conversion Factor

Use multiplier to determine candlepower, lumens and footcandles of other lamps.

150W = .72

Tested to current IES and NEMA standards under stabilized laboratory conditions. Various operating factors can cause differences between laboratory data and actual field measurements. Dimensions and specifications are based on the most current available data and are subject to change without notice.

## DINC-320

©2006Gotham, Rev. 08/06  
DINC-320.p65

gotham

An Acuity Brands Company

GOtham ARCHITECTURAL DOWNLIGHTING  
A DIVISION OF ACUITY LIGHTING GROUP, INC.  
1400 Lester Road Conyers Georgia 30012  
P 800 315 4982 F 770 860 3129  
www.gothamlighting.com