

FEATURES & SPECIFICATIONS

INTENDED USE — Ideal for applications where steel housings or metal lamp heads are a requirement.

CONSTRUCTION — 18-gauge steel housing finished in instrument tan color.

Hinged faceplate for easy maintenance.

Two 8-watt (ELT16, ELT24, ELT36) or 12-watt (ELT50) incandescent glass sealed-beam lamps in thermoplastic housings.

Dual-voltage input capability (120 or 277 volts)

BATTERY: Batteries are sealed, maintenance-free, lead-calcium with wattage capacities for 90 minutes of emergency operation. 16-watts (ELT16), 24-watts (ELT24), 36-watts (ELT36) and 50-watts (ELT50).

Low-voltage disconnect prevents excessively deep discharge that can permanently damage the battery.

ELECTRICAL — AC/LVD reset allows battery connection before AC power is applied and prevents battery damage from deep discharge.

Current limiting charger maximizes battery life and minimizes energy consumption.

Thermal protection senses circuitry temperature and adjust charge current to prevent overheating and charger failure.

Thermal compensation adjusts charger output to provide optimum charge voltage relative to ambient temperature.

LISTINGS — UL listed. Meets UL 924, NFPA 101, NEC and OSHA illumination standards.

WARRANTY — 3-year limited warranty. Complete warranty terms located at www.acuitybrands.com/CustomerResources/Terms_and_conditions.aspx

Actual performance may differ as a result of end-user environment and application.

Note: Specifications subject to change without notice.

Catalog Number
Notes
Type

TITAN®

Industrial Steel Emergency Lighting

ELT16, ELT24, ELT36, ELT50



Standard Lead-Calcium Battery
Optional Nickel-Cadmium

ORDERING INFORMATION

For shortest lead times, configure product using standard options (**shown in bold**)

Example: ELT36

Series	Input voltage ¹	Housing color	Lamp heads	Lamp type	Options
ELT16 16W/6V	(blank) 120V/277V	(blank) Instrument tan	(blank) Two heads	PAR36 sealed-beam	(blank) None
ELT24 24W/6V		W White	RO Less lamp heads	6 Volts	LD Load disconnect switch
ELT36 36W/6V			MT Metal lamp heads	(blank) 8W/6V incandescent	TD Integral time delay ^{3,5}
ELT50 50W/12V				H1206 12W/6V halogen	N Nickel-cadmium battery ²
				12 Volts	AM Ammeter ^{3,4}
				(blank) 12W/12V incandescent	VM Voltmeter ^{3,4}
				N2512 25W/12V incandescent	H 8W halogen lamps ⁶
				H1212 12W/12V halogen	NOM NOM Certified

NOTES:

- Other voltages available. Consult factory.
- N is not available with ELT36.
- ELT50 uses larger housing when ordered with these options (see ELT-125-180-275 spec sheet for larger housing dimensions).
- AM and VM must be ordered together.
- Available on ELT50 only.
- H option is an 8W lamp on the ELT24.
- See spec sheet [ELA-WG](#).
- See spec sheet [ELA-RTLP-MS-VS2](#).

Accessories

Order as separate catalog number.

ELA WG2	Small wireguard (16-50W) ⁷
ELA MST5	Mounting shelf (standard color instrument tan) ⁸

ELT16/ELT24/ELT36/ELT50 Industrial Steel Emergency Lighting

SPECIFICATIONS

ELECTRICAL Primary Circuit								
Type	AC Input			Output Volts	Watts Output ¹			
	Volts	Amps	Watts		1-1/2 hrs.	2 hrs.	3 hrs.	4 hrs.
ELT16	120	.163	16.6	6	16	12	8	6
	277	.069	16.4					
ELT24	120	.167	20	6	24	24	16	12
	277	.072	20					
ELT36	120	.172	17.8	6	36	27	18	13.5
	277	.075	18					
ELT50	120	.287	30	12	50	37	25	18
	277	.108	30					

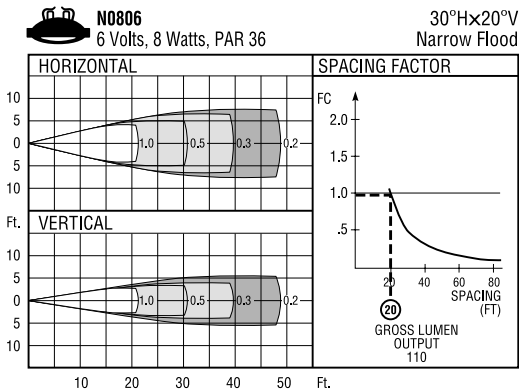
BATTERY Sealed Lead-Calcium					
	Voltage	Shelf life ¹	Typical life ¹	Maintenance ³	Optimum Temperature ⁴
ELT16	6	12 mos.	5-8 yrs.	none	60°-90°F
ELT24	6				
ELT36	6				
ELT50	6				
ELT50	12				

BATTERY Nickel-Cadmium					
	Voltage	Shelf life ¹	Typical life ¹	Maintenance ³	Optimum Temperature ⁴
ELT16	6	3 yrs.	10 yrs.	none	32°-100°F
ELT24	6				
ELT36	6				
ELT50	12				

NOTES

- Watts to 87.5% of nominal voltage.
- At 77°F (25°C).
- All life safety equipment, including emergency lighting for path of egress must be maintained, serviced, and tested in accordance with all National Fire Protection Association (NFPA) and local codes. Failure to perform the required maintenance, service, or testing could jeopardize the safety of occupants and will void all warranties.
- Optimum ambient temperature range where unit will provide rated capacity for 90 minutes. Higher and lower temperatures affect life and capacity. Consult factory for more details.

LAMP SPECIFICATIONS

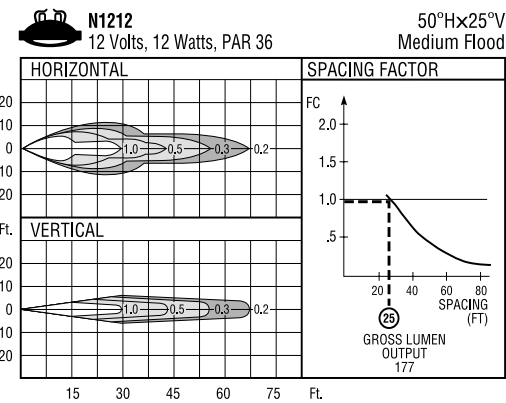
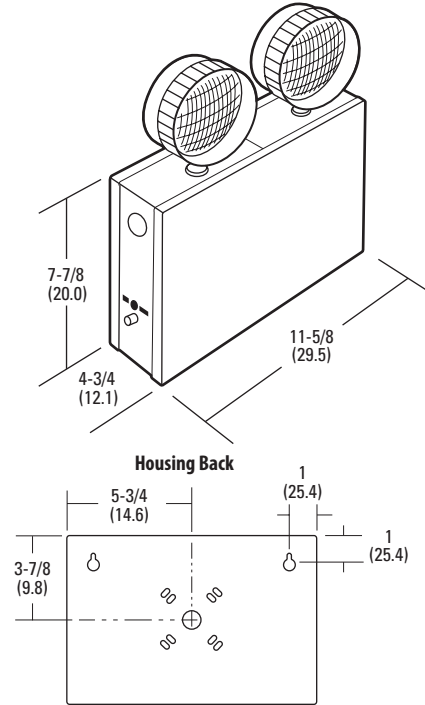


Spacing Factor:
Indicates the proper spacing between lamps to the chosen illuminance level (fc) ± 20%.
Footcandle Curves: Show distances in feet and isocurves in footcandles.

MOUNTING

Shipping weight:
ELT16 - 12.8 lbs. (5.8 kgs.)
ELT24 - 12.8 lbs. (5.8 kgs.)
ELT36 - 17.3 lbs. (7.8 kgs.)
ELT50 - 17.3 lbs. (7.8 kgs.)
ELT50 - (large housing) 30.5 lbs. (13.8 kgs.)*

* For ELT50 (large housing) dimensions, reference spec sheet #: ELT125-180-275



Spacing Factor:
Indicates the proper spacing between lamps to the chosen illuminance level (fc) ± 20%.
Footcandle Curves: Show distances in feet and isocurves in footcandles.