

FEATURES & SPECIFICATIONS

INTENDED USE — Ideal where high brightness and good illumination levels are required such as retail, light industrial and warehouses.

Attributes: Available in one lamp or two lamp configuration.

CONSTRUCTION — Heavy-duty channel, die-formed from code-gauge steel.

Sturdy channel cover secured by captive quarter-turn latch for easy access to wireway.

Combination endplate/channel connector furnished with each fixture.

Finish: Five-stage iron phosphate pretreatment ensures superior paint adhesion and rust resistance. Painted parts finished with high-gloss, baked white enamel.

ELECTRICAL — Thermally protected, resetting, Class P, UL Listed and CSA Certified ballast is standard. Sound rating depends on lamp/ballast combination.

AWM, TFN, THHN wire throughout, rated for required temperatures.

INSTALLATION — For unit or row installations, surface or suspended mounting.

LISTINGS — UL listed to US and Canadian safety standards. Optional: Mexico NOM.

Damp location listed.

Listed for 25 degree C ambient temperature.

WARRANTY — 1-year limited warranty. Complete warranty terms located at www.acuitybrands.com/CustomerResources/Terms_and_conditions.aspx.

Note: Specifications subject to change without notice.

Actual performance may differ as a result of end-user environment and application.

Catalog Number
Notes
Type

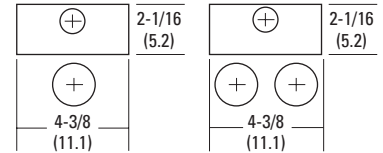


General-Purpose Strip

2', 3', 4', 6' and 8' length
1 or 2 lamps

Specifications

Length:	24" (61.0)
	36" (91.4)
	48" (121.9)
	72" (182.9)
	96" (243.8)
Width:	4-3/8" (11.1)
Fixture Depth:	2-1/16" (5.2)



All dimensions are inches (centimeters) unless otherwise specified.

ORDERING INFORMATION

Lead times will vary depending on options selected. Consult with your sales representative.

Example: C 2 32 MVOLT GEB10IS

Series	Number of lamps	Lamp type	Voltage																																																													
C General-purpose strip	1	T8	MVOLT ²																																																													
For tandem double length unit, add prefix T. Example: TC	2 lamp not included	<table border="0"> <tr> <td>17</td> <td>17W T8 (24")</td> <td>36</td> <td>30W slimline (36")</td> <td>HO</td> <td>24HO</td> <td>35W T12 800mA (24")¹</td> </tr> <tr> <td>25</td> <td>25W T8 (36")</td> <td>48</td> <td>38W slimline (48")</td> <td>36HO</td> <td>36HO</td> <td>45W T12 800mA (36")¹</td> </tr> <tr> <td>32</td> <td>32W T8 (48")</td> <td>72</td> <td>55W slimline (72")</td> <td>48HO</td> <td>48HO</td> <td>60W 800mA (48")</td> </tr> <tr> <td>48T8</td> <td>38W T8 (48")</td> <td>96</td> <td>75W slimline (96")</td> <td>48T8HO</td> <td>44W T8 (48")</td> <td>48T8HO</td> <td>44W T8 (48")</td> </tr> <tr> <td>96T8</td> <td>59W T8 slimline (96")</td> <td></td> <td></td> <td>72HO</td> <td>85W 800mA (72")</td> <td>72HO</td> <td>85W 800mA (72")</td> </tr> <tr> <td></td> <td></td> <td></td> <td></td> <td>72T8HO</td> <td>65W T8 (72")</td> <td>72T8HO</td> <td>65W T8 (72")</td> </tr> <tr> <td></td> <td></td> <td></td> <td></td> <td>96HO</td> <td>110W 800mA (96")</td> <td>96HO</td> <td>110W 800mA (96")</td> </tr> <tr> <td></td> <td></td> <td></td> <td></td> <td>96T8HO</td> <td>86W 380mA (96")</td> <td>96T8HO</td> <td>86W 380mA (96")</td> </tr> </table>	17	17W T8 (24")	36	30W slimline (36")	HO	24HO	35W T12 800mA (24") ¹	25	25W T8 (36")	48	38W slimline (48")	36HO	36HO	45W T12 800mA (36") ¹	32	32W T8 (48")	72	55W slimline (72")	48HO	48HO	60W 800mA (48")	48T8	38W T8 (48")	96	75W slimline (96")	48T8HO	44W T8 (48")	48T8HO	44W T8 (48")	96T8	59W T8 slimline (96")			72HO	85W 800mA (72")	72HO	85W 800mA (72")					72T8HO	65W T8 (72")	72T8HO	65W T8 (72")					96HO	110W 800mA (96")	96HO	110W 800mA (96")					96T8HO	86W 380mA (96")	96T8HO	86W 380mA (96")	120 277 347 Others available
17	17W T8 (24")	36	30W slimline (36")	HO	24HO	35W T12 800mA (24") ¹																																																										
25	25W T8 (36")	48	38W slimline (48")	36HO	36HO	45W T12 800mA (36") ¹																																																										
32	32W T8 (48")	72	55W slimline (72")	48HO	48HO	60W 800mA (48")																																																										
48T8	38W T8 (48")	96	75W slimline (96")	48T8HO	44W T8 (48")	48T8HO	44W T8 (48")																																																									
96T8	59W T8 slimline (96")			72HO	85W 800mA (72")	72HO	85W 800mA (72")																																																									
				72T8HO	65W T8 (72")	72T8HO	65W T8 (72")																																																									
				96HO	110W 800mA (96")	96HO	110W 800mA (96")																																																									
				96T8HO	86W 380mA (96")	96T8HO	86W 380mA (96")																																																									

Options			
GEB	Electronic ballasts, ≤20%THD ⁴	EL	Emergency battery pack (nominal 300 lumens) ⁶
GEB10IS	Electronic ballasts, ≤10%THD, instant start ²	GLR	Internal fast-blow fuse (add X for external) ⁶
GEB10RS	Electronic ballast, ≤10%THD, rapid start ³	GMF	Internal slow-blow fuse (add X for external) ⁶
GEB10PS	Electronic ballast, ≤10%THD, programmed start	PLR_	Plug-in wiring; specify 1, 2, or 3 branch circuits and hot wires (A = Black, B = Red, C = Blue, AB or AC)
BILP	High-efficiency ballast, .78bf (low), instant start	TILW	Tandem in-line wiring
BINP	T8 high-performance ballast, .88bf (normal), instant start	CSA	CSA Certified (only required for 347V)
BIHP	T8 high-performance ballast, 1.20bf (high), instant start	NOM	NOM Certified
1/4	One four-lamp ballast ⁵	AL	Aluminum housing; white enamel finish

Accessories: Order as separate catalog number.			
SQ_	Swivel stem hanger (specify length in 2" increments)	HRC1°	Hooker T-bar hanger (1-1/2" from ceiling)
1B	Ceiling spacer (adjusts from 1-1/2" to 2-1/2" from ceiling)	WGCSMR48	Wireguard, 4' white for symmetric reflector ⁷
CONLGC	12" screw-on channel connector	WGCASR48	Wireguard, 4' white for asymmetric reflector ⁷
WGCUN NST	Wireguard, 4' white ⁷	CSMR 48	Symmetric reflector, 4' white, 7" aperture ⁷
HC36	Chain hangers (1 pair, 36" long)	CASR 48	Asymmetric reflector, 4' white, 5-3/4" wide ⁷
HRC°	Hooker T-bar hanger (flush to ceiling)		

Notes

1. Only available with AL option.
2. MVOLT standard for 120-277V applications, 50-60 mhz operation. Some options require voltage specified.
3. 347V, slimline lamps only.
4. Slimline and HO lamps only.
5. Not available in slimline.
6. Specify voltage.
7. Order two for 8' fixtures.

C General-Purpose Strip

MOUNTING DATA

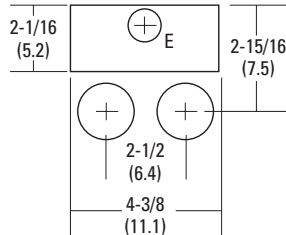
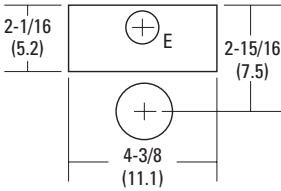
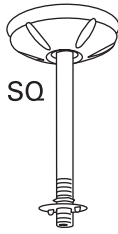
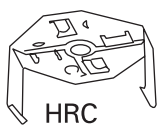
For unit or row installation, surface or suspended mounting.

Unit installation — Minimum of two hangers required.

Row installation — Two hangers per channel required one per fixture plus one per row of CONLGC installed.

Hooker® (HRC) and (HC) Hangers - minimum two per channel (unit and row).

See ACCESSORIES below for hanging devices.



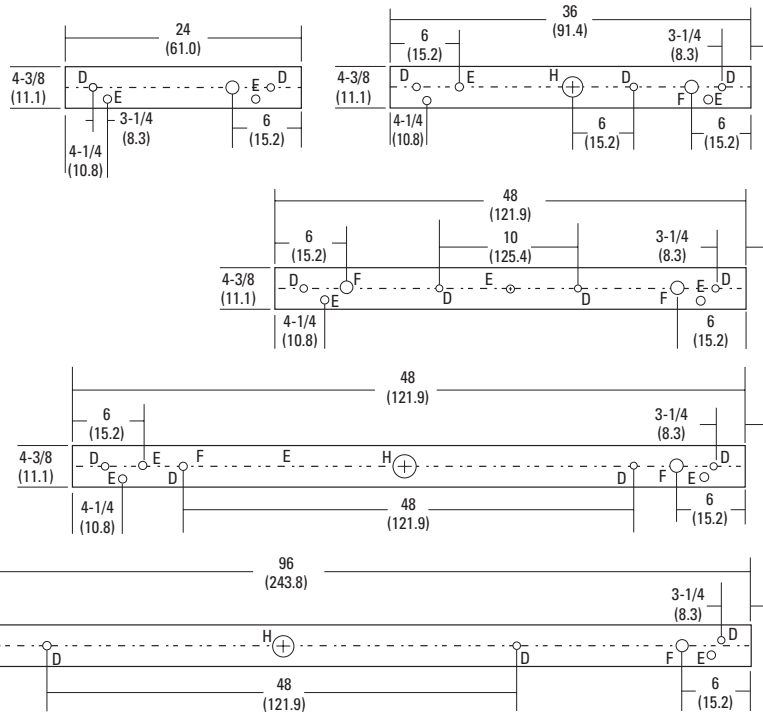
D = 11/16 (17) Dia.K.O.
E = 7/8 (22) Dia.K.O.
F = 1-1/4 (32) Dia.K.O.
H = 2 (51) Dia.K.O.

DIMENSIONS

All dimensions in inches (centimeters) unless otherwise specified. Subject to change without notice.

48", 72", and 96" have only two 7/8" K.O.'s 6" from each end.

24" and 36" have only two 7/8" K.O.'s 3-1/4" from each end.



PHOTOMETRICS

Calculated using the zonal cavity method in accordance with IESNA LM41 procedure. Floor reflectances are 20%. Lamp configurations shown are typical.

All data based on 25°C. Full photometric data on these and other configurations available upon request.

C 2 32

TEST NO: LTL 5181

LUMENS PER LAMP: 2900

C 2 96

TEST NO: LTL 18310

LUMENS PER LAMP: 6300

RCR	Coefficients of Utilization								
	20%			50%			80%		
	50%	30%	10%	50%	30%	10%	50%	30%	10%
0	106	106	106	102	102	102	93	93	93
1	89	84	79	85	80	76	78	74	71
2	76	68	62	72	66	60	66	61	56
3	65	57	50	62	55	49	57	51	45
4	57	48	42	55	47	40	50	43	38
5	51	42	35	48	40	34	44	37	32
6	45	36	30	43	35	29	40	33	28
7	41	32	26	39	31	25	36	29	24
8	37	29	23	35	28	22	33	26	21
9	34	26	20	32	25	20	30	23	19
10	31	23	18	30	23	18	28	21	17

RCR	Coefficients of Utilization								
	20%			50%			80%		
	50%	30%	10%	50%	30%	10%	50%	30%	10%
0	103	103	103	98	98	98	90	90	90
1	86	82	78	82	78	74	75	72	69
2	74	67	61	70	64	59	64	59	55
3	64	56	49	61	54	48	56	49	44
4	56	47	41	53	46	40	49	42	37
5	49	41	35	47	39	34	43	37	31
6	44	36	30	42	34	29	39	32	27
7	40	32	26	38	30	25	35	28	24
8	36	28	23	35	27	22	32	25	21
9	33	25	20	32	25	20	29	23	19
10	30	23	18	29	22	18	27	21	17

Zonal Lumen Summary		
Zone	Lumens % Lamp	% Fixture
0° - 30°	842.1 14.5	15.6
0° - 40°	1435.8 24.8	26.7
0° - 60°	2810.1 48.4	52.2
0° - 90°	4362.5 75.2	81.0
90° - 180°	1021.0 17.6	19.0
0° - 180°	5383.6 92.8	100.0

Zonal Lumen Summary		
Zone	Lumens % Lamp	% Fixture
0° - 30°	1785.8 14.2	15.7
0° - 40°	3042.4 24.1	26.8
0° - 60°	5944.0 47.2	52.3
0° - 90°	9027.5 71.6	79.4
90° - 180°	2341.8 18.6	20.6
0° - 180°	11369.4 90.2	100.0

Energy (Calculated in accordance with NEMA standard LE-5)					
LER.FL	ANNUAL ENERGY COST*	LAMP DESCRIPTION	LAMP LUMENS	BALLST FACTOR	WATTS
86.2	\$2.79	(2) T8 F32	2900	.88	55

*Comparative yearly lighting energy cost per 1000 lumens.

Energy (Calculated in accordance with NEMA standard LE-5)						
ORDERING INFORMATION	LER.FL	ANNUAL ENERGY COST*	LAMP DESCRIPTION	LAMP LUMENS	BALLAST FACTOR	WATTS
C 2 32 MVOLT GEB10IS	77.6	\$3.09	F32T8/735	2800	.88	59
C 2 32 MVOLT BILP	93.6	\$2.56	F32T8/835/HT8	3100	.78	48

*Comparative yearly lighting energy cost per 1000 lumens.